

IP67



Technische Daten
Schutzklasse : IP67
Temperaturbereich :
ASA* -30 ~ +60°C
ABS -10 ~ +50°C

Technical Data
Protection class : IP67
Operating temperature :
ASA* -30 ~ +60°C
ABS -10 ~ +50°C

Serie WP - IP67 Netzwerk Kunststoffgehäuse

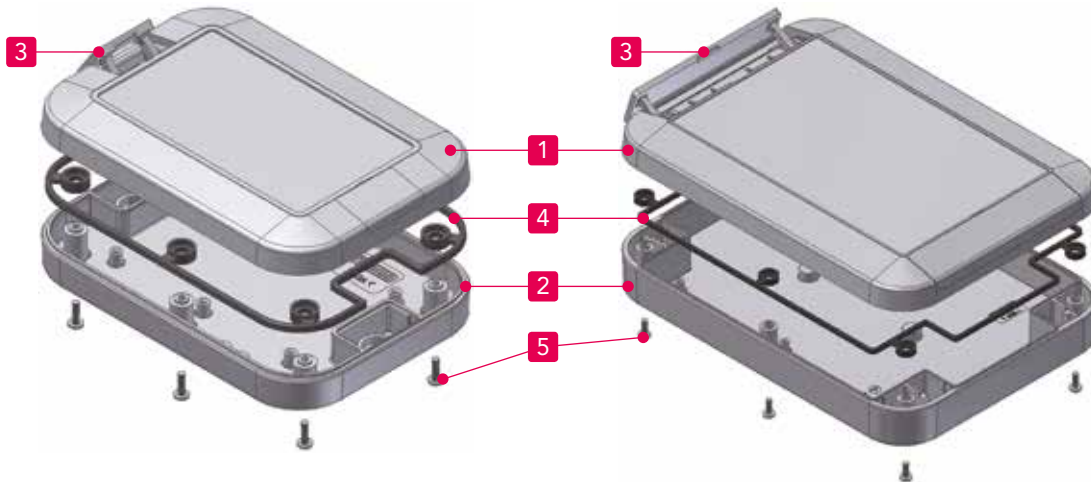
Series WP IP67 Network Plastic Box

- Schutzklasse IP67. Ideal für den Außeneinsatz; schützt die Bauteile gegen eindringen von Staub und Wasser.
- Verfügbar in zwei Ausführungen: UV resistent durch ASA Material in weiß-grau und Feuer resistent durch ABS Material in grau.
- 8 neue Typen ergeben in Summe 24 wählbare Gehäusegrößen.
- Einfache Wandmontage durch verdeckte Schrauböffnungen.
- Mastmontage durch optionales Zubehör möglich.

- IP67 protection class allows the unit to be used outdoors while protecting the internal components from dust and water.
- Available in 2 types : UV-resistant ASA in white gray color, and flame-resistant ABS in charcoal gray color.
- Addition of 8 sizes for a total of 24 different selectable sizes.
- Mount on walls or brackets by simply opening the blind lids.
- Pole mounting is possible via an optional pole mounting bracket accessory.

WP5-7-2 ~ WP13-18-5

WP15-15-4 ~ WP20-28-7

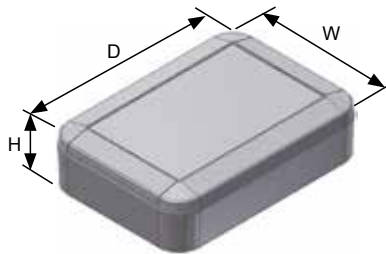


Komponenten

Nr.	Bezeichnung	Stück	Oberfläche / Farbe
1	Deckel	1	ASA UL94HB / hellgrau : Feuerresistent ABS UL94V-0 / dunkelgrau
2	Boden	1	ASA UL94HB / hellgrau : Feuerresistent ABS UL94V-0 / dunkelgrau
3	Blinddeckel	2	ASA UL94HB / hellgrau : Feuerresistent ABS UL94V-0 / dunkelgrau
4	Dichtung	1	Silikon / schwarz
5	Schraube	4 ~ 8	Edelstahl / unbehandelt

Components

No.	Part name	Pcs	Material / Color
1	Top cover	1	ASA UL94HB / White gray : Flame-resistant ABS UL94V-0 / Charcoal gray
2	Bottom base	1	ASA UL94HB / White gray : Flame-resistant ABS UL94V-0 / Charcoal gray
3	Blind lids	2	ASA UL94HB / White gray : Flame-resistant ABS UL94V-0 / Charcoal gray
4	Gasket	1	Silicone / Black
5	Screw	4 ~ 8	Stainless steel binding head screw / Unfinished



Best-Nr. / Maße - Product no. / Dimensions

Best-Nr.		Maße			Gewicht (g)	Schraube	empfohlenes Drehmoment (N • m)	
hellgrau (ASA)	dunkelgrau (ABS)	W	D	H			Gehäusemontage	PCB Montage
Product no.		Dimensions			Weight (g)	Screw	Recommended torque (N • m)	
hellgrau (ASA)	dunkelgrau (ABS)	W	D	H			Box Assembling	PCB Mounting
WP 5- 7-2G	WP 5- 7-2C	52	65	18	31.5	M2-8 x 4 pcs	0.2 ~ 0.25	0.12 ~ 0.15
WP 5- 7-3G	WP 5- 7-3C	52	65	27	39.5	M2-8 x 4 pcs	0.2 ~ 0.25	0.12 ~ 0.15
WP 6- 8-2G	WP 6- 8-2C	60	80	20	41.5	M2-8 x 4 pcs	0.25 ~ 0.3	0.12 ~ 0.15
WP 6- 8-3G	WP 6- 8-3C	60	80	30	49	M2-8 x 4 pcs	0.25 ~ 0.3	0.12 ~ 0.15
WP 8- 8-2G	WP 8- 8-2C	75	75	22	57.5	M2.5-8 x 4 pcs	0.25 ~ 0.35	0.12 ~ 0.15
WP 8- 8-4G	WP 8- 8-4C	75	75	35	88.5	M2.5-16 x 4 pcs	0.25 ~ 0.35	0.12 ~ 0.15
WP 8-10-2G	WP 8-10-2C	75	100	22	74	M2.5-8 x 4 pcs	0.25 ~ 0.35	0.12 ~ 0.15
WP 8-10-4G	WP 8-10-4C	75	100	35	95	M2.5-16 x 4 pcs	0.25 ~ 0.35	0.12 ~ 0.15
WP 9-13-3G	WP 9-13-3C	90	130	25	113	M2.5-8 x 6 pcs	0.25 ~ 0.35	0.2 ~ 0.25
WP 9-13-4G	WP 9-13-4C	90	130	40	141	M2.5-16 x 6 pcs	0.25 ~ 0.35	0.2 ~ 0.25
WP10-10-3G	WP10-10-3C	100	100	25	96	M2.5-8 x 4 pcs	0.25 ~ 0.35	0.2 ~ 0.25
WP10-10-4G	WP10-10-4C	100	100	40	121	M2.5-16 x 4 pcs	0.25 ~ 0.35	0.2 ~ 0.25
WP11-15-3G	WP11-15-3C	110	150	27	153	M2.5-8 x 6 pcs	0.25 ~ 0.35	0.2 ~ 0.25
WP11-15-4G	WP11-15-4C	110	150	40	181	M2.5-16 x 6 pcs	0.25 ~ 0.35	0.2 ~ 0.25
WP13-18-3G	WP13-18-3C	130	175	30	225	M2.5-8 x 6 pcs	0.25 ~ 0.35	0.2 ~ 0.25
WP13-18-5G	WP13-18-5C	130	175	45	266	M2.5-16 x 6 pcs	0.25 ~ 0.35	0.2 ~ 0.25
NEW WP15-15-4G	NEW WP15-15-4C	150	150	40	239	M3-8 x 4 pcs	0.35 ~ 0.45	0.2 ~ 0.3
NEW WP15-15-6G	NEW WP15-15-6C	150	150	55	282.5	M3-8 x 4 pcs	0.35 ~ 0.45	0.2 ~ 0.3
NEW WP15-21-4G	NEW WP15-21-4C	150	210	40	323	M3-8 x 6 pcs	0.35 ~ 0.45	0.2 ~ 0.3
NEW WP15-21-6G	NEW WP15-21-6C	150	210	55	367.5	M3-8 x 6 pcs	0.35 ~ 0.45	0.2 ~ 0.3
NEW WP20-20-5G	NEW WP20-20-5C	200	200	45	434	M3-8 x 8 pcs	0.35 ~ 0.45	0.2 ~ 0.3
NEW WP20-20-7G	NEW WP20-20-7C	200	200	65	505	M3-8 x 8 pcs	0.35 ~ 0.45	0.2 ~ 0.3
NEW WP20-28-5G	NEW WP20-28-5C	200	280	45	557.5	M3-8 x 8 pcs	0.35 ~ 0.45	0.2 ~ 0.3
NEW WP20-28-7G	NEW WP20-28-7C	200	280	65	646	M3-8 x 8 pcs	0.35 ~ 0.45	0.2 ~ 0.3

Zubehör (optional erhältlich) Accessories (optional parts)



Masthalterung Serie WPMB
Pole mount bracket WPMB series



GummifüÙe Serie PFRF
Rubber feet PFRF series



TORX Schraube Serie MR
TORX screw MR series



PCB Montageschraube Serie EM
PCB mounting screw EM series



Entlüftung Serie PMF
Protective vent PMF series



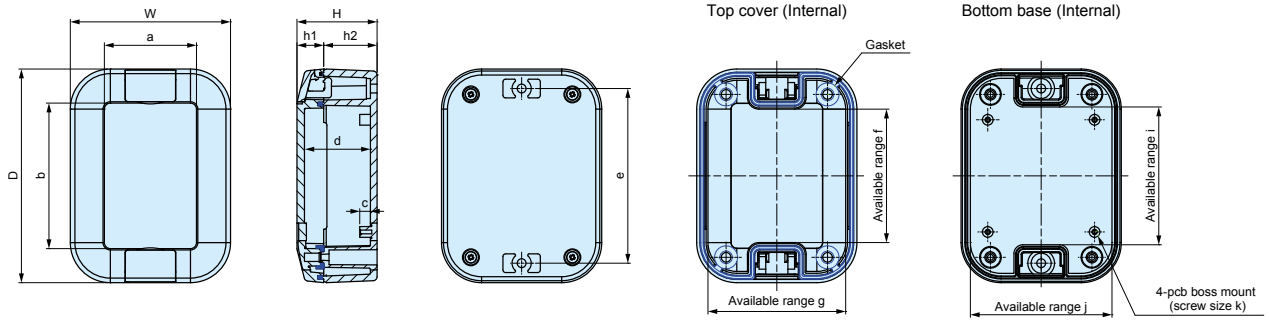
Kabelverschraubung
Cable gland



Mastgurt Serie PKB
Pole mounting belt PKB series

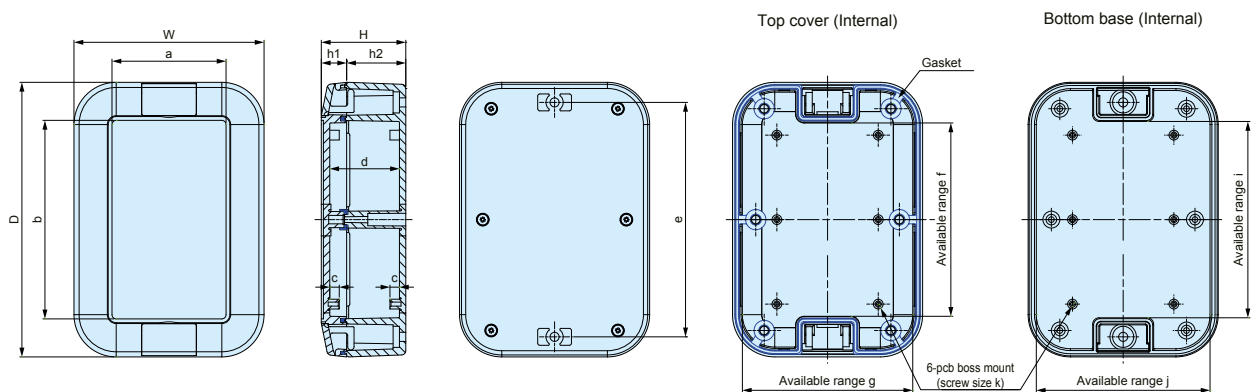
WP Maße

WP dimensions



※ Boss for PCB are located inside top covers of certain models. Detailed information available on DXF/DWG/PDF drawings.

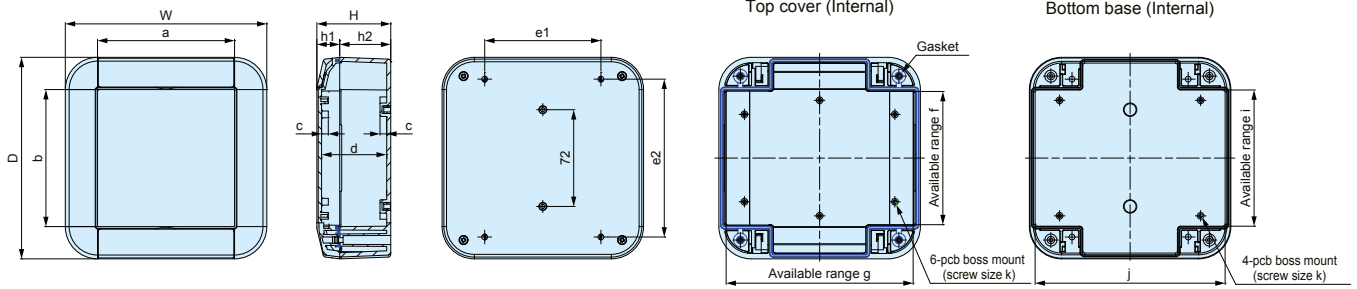
Best-Nr. Product no.	W	D	H	h1	h2	a	b	c	d	e	f	g	i	j	k
WP 5- 7-2	52	65	18	10	8	26.5	38.8	4	13	50.6	34.5	43.5	37	46	M2
WP 5- 7-3	52	65	27	10	17	26.5	38.8	4	22	50.8	34.5	43.5	36.5	45	M2
WP 6- 8-2	60	80	20	10	10	34.5	53.8	4	14.7	65.8	50	51.5	52	53.5	M2
WP 6- 8-3	60	80	30	10	20	34.5	53.8	4	24.7	65.4	50	51.5	51	53	M2
WP 8- 8-2	75	75	22	10	12	49.5	48.8	4	16.4	60.6	44	66	42	67	M2
WP 8- 8-4	75	75	35	10	25	49.5	48.8	4	29.4	60.4	43	66	42	66	M2
WP 8-10-2	75	100	22	10	12	46	71	4	16	85.6	69	66	67	67	M2
WP 8-10-4	75	100	35	10	25	46	71	4	29	85.4	69	66	67	66	M2
WP10-10-3	100	100	25	12	13	63.8	63.7	4.5	18	81.2	60	89	61	90	M2.3
WP10-10-4	100	100	40	12	28	63.8	63.7	4.5	33	81	60	89	61	90	M2.3



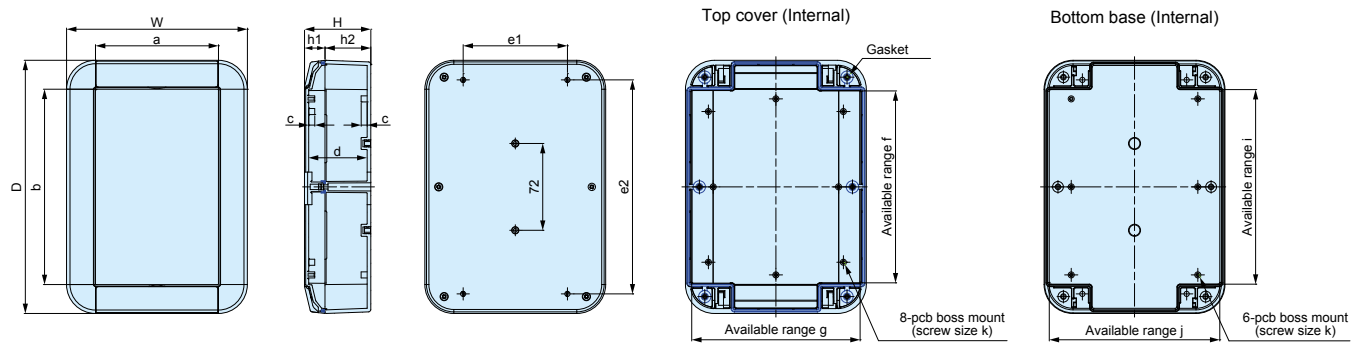
Best-Nr. Product no.	W	D	H	h1	h2	a	b	c	d	e	f	g	i	j	k
WP 9-13-3	90	130	25	12	13	53.8	93.7	4.5	18	111.2	90	79	91	81	M2.3
WP 9-13-4	90	130	40	12	28	53.8	93.7	4.5	33	111	90	79	91	81	M2.3
WP11-15-3	110	150	27	12	15	73.7	113.5	4.5	20	131.2	110	99	110	100	M2.3
WP11-15-4	110	150	40	12	28	73.7	113.5	4.5	33	131	110	99	110	100	M2.3
WP13-18-3	130	175	30	12	18	93.8	138.8	4.5	23	156.2	136	120	135	120	M2.3
WP13-18-5	130	175	45	12	33	93.8	138.8	4.5	38	156.2	136	120	135	120	M2.3

WP Maße

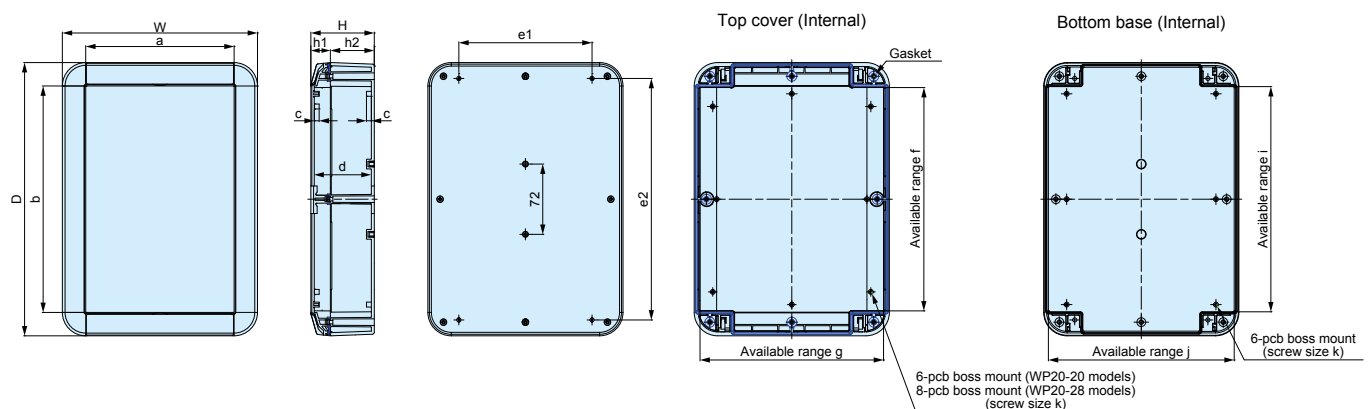
WP dimensions



Best-Nr. Product no.	W	D	H	h1	h2	a	b	c	d	e1	e2	f	g	i	j	k
WP15-15-4	150	150	40	17	23	102	102	5	33.5	86.5	117.5	99	139	100	141	M2.6
WP15-15-6	150	150	55	17	38	102	102	5	48.5	86.5	117.5	99	139	100	140	M2.6



Best-Nr. Product no.	W	D	H	h1	h2	a	b	c	d	e1	e2	f	g	i	j	k
WP15-21-4	150	210	40	17	23	102	162	5	33.5	86.5	177.5	159	139	160	141	M2.6
WP15-21-6	150	210	55	17	38	102	162	5	48.5	86.5	177.5	159	139	160	140	M2.6



Best-Nr. Product no.	W	D	H	h1	h2	a	b	c	d	e1	e2	f	g	i	j	k
WP20-20-5	200	200	45	20	25	152	152	5	38.5	136.5	167.5	148	187	150	190	M2.6
WP20-20-7	200	200	65	20	45	152	152	5	58.5	136.5	167.5	148	187	149	189	M2.6
WP20-28-5	200	280	45	20	25	152	232	5	38.5	136.5	247.5	227	187	230	190	M2.6
WP20-28-7	200	280	65	20	45	152	232	5	58.5	136.5	247.5	227	187	229	189	M2.6

Serie WPMB Masthalterung

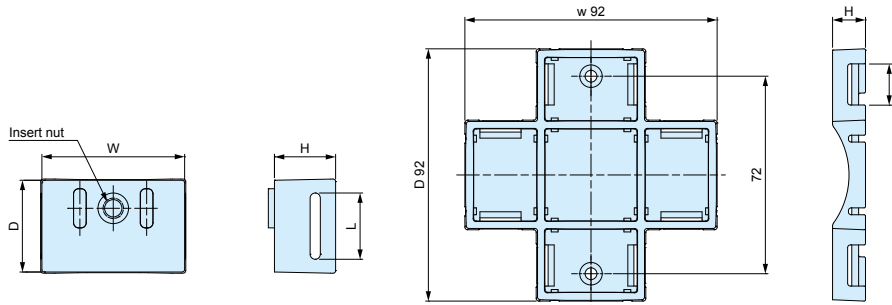
← NEW SIZE →

Series WPMB Pole mount bracket



- Masthalterung hergestellt aus wetterresistentem ASA Material.
- Befestigungsbohrungen für die Halterungen sind nicht erforderlich um die Schutzklasse zu behalten.
- WPMB-M4-2 geeignet für vertikale und horizontale Installation.
- Zusammen mit der Serie WPMB und Serie PKB können die Gehäuse an einem Mast befestigt werden.

- Pole mount bracket made from weather resistant ASA material.
- Hole milling is not required when installing the mount bracket, thus allowing the enclosure to maintain its IP67 protection.
- WPMB-M4-2 can be used both for vertical and horizontal installation.
- Together with WPMB series, the PKB series mounting belt enables the unit to be mounted onto a pole.



WPMB-M3 □ WPMB-M4

WPMB-M4-2

Farbvarianten

Code	Farbe
G	hellgrau
D	dunkelgrau

Color Type

Code	Color
G	white gray
D	dark gray

Best-Nr. / Maße Product no. / Dimensions

- Bitte vervollständigen Sie die Bestellnummer mit dem Farbcode am Ende.
- Please suffix color code at the end of the product number.

Best-Nr. Product no.	Maße - Dimensions				Material/ Oberfläche Material / Finish	Schraube Screw	Geeignetes Gehäuse Suitable enclosures	Empfohlenes Drehmoment Recommended torque (N • m)	Gewicht Weight (g)	VPE Pack of
	W	D	H	L						
NEW WPMB-M3 □	18	14	9.5	11	ASA UL94HB	Edelstahl Stainless steel M3-6 x 2 pcs	WP5-7-2 • 5-7-3 • 6-8-2 • 6-8-3 • 8-8-2 • 8-8-4 • 8-10-2 • 8-10-4	0.4 ~ 0.45	3	2 (pair)
WPMB-M4 □	28	18	12	13	ASA UL94HB	Edelstahl Stainless steel M4-8 x 2 pcs	WP9-13-3 • 9-13-4 • 10-10-3 • 10-10-4 • 11-15-3 • 11-15-4 • 13-18-3 • 13-18-5	0.45 ~ 0.5	10	2 (pair)
WPMB-M4-2 □	92	92	12	13	ASA UL94HB	Edelstahl Stainless steel M4-6 x 2 pcs	WP15-15-4 • 15-15-6 • 15-21-4 • 15-21-6 • 20-20-5 • 20-20-7 • 20-28-5 • 20-28-7	0.45 ~ 0.5	24	1

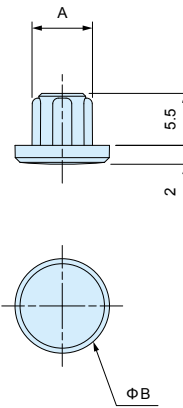
WPMB-M3/WPMB-M4

WPMB-M4-2



Serie PFRF - GummifüÙe (optional erhältlich)

Series PFRF - rubber feet (optional parts)



- GehäusefüÙe empfohlen für Desktopanwendungen.
- Keine zusätzlichen Bohrungen erforderlich um die Schutzklasse zu behalten.
- Hergestellt aus Elastomer Material.
- Nicht verfügbar für Serien WP5-7-2, 5-7-3, 6-8-2, and 6-8-3.

- Recommended to be used with WP series as a desktop-type unit.
- No additional hole milling required as the rubber feet fits snugly into the screw holes.
- Made from elastomer material.
- Unavailable for use with WP5-7-2, 5-7-3, 6-8-2, and 6-8-3 models.

Best-Nr. / Maße - Product no. / Dimensions

■ UL94HB

Best-Nr. Product no.	MaÙe Dimensions		Material	Farbe Color	Geeignetes Gehäuse Suitable enclosures	VPE Pack of
	A	B				
PFRF-M2.5D	6.4	10	Elastomer UL94HB	dunkelgrau Dark gray	WP models: 8-8-2 • 8-8-4 • 8-10-2 • 8-10-4 • 9-13-3 • 9-13-4 • 10-10-3 • 10-10-4 • 11-15-3 • 11-15-4 • 13-18-3 • 13-18-5	4
PFRF-M3D	7.2	11	Elastomer UL94HB	dunkelgrau Dark gray	WP models: 15-15-4 • 15-15-6 • 15-21-4 • 15-21-6 • 20-20-5 • 20-20-7 • 20-28-5 • 20-28-7	4

Serie MR Torx Schraube für WP



Series MR Torx screw for WP



Head type (with pin)



Pin

- Geeignet für manipulationssichere Anwendungen.
- Benötigt einen speziellen Antrieb.
- Nicht geeignet für Serien WP5-7-2, 5-7-3, 6-8-2, and 6-8-3.

- Recommended to be used for tamper resistance, or for an elegant look and feel.
- Requires the use of a specialized screwdriver.
- Unavailable for use with WP5-7-2, 5-7-3, 6-8-2, and 6-8-3 models.

Best-Nr. / Maße - Product no. / Dimensions

Best-Nr. Product no.	MaÙe Dimensions		TORX Kopf-Nr. TORX head no.	Material	Oberfläche Finish	Geeignetes Gehäuse Suitable enclosures	VPE Pack of
	M	L					
MR2.5-8ST	2.5	8	T 8 (with pin)	Edelstahl Stainless steel	unbehandelt Unfinished	WP8-8-2 • 8-10-2 • 9-13-3 • 10-10-3 • 11-15-3 • 13-18-3 / WSC series	20
MR2.5-16ST	2.5	16	T 8 (with pin)	Edelstahl Stainless steel	unbehandelt Unfinished	WP8-8-4 • 8-10-4 • 9-13-4 • 10-10-4 • 11-15-4 • 13-18-5	20
NEW MR3-8ST	3	8	T10 (with pin)	Edelstahl Stainless steel	unbehandelt Unfinished	WP15-15-4 • 15-15-6 • 15-21-4 • 15-21-6 • 20-20-5 • 20-20-7 • 20-28-5 • 20-28-7	20