



## EMV Einschubkassetten Serie TEK

## EMC insert modules series TEK

### Highlights Einschubkassetten Serie TEK

- Hohe Stabilität
  - Erfüllt erhöhte EMV-Anforderungen
  - Frontplatten ungeschirmt oder geschirmt mit Textildichtungen
  - Abgewinkelte Rückwand
  - Optional perforierte Seiten- und Deckelbleche
  - Integrierte Führungsschienen
  - In die Frontplatte eingelassene Seiten- und Deckelbleche
  - Jede Höhe, Breite und Tiefe realisierbar
  - Kundenspezifische Sonderlösungen
  - 6, 7, 8, 10, 12, 21, 42, 63 TE Breite - 3, 4 und 6 HE Höhe - 166 + 226 mm Tiefe im Standardprogramm
  - Gewindenuten für M2,5 zur Aufnahme ungenormter Baugruppen
  - Mutterkanal und Führungsnuten in den Seitenprofilen zur Aufnahme von Leiterkarten im Europaformat
  - Bei 3 HE: Seitenwand einteilig oder dreiteilig
  - Maximaler Bauraum - jede TE ist nutzbar
- Die mechanischen Abmessungen dieser neuen Kassetten entsprechen den Normen IEC 60297-3-101 bzw. IEEE 1101.1/11

Sie sind somit kompatibel zu Kassetten anderer Hersteller, allerdings mit einigen Verbesserungen.

Weitere Informationen sowie 3D-Daten sind auf Anfrage erhältlich.

Individuelle Bearbeitung und Sondergrößen auf Anfrage.

### Highlights insert modules series TEK

- High stability
  - Complies higher EMC requirements
  - Front panel unshielded or shielded with textile gaskets
  - Angled rear wall
  - Optional perforated side and top panels
  - Integrated guide rails
  - Front panel with recessed side and cover sheets
  - Any height, width and depth feasible
  - Customer-specific special solutions
  - 6, 7, 8, 10, 12, 21, 42, 63 HP width - 3, 4 and 6 U height 166 + 226 mm depth in the standard programm
  - M2.5 threaded grooves for mounting non-standard modules
  - Nut channel and guiding rails in the side profiles for Eurocards PCBs
  - For 3U version side wall in one piece or three-piece available
  - Maximum space - each HP is usable
- The mechanical dimensions of these plug-in units comply with the IEC 60297-3-101 or IEEE 1101.1 / 11

Our plug-in modules are compatible with systems from other manufacturers. But our solutions have many improvements.

Please contact us for more information and 3D data.

Custom machining and special sizes on request.

# EMV Einschubkassetten Serie TEK

# EMC insert modules series TEK

**TEK1308160**



**TEK1321160**



**TEK1342160**



**TEK1642160**



**TEK2321220**



| Bezeichnung                                    | TE  | Best.-Nr.  | Kurzbeschreibung                    |
|--|---|------------|-------------------------------------|
| Frontplatte 3 HE aus Aluminium-Blech           | 6   | TEK103006  | Blech-Frontplatte-3 HE-6 TE         |
|  | 7   | TEK103007  | Blech-Frontplatte-3 HE-7 TE         |
|  | 8   | TEK103008  | Blech-Frontplatte-3 HE-8 TE         |
|  | 10  | TEK103010  | Blech-Frontplatte-3 HE-10 TE        |
|  | 12  | TEK103012  | Blech-Frontplatte-3 HE-12 TE        |
|  | 14  | TEK103014  | Blech-Frontplatte-3 HE-14 TE        |
|  | 21  | TEK103021  | Blech-Frontplatte-3 HE-21 TE        |
|  | 28  | TEK103028  | Blech-Frontplatte-3 HE-28 TE        |
| Frontplatte 3 HE aus Aluminium-Blech mit Griff | 42  | TEK103042  | Blech-Frontplatte-3 HE-42 TE        |
|  | 6   | TEK103006G | Blech-Frontplatte-3 HE-6 TE-Griff   |
|  | 7   | TEK103007G | Blech-Frontplatte-3 HE-7 TE-Griff   |
|  | 8   | TEK103008G | Blech-Frontplatte-3 HE-8 TE-Griff   |
|  | 10  | TEK103010G | Blech-Frontplatte-3 HE-10 TE-Griff  |
|  | 12  | TEK103012G | Blech-Frontplatte-3 HE-12 TE-Griff  |
|  | 14  | TEK103014G | Blech-Frontplatte-3 HE-14 TE-Griff  |
|  | 21  | TEK103021G | Blech-Frontplatte-3 HE-21 TE-Griff  |
| Frontplatte 3 HE aus Aluminium-Profil          | 28  | TEK103028G | Blech-Frontplatte-3 HE-28 TE-Griff  |
|  | 42  | TEK103042G | Blech-Frontplatte-3 HE-42 TE-Griff  |
|  | 6   | TEK113006  | Profil-Frontplatte-3 HE-6 TE        |
|  | 7   | TEK113007  | Profil-Frontplatte-3 HE-7 TE        |
|  | 8   | TEK113008  | Profil-Frontplatte-3 HE-8 TE        |
|  | 10  | TEK113010  | Profil-Frontplatte-3 HE-10 TE       |
|  | 12  | TEK113012  | Profil-Frontplatte-3 HE-12 TE       |
|  | Frontplatte 3 HE aus Aluminium-Profil mit Griff | 6          | TEK113006G                          |
| 7  |   | TEK113007G | Profil-Frontplatte-3 HE-7 TE-Griff  |
| 8  |   | TEK113008G | Profil-Frontplatte-3 HE-8 TE-Griff  |
| 10   |   | TEK113010G | Profil-Frontplatte-3 HE-10 TE-Griff |
| 12   |   | TEK113012G | Profil-Frontplatte-3 HE-12 TE-Griff |
| Bezeichnung                                    | TE  | Best.-Nr.  | Kurzbeschreibung                    |
| Frontplatte 6 HE aus Aluminium-Blech           | 6   | TEK106006  | Blech-Frontplatte-6 HE-6 TE         |
|  | 7   | TEK106007  | Blech-Frontplatte-6 HE-7 TE         |
|  | 8   | TEK106008  | Blech-Frontplatte-6 HE-8 TE         |
|  | 10  | TEK106010  | Blech-Frontplatte-6 HE-10 TE        |
|  | 12  | TEK106012  | Blech-Frontplatte-6 HE-12 TE        |
|  | 14  | TEK106014  | Blech-Frontplatte-6 HE-14 TE        |
|  | 21  | TEK106021  | Blech-Frontplatte-6 HE-21 TE        |
|  | 28  | TEK106028  | Blech-Frontplatte-6 HE-28 TE        |
| Frontplatte 6 HE aus Aluminium-Blech mit Griff | 42  | TEK106042  | Blech-Frontplatte-6 HE-42 TE        |
|  | 6   | TEK106006G | Blech-Frontplatte-6 HE-6 TE-Griff   |
|  | 7   | TEK106007G | Blech-Frontplatte-6 HE-7 TE-Griff   |
|  | 8   | TEK106008G | Blech-Frontplatte-6 HE-8 TE-Griff   |
|  | 10  | TEK106010G | Blech-Frontplatte-6 HE-10 TE-Griff  |
|  | 12  | TEK106012G | Blech-Frontplatte-6 HE-12 TE-Griff  |
|  | 14  | TEK106014G | Blech-Frontplatte-6 HE-14 TE-Griff  |
|  | 21  | TEK106021G | Blech-Frontplatte-6 HE-21 TE-Griff  |
| Frontplatte 6 HE aus Aluminium-Profil          | 28  | TEK106028G | Blech-Frontplatte-6 HE-28 TE-Griff  |
|  | 42  | TEK106042G | Blech-Frontplatte-6 HE-42 TE-Griff  |
|  | 6   | TEK116006  | Profil-Frontplatte-6 HE-6 TE        |
|  | 7   | TEK116007  | Profil-Frontplatte-6 HE-7 TE        |
|  | 8   | TEK116008  | Profil-Frontplatte-6 HE-8 TE        |
|  | 10  | TEK116010  | Profil-Frontplatte-6 HE-10 TE       |
|  | 12  | TEK116012  | Profil-Frontplatte-6 HE-12 TE       |
|  | Frontplatte 6 HE aus Aluminium-Profil mit Griff | 6          | TEK116006G                          |
| 7  |   | TEK116007G | Profil-Frontplatte-6 HE-7 TE-Griff  |
| 8  |   | TEK116008G | Profil-Frontplatte-6 HE-8 TE-Griff  |
| 10   |   | TEK116010G | Profil-Frontplatte-6 HE-10 TE-Griff |
| 12   |   | TEK116012G | Profil-Frontplatte-6 HE-12 TE-Griff |

# Zeichnungsposition A

# drawing position A

| description  | HP   | part no.   | briefly description                      |
|--|--|------------|--|
| front panel 3 U<br>aluminum plate                          | 6  | TEK103006  | sheet metal front plate-3 U-6 HP         |
|  | 7  | TEK103007  | sheet metal front plate-3 U-7 HP         |
|  | 8  | TEK103008  | sheet metal front plate-3 U-8 HP         |
|  | 10   | TEK103010  | sheet metal front plate-3 U-10 HP        |
|  | 12   | TEK103012  | sheet metal front plate-3 U-12 HP        |
|  | 14   | TEK103014  | sheet metal front plate-3 U-14 HP        |
|  | 21   | TEK103021  | sheet metal front plate-3 U-21 HP        |
|  | 28   | TEK103028  | sheet metal front plate-3 U-28 HP        |
| front panel 3 U<br>aluminum plate<br>with handle           | 42   | TEK103042  | sheet metal front plate-3 U-42 HP        |
|  | 6  | TEK103006G | sheet metal front plate-3 U-6 HP-handle  |
|  | 7  | TEK103007G | sheet metal front plate-3 U-7 HP-handle  |
|  | 8  | TEK103008G | sheet metal front plate-3 U-8 HP-handle  |
|  | 10   | TEK103010G | sheet metal front plate-3 U-10 HP-handle |
|  | 12   | TEK103012G | sheet metal front plate-3 U-12 HP-handle |
|  | 14   | TEK103014G | sheet metal front plate-3 U-14 HP-handle |
|  | 21   | TEK103021G | sheet metal front plate-3 U-21 HP-handle |
| front panel 3 U<br>made of aluminum<br>profile             | 28   | TEK103028G | sheet metal front plate-3 U-28 HP-handle |
|  | 42   | TEK103042G | sheet metal front plate-3 U-42 HP-handle |
|  | 6  | TEK113006  | profile front plate-3 U-6 HP             |
|  | 7  | TEK113007  | profile front plate-3 U-7 HP             |
|  | 8  | TEK113008  | profile front plate-3 U-8 HP             |
|  | 10   | TEK113010  | profile front plate-3 U-10 HP            |
|  | 12   | TEK113012  | profile front plate-3 U-12 HP            |
|  | front panel 3 U<br>made of aluminum<br>profile with handle | 6          | TEK113006G                               |
| 7  |  | TEK113007G | profile front plate-3 U-7 HP-handle      |
| 8  |  | TEK113008G | profile front plate-3 U-8 HP-handle      |
| 10   |  | TEK113010G | profile front plate-3 U-10 HP-handle     |
| 12   |  | TEK113012G | profile front plate-3 U-12 HP-handle     |
| description  | HP   | part no.   | briefly description                      |
| front panel 6 U<br>aluminum plate                          | 6  | TEK106006  | sheet metal front plate-6 U-6 HP         |
|  | 7  | TEK106007  | sheet metal front plate-6 U-7 HP         |
|  | 8  | TEK106008  | sheet metal front plate-6 U-8 HP         |
|  | 10   | TEK106010  | sheet metal front plate-6 U-10 HP        |
|  | 12   | TEK106012  | sheet metal front plate-6 U-12 HP        |
|  | 14   | TEK106014  | sheet metal front plate-6 U-14 HP        |
|  | 21   | TEK106021  | sheet metal front plate-6 U-21 HP        |
|  | 28   | TEK106028  | sheet metal front plate-6 U-28 HP        |
|  | 42   | TEK106042  | sheet metal front plate-6 U-42 HP        |
| front panel 6 U<br>aluminum plate<br>with handle           | 6  | TEK106006G | sheet metal front plate-6 U-6 HP-handle  |
|  | 7  | TEK106007G | sheet metal front plate-6 U-7 HP-handle  |
|  | 8  | TEK106008G | sheet metal front plate-6 U-8 HP-handle  |
|  | 10   | TEK106010G | sheet metal front plate-6 U-10 HP-handle |
|  | 12   | TEK106012G | sheet metal front plate-6 U-12 HP-handle |
|  | 14   | TEK106014G | sheet metal front plate-6 U-14 HP-handle |
|  | 21   | TEK106021G | sheet metal front plate-6 U-21 HP-handle |
|  | 28   | TEK106028G | sheet metal front plate-6 U-28 HP-handle |
|  | 42   | TEK106042G | sheet metal front plate-6 U-42 HP-handle |
| description  | HP   | part no.   | briefly description                      |
| front panel 6 U<br>made of aluminum<br>profile             | 6  | TEK116006  | sheet metal front plate-6 U-6 HP         |
|  | 7  | TEK116007  | sheet metal front plate-6 U-7 HP         |
|  | 8  | TEK116008  | sheet metal front plate-6 U-8 HP         |
|  | 10   | TEK116010  | sheet metal front plate-6 U-10 HP        |
|  | 12   | TEK116012  | sheet metal front plate-6 U-12 HP        |
| front panel 6 U<br>made of aluminum<br>profile with handle | 6  | TEK116006G | sheet metal front plate-6 U-6 HP-handle  |
|  | 7  | TEK116007G | sheet metal front plate-6 U-7 HP-handle  |
|  | 8  | TEK116008G | sheet metal front plate-6 U-8 HP-handle  |
|  | 10   | TEK116010G | sheet metal front plate-6 U-10 HP-handle |
|  | 12   | TEK116012G | sheet metal front plate-6 U-12 HP-handle |

## Zeichnungs-Position B - drawing position B

| Rückplatte 3 HE - rear panel 3 U |                      |  |
|----------------------------------|----------------------|--|
| TE                               | Best.-Nr. - part no. | Kurzbeschreibung - description                 |
| 8                                | TEK103308            | Rückplatte 3 HE-8 TE<br>back panel 3 U-8 HP    |
| 10                               | TEK103310            | Rückplatte 3 HE-10 TE<br>back panel 3 U-10 HP  |
| 12                               | TEK103312            | Rückplatte 3 HE-12 TE<br>back panel 3 U-12 HP  |
| 14                               | TEK103314            | Rückplatte 3 HE-14 TE<br>back panel 3 U- 14 HP |
| 21                               | TEK103321            | Rückplatte 3 HE-21 TE<br>back panel 3 U-21 HP  |
| 28                               | TEK103328            | Rückplatte 3 HE-28 TE<br>back panel 3 U-28 HP  |
| 42                               | TEK103342            | Rückplatte 3 HE-42 TE<br>back panel 3 U-42 HP  |

## Zeichnungs-Position B - drawing position B

| Rückplatte 6 HE - rear panel 6 U |                      |   |
|----------------------------------|----------------------|---|
| TE                               | Best.-Nr. - part no. | Kurzbeschreibung - description                |
| 8                                | TEK106308            | Rückplatte 6 HE-8 TE<br>back panel 6 U-8 HP   |
| 10                               | TEK106310            | Rückplatte 6 HE-10 TE<br>back panel 6 U-10 HP |
| 12                               | TEK106312            | Rückplatte 6 HE-12 TE<br>back panel 6 U-12 HP |
| 14                               | TEK106314            | Rückplatte-6 HE-14 TE<br>back panel 6 U-14 HP |
| 21                               | TEK106321            | Rückplatte-6 HE-21 TE<br>back panel 6 U-21 HP |
| 28                               | TEK106328            | Rückplatte-6 HE-28 TE<br>back panel 6 U-28 HP |
| 42                               | TEK106342            | Rückplatte-6 HE-42 TE<br>back panel 6 U-42 HP |

## Zeichnungs-Position C - drawing position C

| Seitenteil einteilig 3 HE ohne Lüftungsschlitze<br>side panel one piece 3 U without ventilation slots |                       |  |
|---|-----------------------|--|
| Tiefe<br>depth (mm)   | Best.-Nr.<br>part no. | Kurzbeschreibung<br>description  |
| 166   | TEK711600             | Seite einTeil 3 HE-166 mm tief<br>side one piece 3 U-166 mm deep   |
| 226   | TEK712200             | Seite einTeil 3 HE-226 mm tief<br>side one piece 3 U-226 mm deep   |
| Seitenteil einteilig 3 HE mit Lüftungsschlitze<br>side panel one piece 3 U with ventilation slots     |                       |  |
| Tiefe<br>depth (mm)   | Best.-Nr.<br>part no. | Kurzbeschreibung<br>description  |
| 166   | TEK711602             | Seite einTeil 3 HE-166 mm tief-<br>Lüftungsschlitze<br>side one piece 3 U-166 mm deep<br>ventilation slots |
| 226   | TEK712202             | Seite einTeil 3 HE-226 mm tief-<br>Lüftungsschlitze<br>side one piece 3 U-166 mm deep<br>ventilation slots |

## Zeichnungs-Position D - drawing position D

| Bezeichnung<br>description                      | Tiefe<br>depth (mm) | Best.-Nr.<br>part no. | Kurzbeschreibung<br>description   |
|---|---------------------|-----------------------|---|
| Seitenwand<br>3-teilig<br>side wall<br>3-pieces | 166                 | TEK701600             | Seite-3 Teile-166 mm tief<br>side one piece 166 mm deep                                       |
|   | 226                 | TEK702200             | Seite-3 Teile-226 mm tief<br>side one piece 226 mm deep                                       |
| Bezeichnung<br>description                      | Tiefe<br>depth (mm) | Best.-Nr.<br>part no. | Kurzbeschreibung<br>description   |
| Seitenwand<br>3-teilig<br>side wall<br>3-pieces | 166                 | TEK701601             | Seite 3 Teile-166 mm tief Bohrung vertikal<br>side 3 pieces 166 mm deep vertical drilling     |
|   | 226                 | TEK702201             | Seite 3-Teile-226 mm tief Bohrung vertikal<br>side 3 pieces 226 mm deep vertical drilling     |
| Bezeichnung<br>description                      | Tiefe<br>depth (mm) | Best.-Nr.<br>part no. | Kurzbeschreibung<br>description   |
| Seitenwand<br>3-teilig<br>side wall<br>3-pieces | 166                 | TEK701602             | Seite 3 Teile-166 mm tief Bohrung horizontal<br>side 3 pieces 166 mm deep horizontal drilling |
|   | 226                 | TEK702202             | Seite 3 Teile-226 mm tief Bohrung horizontal<br>side 3 pieces 226 mm deep horizontal drilling |

## Zeichnungs-Position E - drawing position E

| Bezeichnung - description                                   | Tiefe - depth | Best.-Nr. - part no. | Kurzbeschreibung - description  |
|---|---------------|----------------------|---|
| Seitenwand 3-teilig<br>sidewall 3 pieces                    | 166           | TEK603160            | Seite-3-teilig-Füllstück-3 HE-166 mm tief<br>side-3 pieces-filler piece-3 U-166 mm deep   |
|   | 226           | TEK603220            | Seite-3-teilig-Füllstück-3 HE-226 mm tief<br>side-3 pieces-filler piece-3 U-226 mm deep   |
| Bezeichnung - description                                   | Tiefe - depth | Best.-Nr. - part no. | Kurzbeschreibung - description  |
| Seitenwand 3-teilig gelocht<br>sidewall perforated 3-pieces | 166           | TEK603161            | Seite-3-teilig-Füllstück-3 HE-166 mm tief / gelocht<br>side-3 pieces-filler piece-3 U-166 mm deep / perforated  |
|   | 226           | TEK603221            | Seite-3-teilig-Füllstück-3 HE-226 mm tief / gelocht<br>side-3 pieces-filler piece-3 U-226 mm deep / perforated  |
| Bezeichnung - description                                   | Tiefe - depth | Best.-Nr. - part no. | Kurzbeschreibung - description  |
| Seitenwand 3-teilig gelocht<br>sidewall perforated 3-pieces | 166           | TEK603162            | Seite-3-teilig-Füllstück-3 HE-166 mm tief / gelocht / Lüftungsschlitze<br>side-3 pieces-filler piece-3 U-166 mm deep / perforated / ventilation slots |
|   | 226           | TEK603222            | Seite-3-teilig-Füllstück-3 HE-226 mm tief / gelocht / Lüftungsschlitze<br>side-3 pieces-filler piece-3 U-226 mm deep / perforated / ventilation slots |
| Bezeichnung - description                                   | Tiefe - depth | Best.-Nr. - part no. | Kurzbeschreibung - description  |
| Seitenwand 3-teilig<br>sidewall 3 pieces                    | 166           | TEK606160            | Seite-3-teilig-Füllstück-6 HE-166 mm tief<br>side-3 pieces-filler piece-6 U-166 mm deep   |
|   | 226           | TEK606220            | Seite-3-teilig-Füllstück-6 HE-226 mm tief<br>side-3 pieces-filler piece-6 U-226 mm deep   |
| Bezeichnung - description                                   | Tiefe - depth | Best.-Nr. - part no. | Kurzbeschreibung - description  |
| Seitenwand 3-teilig gelocht<br>sidewall perforated 3-pieces | 166           | TEK606161            | Seite-3-teilig-Füllstück-6 HE-166 mm tief-gelocht<br>side-3 pieces-filler piece-6 U-166 mm deep perforated  |
|   | 226           | TEK606221            | Seite-3-teilig-Füllstück-6 HE-226 mm tief-gelocht<br>side-3 pieces-filler piece-6 U-226 mm deep perforated  |

TEK521162  
Kartenführung  
TEK521162  
card guide



TEK711600  
Seitenwand  
TEK711600  
side wall



TEK821162 Deckblech mit  
Lüftungsschlitzen  
TEK821162 cover plate with  
ventilation slots



## Zeichnungsposition F

## drawing position F

| Bezeichnung / description   | TE | Tiefe / depth (mm) | Best.-Nr. / Part no. | Kurzbeschreibung / description   |
|---|----|--------------------|----------------------|--|
| <b>Deckblech ohne Lüftungsschlitze</b><br>cover sheet without ventilation slots | 7  | 166                | TEK807160            | Deckblech 7 TE-166 mm tief<br>cover sheet 7 HP-166mm deep  |
|   | 8  | 166                | TEK808160            | Deckblech 8 TE-166 mm tief<br>cover sheet 8 HP-166mm deep  |
|   | 10 | 166                | TEK810160            | Deckblech 10 TE-166 mm tief<br>cover sheet 10 HP-166mm deep  |
|   | 12 | 166                | TEK812160            | Deckblech 12 TE-166 mm tief<br>cover sheet 12 HP-166 mm deep   |
|   | 14 | 166                | TEK814160            | Deckblech 14 TE-166 mm tief<br>cover sheet 14 HP-166 mm deep   |
|   | 21 | 166                | TEK821160            | Deckblech 21 TE-166 mm tief<br>cover sheet 21 HP-166 mm deep   |
|   | 28 | 166                | TEK828160            | Deckblech 28 TE-166 mm tief<br>cover sheet 28 HP-166 mm deep   |
|   | 42 | 166                | TEK842160            | Deckblech 42 TE-166 mm tief<br>cover sheet 42 HP-166 mm deep   |
| Bezeichnung / description   | TE | Tiefe / depth (mm) | Best.-Nr. / part no. | Kurzbeschreibung / description   |
| <b>Deckblech mit Lüftungsschlitze</b><br>cover sheet with ventilation slots     | 7  | 166                | TEK807162            | Deckblech 7 TE-166 mm tief Lüftungsschlitze<br>cover sheet 7 HP-166 mm deep with ventilation holes   |
|   | 8  | 166                | TEK808162            | Deckblech 8 TE-166 mm tief Lüftungsschlitze<br>cover sheet 8 HP-166 mm deep with ventilation holes   |
|   | 10 | 166                | TEK810162            | Deckblech 10 TE-166 mm tief Lüftungsschlitze<br>cover sheet 10 HP-166 mm deep with ventilation holes |
|   | 12 | 166                | TEK812162            | Deckblech 12 TE-166 mm tief Lüftungsschlitze<br>cover sheet 12 HP-166 mm deep with ventilation holes |
|   | 14 | 166                | TEK814162            | Deckblech 14 TE-166 mm tief Lüftungsschlitze<br>cover sheet 14 HP-166 mm deep with ventilation holes |
|   | 21 | 166                | TEK821162            | Deckblech 21 TE-166 mm tief Lüftungsschlitze<br>cover sheet 21 HP-166 mm deep with ventilation holes |
|   | 28 | 166                | TEK828162            | Deckblech 28 TE-166 mm tief Lüftungsschlitze<br>cover sheet 28 HP-166 mm deep with ventilation holes |
|   | 42 | 166                | TEK842162            | Deckblech 42 TE-166 mm tief Lüftungsschlitze<br>cover sheet 42 HP-166 mm deep with ventilation holes |
| Bezeichnung / description   | TE | Tiefe / depth (mm) | Best.-Nr. / part no. | Kurzbeschreibung / description   |
| <b>Deckblech ohne Lüftungsschlitze</b><br>cover sheet without ventilation slots | 7  | 226                | TEK807220            | Deckblech 7 TE-226 mm tief<br>cover sheet 7 HP-226mm deep  |
|   | 8  | 226                | TEK808220            | Deckblech 8 TE-226 mm tief<br>cover sheet 8 HP-226mm deep  |
|   | 10 | 226                | TEK810220            | Deckblech 10 TE-226 mm tief<br>cover sheet 10 HP-226mm deep  |
|   | 12 | 226                | TEK812220            | Deckblech 12 TE-226 mm tief<br>cover sheet 12 HP-226mm deep  |
|   | 14 | 226                | TEK814220            | Deckblech 14 TE-226 mm tief<br>cover sheet 14 HP-226mm deep  |
|   | 21 | 226                | TEK821220            | Deckblech 21 TE-226 mm tief<br>cover sheet 21 HP-226mm deep  |
|   | 28 | 226                | TEK828220            | Deckblech 28 TE-226 mm tief<br>cover sheet 28 HP-226mm deep  |
|   | 42 | 226                | TEK842220            | Deckblech 42 TE-226 mm tief<br>cover sheet 28 HP-226mm deep  |
| Bezeichnung / description   | TE | Tiefe / depth (mm) | Best.-Nr. / part no. | Kurzbeschreibung / description   |
| <b>Deckblech mit Lüftungsschlitze</b><br>cover sheet with ventilation slots     | 7  | 226                | TEK807222            | Deckblech 7 TE-226 mm tief Lüftungsschlitze<br>cover sheet 7 HP-226 mm deep ventilation holes        |
|   | 8  | 226                | TEK808222            | Deckblech 8 TE-226 mm tief Lüftungsschlitze<br>cover sheet 8 HP-226 mm deep ventilation holes        |
|   | 10 | 226                | TEK810222            | Deckblech 10 TE-226 mm tief Lüftungsschlitze<br>cover sheet 10 HP-226 mm deep ventilation holes      |
|   | 12 | 226                | TEK812222            | Deckblech 12 TE-226 mm tief Lüftungsschlitze<br>cover sheet 12 HP-226 mm deep ventilation holes      |
|   | 14 | 226                | TEK814222            | Deckblech 14 TE-226 mm tief Lüftungsschlitze<br>cover sheet 14 HP-226 mm deep ventilation holes      |
|   | 21 | 226                | TEK821222            | Deckblech 21 TE-226 mm tief Lüftungsschlitze<br>cover sheet 21 HP-226 mm deep ventilation holes      |
|   | 28 | 226                | TEK828222            | Deckblech 28 TE-226 mm tief Lüftungsschlitze<br>cover sheet 28 HP-226 mm deep ventilation holes      |
|   | 42 | 226                | TEK842222            | Deckblech 42 TE-226 mm tief Lüftungsschlitze<br>cover sheet 42 HP-226 mm deep ventilation holes      |

## Zeichnungs-Position G - drawing position G

| Bezeichnung - escription   | TE | Best.-Nr. - part no. | Kurzbeschreibung - description                              |
|--|----|----------------------|---|
| Griffeleiste aus Aluminium-Profil<br>handle made of aluminum profile | 6  | TEK06FGLA            | Griff-6 TE natur eloxiert<br>handle-6 HP natural anodized   |
|  | 7  | TEK07FGLA            | Griff-7 TE natur eloxiert<br>handle-7 HP natural anodized   |
|  | 8  | TEK08FGLA            | Griff-8 TE natur eloxiert<br>handle-8 HP natural anodized   |
|  | 10 | TEK10FGLA            | Griff-10 TE natur eloxiert<br>handle-10 HP natural anodized |
|  | 12 | TEK12FGLA            | Griff-12 TE natur eloxiert<br>handle-12 HP natural anodized |
|  | 14 | TEK14FGLA            | Griff-14 TE natur eloxiert<br>handle-14 HP natural anodized |
|  | 21 | TEK21FGLA            | Griff-21 TE natur eloxiert<br>handle-21 HP natural anodized |
|  | 28 | TEK28FGLA            | Griff-28 TE natur eloxiert<br>handle-28 HP natural anodized |
|  | 42 | TEK42FGLA            | Griff-42 TE natur eloxiert<br>handle-42 HP natural anodized |
| Bezeichnung - escription   | TE | Best.-Nr. - part no. | Kurzbeschreibung - description                              |
| Griffeleiste aus Aluminium-Profil<br>handle made of aluminum profile | 6  | TEK06FGLAS           | Griff-6 TE schwarz eloxiert<br>handle-6 HP black anodized   |
|  | 7  | TEK07FGLAS           | Griff-7 TE schwarz eloxiert<br>handle-7 HP black anodized   |
|  | 8  | TEK08FGLAS           | Griff-8 TE schwarz eloxiert<br>handle-8 HP black anodized   |
|  | 10 | TEK10FGLAS           | Griff-10 TE schwarz eloxiert<br>handle-10 HP black anodized |
|  | 12 | TEK12FGLAS           | Griff-12 TE schwarz eloxiert<br>handle-12 HP black anodized |
|  | 14 | TEK14FGLAS           | Griff-14 TE schwarz eloxiert<br>handle-14 HP black anodized |
|  | 21 | TEK21FGLAS           | Griff-21 TE schwarz eloxiert<br>handle-21 HP black anodized |
|  | 28 | TEK28FGLAS           | Griff-28 TE schwarz eloxiert<br>handle-28 HP black anodized |
|  | 42 | TEK42FGLAS           | Griff-42 TE schwarz eloxiert<br>handle-42 HP black anodized |

**Bitte beachten:**

Für alle Einzelteile der Serie TEK beträgt die Verpackungseinheit 10 Stück bzw. 10 Sets.  
Die Mindestbestellmenge bei kompletten Kassettensystemen beträgt 10 Stück.

**Please note:**

For all items of the series TEK packing unit is 10 pieces or 10 set.  
The minimum order quantity for complete cassette systems is 10 pieces.

Die zugehörigen Zeichnungspositionen zu den Einzelteilen finden Sie auf der nächsten Seite.  
3D Daten auf Anforderung. Sonderausführungen sind möglich.

The accompanying drawing items to the items you find on the next page.  
3D data on request. Special designs are possible.

## Zeichnungsposition H

## drawing position H

### Zeichnungs-Position H - drawing position H

| Bezeichnung - description   | TE | Tiefe - depth | Best.-Nr. - part no. | Kurzbeschreibung - description                          |
|---|----|---------------|----------------------|---|
| <b>Blech mit Kartenführung und Lüftungsschlitze 166 mm tief</b><br>sheet metal with card guide slots and 166 mm depth | 10 | 166           | TEK510161            | Kartenführung 10 TE- 166 mm<br>card guide 10HP- 166 mm  |
|   | 12 | 166           | TEK512161            | Kartenführung 12 TE- 166 mm<br>card guide 12HP- 166 mm  |
|   | 14 | 166           | TEK514161            | Kartenführung 14 TE- 166 mm<br>card guide 14HP- 166 mm  |
|   | 21 | 166           | TEK521161            | Kartenführung 21TE- 166 mm<br>card guide 14HP- 166 mm   |
|   | 28 | 166           | TEK528161            | Kartenführung 28 TE- 166 mm<br>card guide 28 HP- 166 mm |
|   | 42 | 166           | TEK542161            | Kartenführung 42 TE- 166 mm<br>card guide 42HP- 166 mm  |
| Bezeichnung - description   | TE | Tiefe - depth | Best.-Nr. - part no. | Kurzbeschreibung - description                          |
| <b>Blech mit Kartenführung und Lüftungsschlitze 226 mm tief</b><br>sheet metal with card guide slots and 226 mm depth | 10 | 226           | TEK510221            | Kartenführung 10 TE- 226 mm<br>card guide 10HP- 226 mm  |
|   | 12 | 226           | TEK512221            | Kartenführung 12 TE- 226 mm<br>card guide 12HP-226 mm   |
|   | 14 | 226           | TEK514221            | Kartenführung 14 TE- 226 mm<br>card guide 14HP-226 mm   |
|   | 21 | 226           | TEK521221            | Kartenführung 21TE- 226 mm<br>card guide 21 HP-226 mm   |
|   | 28 | 226           | TEK528221            | Kartenführung 28 TE- 226 mm<br>card guide 28 HP- 226 mm |
|   | 42 | 226           | TEK542221            | Kartenführung 42 TE- 226 mm<br>card guide 42 HP-226 mm  |

## Zeichnungsposition I

## drawing position I

### Zeichnungs-Position I - drawing position I

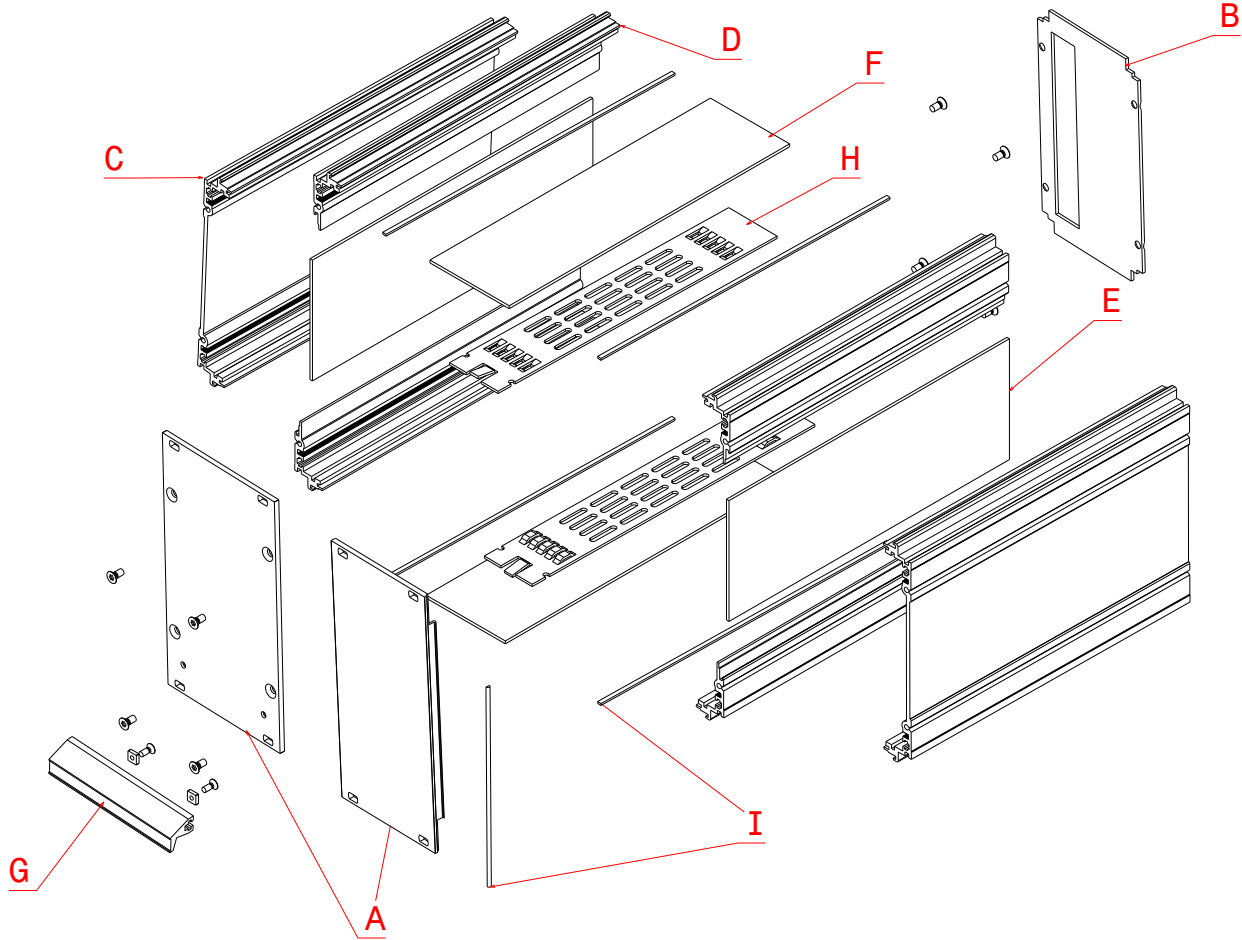
| Bezeichnung - description       | Länge - length | Best.-Nr. - part no. | Kurzbeschreibung - description  |
|---------------------------------|----------------|----------------------|---|
| <b>EMV Dichtung</b><br>EMC seal | 3              | TEK412098            | EMV-Dichtung f. Profil-Frontplatte 3 HE<br>EMC seal for profile front panel 3 U |
|                                 | 6              | TEK412231            | EMV-Dichtung f. Profil-Frontplatte 6 HE<br>EMC-seal for profile front panel 6 U |
| Bezeichnung - description       | Länge - length | Best.-Nr. - part no. | Kurzbeschreibung - description  |
| <b>EMV Dichtung</b><br>EMC seal | 166            | TEK422166            | EMV-Dichtung für Gehäuse-166 tief<br>EMC seal for enclosure depth 166           |
|                                 | 226            | TEK422226            | EMV-Dichtung für Gehäuse-226 tief<br>EMC seal for enclosure depth 166           |

# EMV Einschubkassetten Serie TEK

# EMC insert modules series TEK

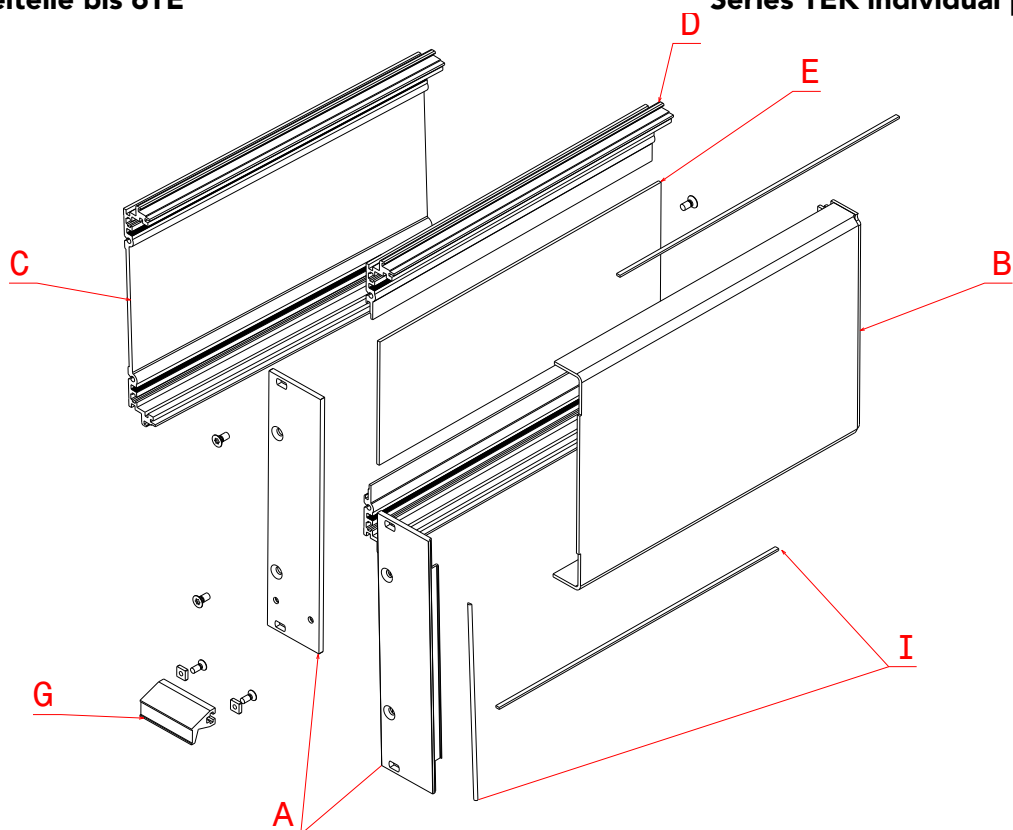
## Serie TEK Einzelteile ab 7TE

## Series TEK individual parts 7HP



## Serie TEK Einzelteile bis 6TE

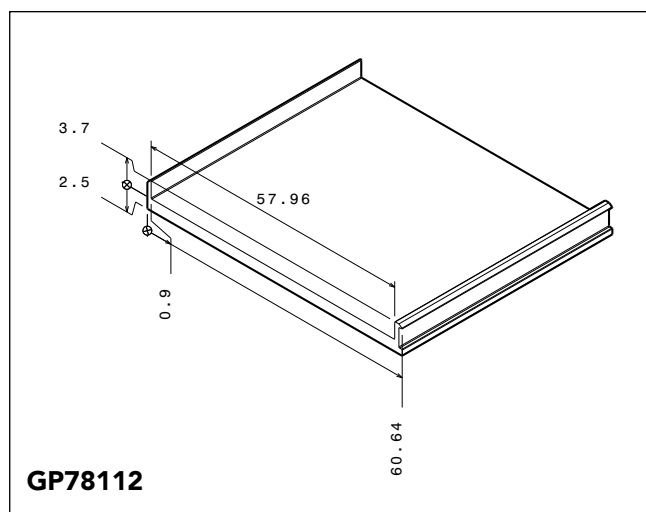
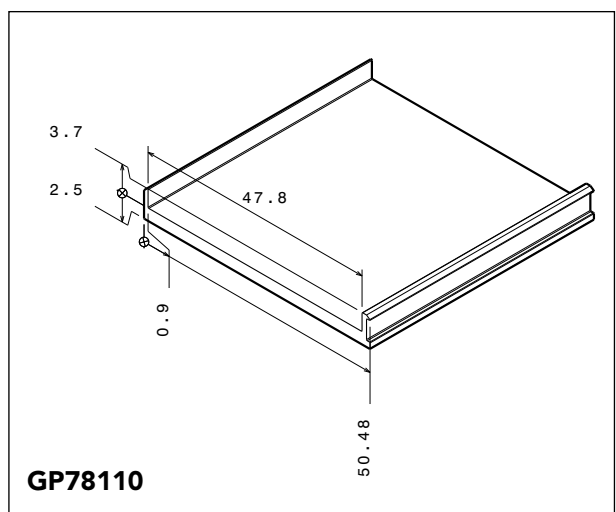
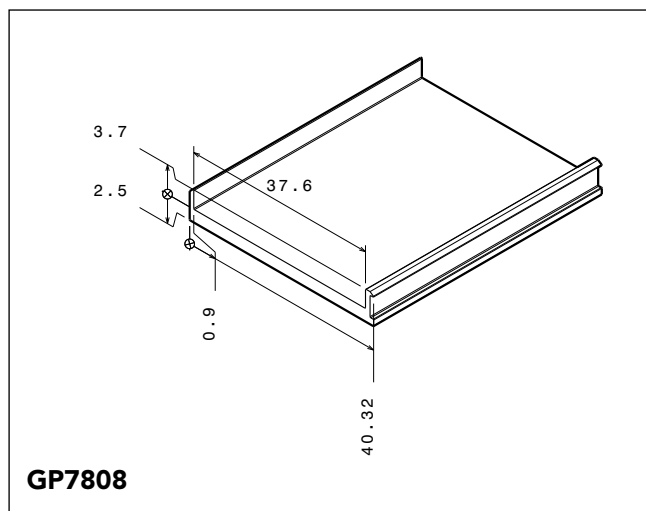
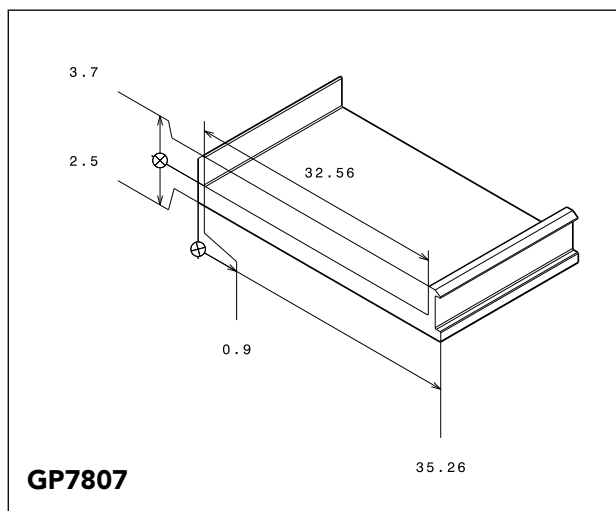
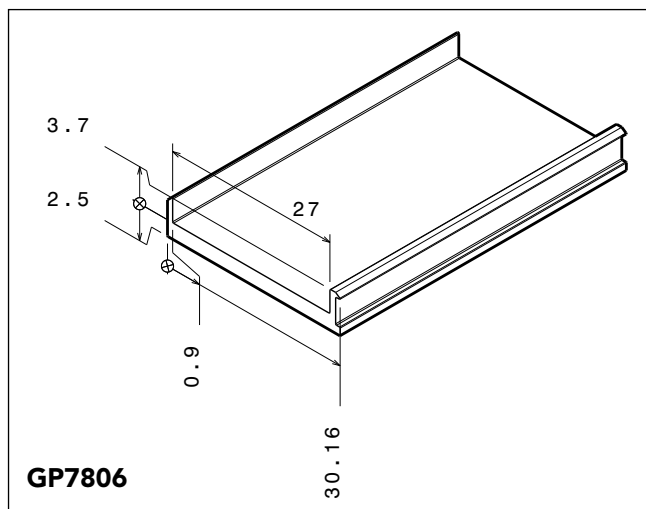
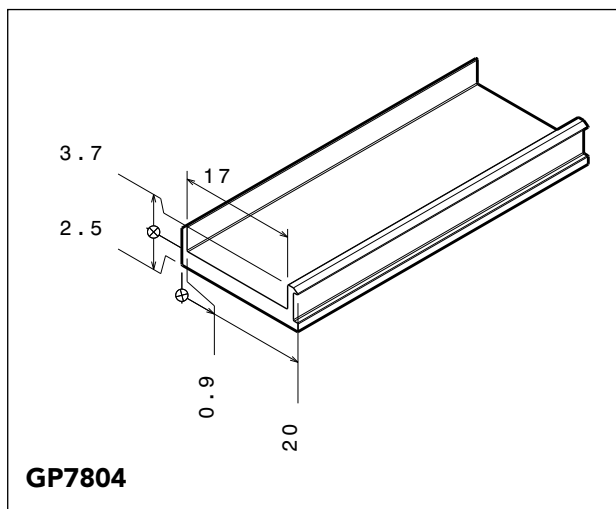
## Series TEK individual parts 6HP





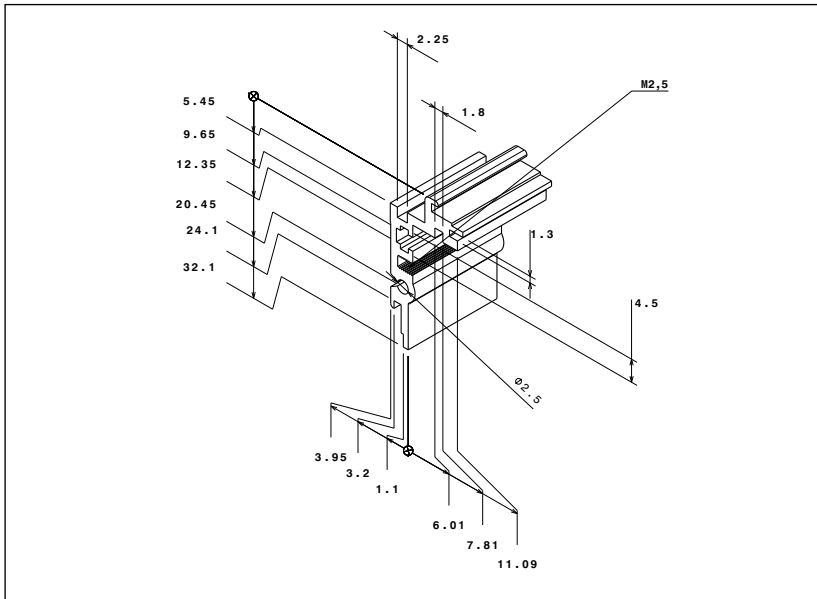
Serie TEK  
Pofilübersicht

Series TEK  
profile overview



# Serie TEK Pofilübersicht

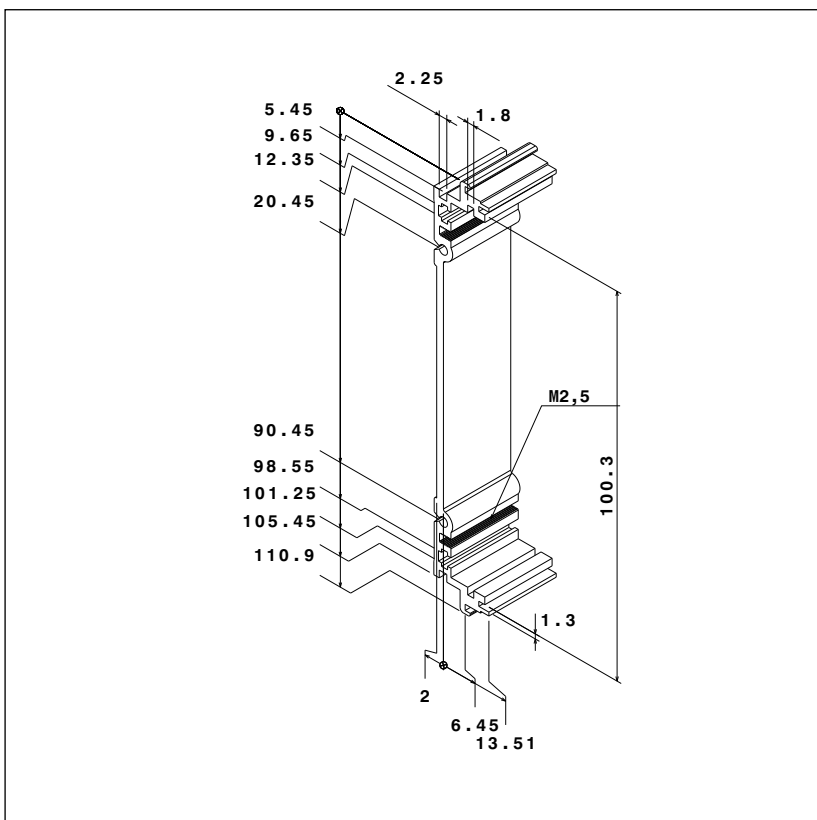
# Series TEK profile overview



## GP7001

Eckprofil für 3-teilige  
Seitenwand Serie TEK

Corner profile for 3-part  
sidewall series TEK



## GP7101

Seitenwand einteilig 3HE  
Serie TEK

side wall one-piece 3U  
series TEK