

Serie LCS Handgehäuse mit Silikonprotector

Series LCS hand-held case with silicone cover



Technische Daten
Schutzklasse: IP40 Temperaturbereich: -10°C ~ +60°C

Technical Data
Protection class: IP40 Operating temperature: -10°C ~ +60°C

- Kunststoffgehäuse mit Silikonprotector bietet einen guten Halt und schützt das Gerät bei einem Sturz.
- Hergestellt aus schwer entflammaren ABS UL94V-0 Material. Verfügbar mit verschiedenen Batteriefächern.
- Positiv (+) / Negativ (-) Markierungen innerhalb des Batteriefaches.
- Nutzbar für mobile Messgeräte, Testgeräte, Kommunikationsgeräte oder medizinische Geräte.

- Plastic case with silicone cover providing not only comfortable and anti-slip grip, but also protection from drop impact.
- Manufactured with flame-resistant ABS UL94V-0. Several battery compartment types are available.
- Positive (+) / negative (-) pole mark are incused on the inside of the battery compartments.
- Suitable for measuring instruments, test devices, wireless communication devices, medical devices and so on.

Mit Batteriefach - Battery compartment type

Ohne Batteriefach - No battery compartment type



Einzelteile

Nr.	Bezeichnung	Stück	Material	Farbe / Oberfläche
1	Deckel	1	ABS UL94V-0	Weißgrau • Dunkelgrau
2	Boden	1	ABS UL94V-0	Weißgrau • Dunkelgrau
3	Blende	1	ABS UL94V-0	Weißgrau • Dunkelgrau
4	Schrauben (selbstschneidend)	4	Steel M2.6	Vernickelt • Schwarz chromatiert
5	Batteriefachdeckel	1	ABS UL94V-0	Weißgrau • Dunkelgrau
6	Batteriekontakt • Batterieaufnahme	1 Satz	Messing • Messing: PVC	Vernickelt • Vernickelt : Schwarz
7	Silikonprotector	1	Silikon	Rot • Gelb • Grün • Blau • Navy • Lichtgrau • Dunkelgrau

Components

No.	Part name	Pcs	Material	Color / Finish
1	Top cover	1	ABS UL94V-0	Off-white • Dark gray
2	Bottom cover	1	ABS UL94V-0	Off-white • Dark gray
3	Panel	1	ABS UL94V-0	Off-white • Dark gray
4	Self tapping screw	4	Steel M2.6	Nickel plated • Black trivalent chromate
5	Battery cover	1	ABS UL94V-0	Off-white • Dark gray
6	Battery contact • Battery snap	1 set	Bras • Brass : PVC	Nickel plated • Nickel plated : Black
7	Silicone cover	1	Silicone	Red • Yellow • Green • Blue • Navy • Light gray • Dark gray

Zubehör (optional erhältlich) - Accessories (optional parts)



PCB Montageschraube
PCB mounting screw
EM-2.3



TORX Schraube
TORX screw
MR series



Schlüsselring
Key ring
CR-20



Tragschleife
Strap
STP series



Abstandsbolzen
Tapping standoff
TPS series

Zubehör (optional erhältlich)

Accessories (optional parts)

Batteriefachtyp - Battery Compartment Type

Type	N None	F2 AAA x 2	F3 AAA x 3	F4 AAA x 4	F6 AAA x 6	M2 AA x 2	M3 AA x 3	M4 AA x 4	9V 9V x 1
Batteriefachtyp Battery compartment									

Farbcode - Color Type

Code	D R Dunkelgrau / Rot D R Dark gray / Red	D Y Dunkelgrau / Gelb D Y Dark gray / Yellow	D G Dunkelgrau / Grün D G Dark gray / Green	D B Dunkelgrau / Blau D B Dark gray / Blue	D N Dunkelgrau / Navy D N Dark gray / Navy	D D Dunkelgrau / Dunkelgrau D D Dark gray / Dark gray	D L Dunkelgrau / Lichtgrau D L Dark gray / Light gray
Farbe - Color							
Code	W R Weißgrau / Rot W R Off-white / Red	W Y Weißgrau / Gelb W Y Off-white / Yellow	W G Weißgrau / Grün W G Off-white / Green	W B Weißgrau / Blau W B Off-white / Blue	W N Weißgrau / Navy W N Off-white / Navy	W D Weißgrau / Dunkelgrau W D Off-white / Dark gray	W L Weißgrau / Lichtgrau W L Off-white / Light gray
Farbe - Color							

Best.-Nr. / Maße - Product no. / Dimensions

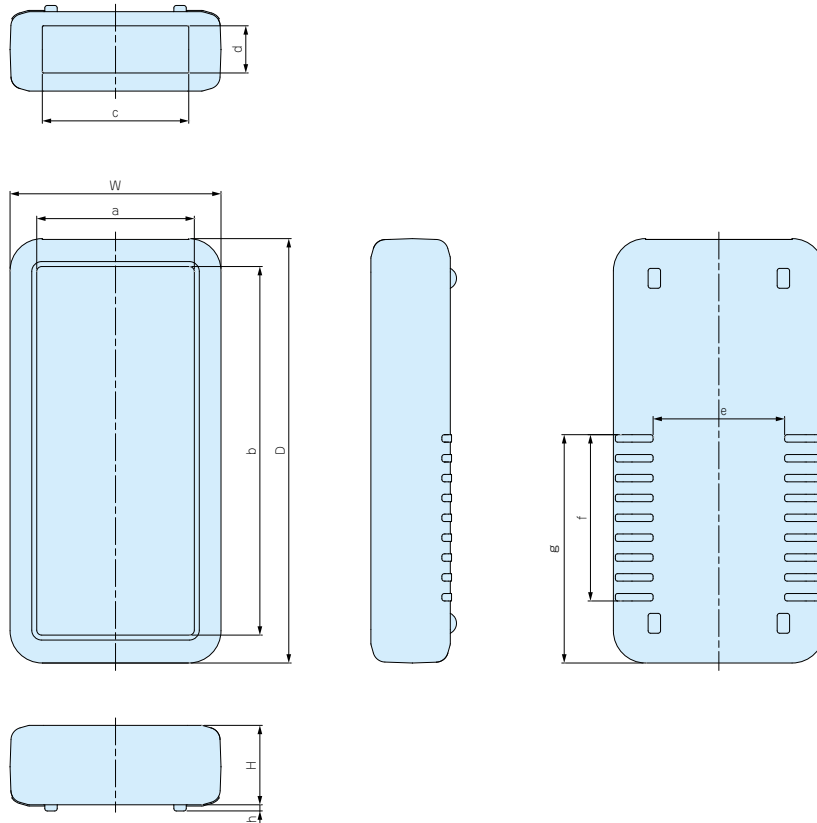
■ Bitte ergänzen Sie den Farbcode am Ende der Bestellnr. - ■ Please suffix color code at the end of the product number.

Best.-Nr. - Product no.	W	H	D	Batteriefach - Battery compartment	Gewicht - Weight (g)
LCS115 -N -□□	74(69)	24(19.5)	120(115)	None	113
LCS115 -F2 -□□	74(69)	24(19.5)	120(115)	AAA x 2	117.5
LCS115 -F3 -□□	74(69)	24(19.5)	120(115)	AAA x 3	119.5
LCS115H -N -□□	74(69)	32.5(28)	120(115)	None	130
LCS115H -F2 -□□	74(69)	32.5(28)	120(115)	AAA x 2	134.5
LCS115H -F3 -□□	74(69)	32.5(28)	120(115)	AAA x 3	136
LCS115H -M2 -□□	74(69)	32.5(28)	120(115)	AA x 2	138.5
LCS115H -9V -□□	74(69)	32.5(28)	120(115)	9V x 1	138
LCS135 -N -□□	81(76)	32(27)	141(135)	None	165
LCS135 -F4 -□□	81(76)	32(27)	141(135)	AAA x 4	180
LCS135 -M2 -□□	81(76)	32(27)	141(135)	AA x 2	178
LCS135 -M3 -□□	81(76)	32(27)	141(135)	AA x 3	183.5
LCS135 -9V -□□	81(76)	32(27)	141(135)	9V x 1	181.5
LCS135H -N -□□	81(76)	40(35)	141(135)	None	183
LCS135H -F4 -□□	81(76)	40(35)	141(135)	AAA x 4	197.5
LCS135H -M2 -□□	81(76)	40(35)	141(135)	AA x 2	196.5
LCS135H -M3 -□□	81(76)	40(35)	141(135)	AA x 3	201.5
LCS135H -9V -□□	81(76)	40(35)	141(135)	9V x 1	199
NEW LCS145S -N -□□	101(96)	25(20)	151(145)	None	183.4
NEW LCS145S -F6 -□□	101(96)	25(20)	151(145)	AAA x 6	203.4
NEW LCS145 -N -□□	101(96)	32(27)	151(145)	None	202
NEW LCS145 -F6 -□□	101(96)	32(27)	151(145)	AAA x 6	222
NEW LCS145 -M2 -□□	101(96)	32(27)	151(145)	AA x 2	216
NEW LCS145 -M4 -□□	101(96)	32(27)	151(145)	AA x 4	223
NEW LCS145H -N -□□	101(96)	40(35)	151(145)	None	224
NEW LCS145H -F6 -□□	101(96)	40(35)	151(145)	AAA x 6	244.5
NEW LCS145H -M2 -□□	101(96)	40(35)	151(145)	AA x 2	238
NEW LCS145H -M4 -□□	101(96)	40(35)	151(145)	AA x 4	245
LCS165 -N -□□	85(80)	32(27)	171(165)	None	203
LCS165 -M4 -□□	85(80)	32(27)	171(165)	AA x 4	222.5
LCS165H -N -□□	85(80)	40(35)	171(165)	None	220.5
LCS165H -M4 -□□	85(80)	40(35)	171(165)	AA x 4	239.5

■ () Klammerwert = Gehäusemaße, - ■ () value = enclosure dimension.

Silikonprotektor Maße

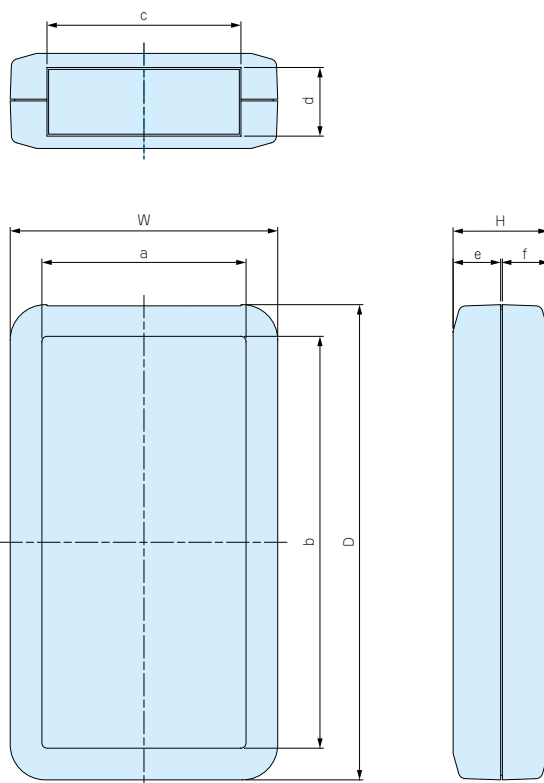
Silicone cover dimensions



Best.-Nr. - Product no.	W	H	D	a	b	c	d	e	f	g	h
LCS115 -N -□□	74	24	120	55.5	101.5	48.3	12	46	44.5	60.5	2
LCS115 -F2 -□□	74	24	120	55.5	101.5	48.3	12	46	44.5	60.5	2
LCS115 -F3 -□□	74	24	120	55.5	101.5	48.3	12	46	44.5	60.5	2
LCS115H -N -□□	74	32.5	120	55.5	101.5	48.3	20.5	46	44.5	60.5	2
LCS115H -F2 -□□	74	32.5	120	55.5	101.5	48.3	20.5	46	44.5	60.5	2
LCS115H -F3 -□□	74	32.5	120	55.5	101.5	48.3	20.5	46	44.5	60.5	2
LCS115H -M2-□□	74	32.5	120	55.5	101.5	48.3	20.5	46	44.5	60.5	2
LCS115H -9V -□□	74	32.5	120	55.5	101.5	48.3	20.5	46	44.5	60.5	2
LCS135 -N -□□	81	32	141	59.5	118.5	55	19	53	59	79	2.5
LCS135 -F4 -□□	81	32	141	59.5	118.5	55	19	53	59	79	2.5
LCS135 -M2-□□	81	32	141	59.5	118.5	55	19	53	59	79	2.5
LCS135 -M3-□□	81	32	141	59.5	118.5	55	19	53	59	79	2.5
LCS135 -9V -□□	81	32	141	59.5	118.5	55	19	53	59	79	2.5
LCS135H -N -□□	81	40	141	59.5	118.5	55	27	53	59	79	2.5
LCS135H -F4 -□□	81	40	141	59.5	118.5	55	27	53	59	79	2.5
LCS135H -M2-□□	81	40	141	59.5	118.5	55	27	53	59	79	2.5
LCS135H -M3-□□	81	40	141	59.5	118.5	55	27	53	59	79	2.5
LCS135H -9V -□□	81	40	141	59.5	118.5	55	27	53	59	79	2.5
LCS145S -N -□□	101	25	151	76.5	125.5	71	12	71	59	81	2.5
LCS145S -F6 -□□	101	25	151	76.5	125.5	71	12	71	59	81	2.5
LCS145 -N -□□	101	32	151	76.5	125.5	71	19	71	59	81	2.5
LCS145 -F6 -□□	101	32	151	76.5	125.5	71	19	71	59	81	2.5
LCS145 -M2-□□	101	32	151	76.5	125.5	71	19	71	59	81	2.5
LCS145 -M4-□□	101	32	151	76.5	125.5	71	19	71	59	81	2.5
LCS145H -N -□□	101	40	151	76.5	125.5	71	27	71	59	81	2.5
LCS145H -F6 -□□	101	40	151	76.5	125.5	71	27	71	59	81	2.5
LCS145H -M2-□□	101	40	151	76.5	125.5	71	27	71	59	81	2.5
LCS145H -M4-□□	101	40	151	76.5	125.5	71	27	71	59	81	2.5
LCS165 -N -□□	85	32	171	63.5	148.5	59	19	53	67	92	2.5
LCS165 -M4-□□	85	32	171	63.5	148.5	59	19	53	67	92	2.5
LCS165H -N -□□	85	40	171	63.5	148.5	59	27	53	67	92	2.5
LCS165H -M4-□□	85	40	171	63.5	148.5	59	27	53	67	92	2.5

Gehäuse Maße

Enclosure dimensions



■ Bitte ergänzen Sie den Farbcode am Ende der Bestellnr. - ■ Please suffix color code at the end of the product number.

Best.-Nr. Product no.	W	H	D	a	b	c	d	e	f	Batteriefach Battery compartment
LCS115 -N -□□	69	19.5	115	54	100	48.1	12	10	9	None
LCS115 -F2 -□□	69	19.5	115	54	100	48.1	12	10	9	AAA x 2
LCS115 -F3 -□□	69	19.5	115	54	100	48.1	12	10	9	AAA x 3
LCS115H -N -□□	69	28	115	54	100	48.1	20.5	18.5	9	None
LCS115H -F2 -□□	69	28	115	54	100	48.1	20.5	18.5	9	AAA x 2
LCS115H -F3 -□□	69	28	115	54	100	48.1	20.5	18.5	9	AAA x 3
LCS115H -M2-□□	69	28	115	54	100	48.1	20.5	18.5	9	AA x 2
LCS115H -9V -□□	69	28	115	54	100	48.1	20.5	18.5	9	9V x 1
LCS135 -N -□□	76	27	135	58	117	55.1	19.5	13.5	13	None
LCS135 -F4 -□□	76	27	135	58	117	55.1	19.5	13.5	13	AAA x 4
LCS135 -M2-□□	76	27	135	58	117	55.1	19.5	13.5	13	AA x 2
LCS135 -M3-□□	76	27	135	58	117	55.1	19.5	13.5	13	AA x 3
LCS135 -9V -□□	76	27	135	58	117	55.1	19.5	13.5	13	9V x 1
LCS135H -N -□□	76	35	135	58	117	55.1	27.5	21.5	13	None
LCS135H -F4 -□□	76	35	135	58	117	55.1	27.5	21.5	13	AAA x 4
LCS135H -M2-□□	76	35	135	58	117	55.1	27.5	21.5	13	AA x 2
LCS135H -M3-□□	76	35	135	58	117	55.1	27.5	21.5	13	AA x 3
LCS135H -9V -□□	76	35	135	58	117	55.1	27.5	21.5	13	9V x 1
NEW LCS145S -N -□□	96	20	145	75	124	71.1	12.5	7.5	12	None
NEW LCS145S -F6 -□□	96	20	145	75	124	71.1	12.5	7.5	12	AAA x 6
NEW LCS145 -N -□□	96	27	145	75	124	71.1	19.5	14.5	12	None
NEW LCS145 -F6 -□□	96	27	145	75	124	71.1	19.5	14.5	12	AAA x 6
NEW LCS145 -M2-□□	96	27	145	75	124	71.1	19.5	14.5	12	AA x 2
NEW LCS145 -M4-□□	96	27	145	75	124	71.1	19.5	14.5	12	AA x 4
NEW LCS145H -N -□□	96	35	145	75	124	71.1	27.5	22.5	12	None
NEW LCS145H -F6 -□□	96	35	145	75	124	71.1	27.5	22.5	12	AAA x 6
NEW LCS145H -M2-□□	96	35	145	75	124	71.1	27.5	22.5	12	AA x 2
NEW LCS145H -M4-□□	96	35	145	75	124	71.1	27.5	22.5	12	AA x 4
LCS165 -N -□□	80	27	165	62	147	59.1	19.5	13.5	13	None
LCS165 -M4-□□	80	27	165	62	147	59.1	19.5	13.5	13	AA x 4
LCS165H -N -□□	80	35	165	62	147	59.1	27.5	21.5	13	None
LCS165H -M4-□□	80	35	165	62	147	59.1	27.5	21.5	13	AA x 4

Serie LC Kunststoffgehäuse für Handgeräte

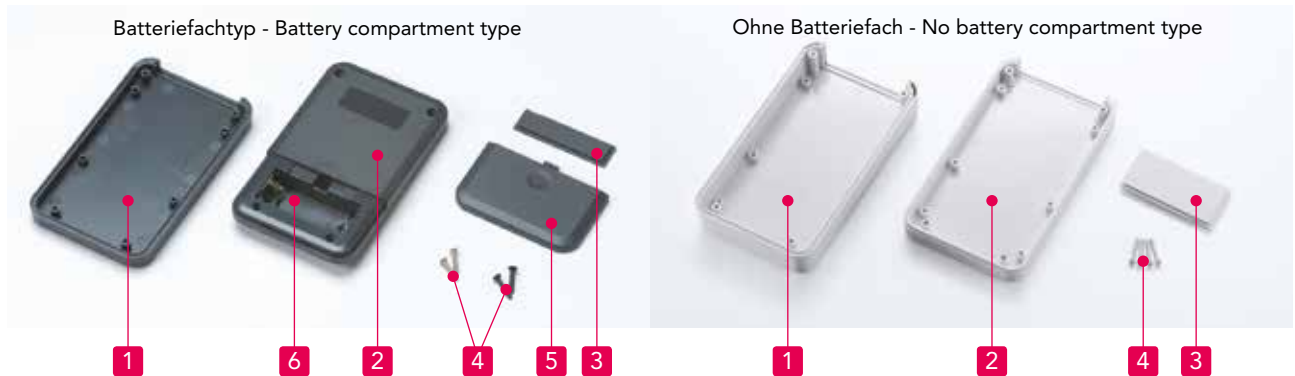
Series LC hand-held plastic case



Technische Daten
Schutzklasse: IP40 Temperaturbereich: -10°C ~ +60°C

Technical Data
Protection class: IP40 Operating temperature: -10°C ~ +60°C

- Designgehäuse mit abgeschrägten Ecken und runden Kanten, aus schwer entflammaren ABS UL94V-0 Material.
- Verfügbar mit 9 verschiedenen Batteriefachtypen: AAx2, AAx3, AAx4, AAAx2, AAAx3, AAAx4, AAAx6, 9Vx1, und ohne Batteriefach.
- Positiv (+) / Negativ (-) Markierungen innerhalb des Batteriefaches.
- Nutzbar für mobile Messgeräte, Testgeräte, Kommunikationsgeräte oder medizinische Geräte.
- Designed with beveled edges and rounded corners, and manufactured from flame-retardant ABS UL94V-0 material.
- Available in 9 different compartment types: AAx2, AAx3, AAx4, AAAx2, AAAx3, AAAx4, AAAx6, 9Vx1, and no battery compartment type.
- Positive (+) / negative (-) pole mark are incused within each battery compartment.
- Recommended to be used as measurement instruments, testing devices, wireless communication gadgets, medical equipment, and so on.



Einzelteile

Nr.	Bezeichnung	Stück	Material	Farbe / Oberfläche
1	Deckel	1	ABS UL94V-0	Weißgrau • Dunkelgrau
2	Boden	1	ABS UL94V-0	Weißgrau • Dunkelgrau
3	Blende	1	ABS UL94V-0	Weißgrau • Dunkelgrau
4	Schrauben (selbstschneidend)	4	Stahl M2.6	Vernickelt • Schwarz chromatiert
5	Batteriefachdeckel	1	ABS UL94V-0	Weißgrau • Dunkelgrau
6	Batteriekontakt • Batterieaufnahme	1 Satz	Messing • Messing : PVC	Vernickelt • Vernickelt : Schwarz

Components

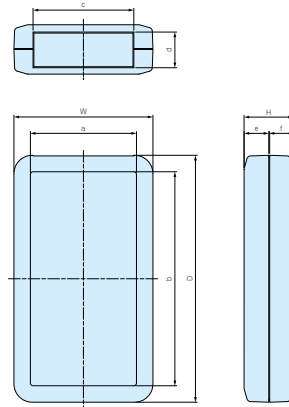
No.	Part name	Pcs	Material	Color / Finish
1	Top cover	1	ABS UL94V-0	Off-white • Dark gray
2	Bottom cover	1	ABS UL94V-0	Off-white • Dark gray
3	Panel	1	ABS UL94V-0	Off-white • Dark gray
4	Self tapping screw	4	Steel M2.6	Nickel plated • Black trivalent chromate
5	Battery cover	1	ABS UL94V-0	Off-white • Dark gray
6	Battery contact • Battery snap	1 set	Brass • Brass : PVC	Nickel plated • Nickel plated : Black

Zubehör (optional erhältlich) - Accessories (optional parts)

 PCB Montageschraube PCB mounting screw EM-2.3	 TORX Schraube TORX screw MR series	 Abstandsbolzen Tapping standoff TPS series	 Wandmontagehalterung Wall suspension bracket WM series	 Neodymium magnet NMG series	 Schlüsselring Tragschleife Key ring / Strap CR • STP series
--	---	---	--	---	--

Serie LC Kunststoffgehäuse für Handgeräte

Series LC hand-held plastic case



Batteriefachtypen - Battery Compartment Type

Type	N None	F2 AAAx2	F3 AAAx3	F4 AAAx4	F6 AAAx6	M2 AAx2	M3 AAx3	M4 AAx4	9V 9Vx1
Batteriefach Battery compartment									

Best.-Nr. / Maße - Product no. / Dimensions

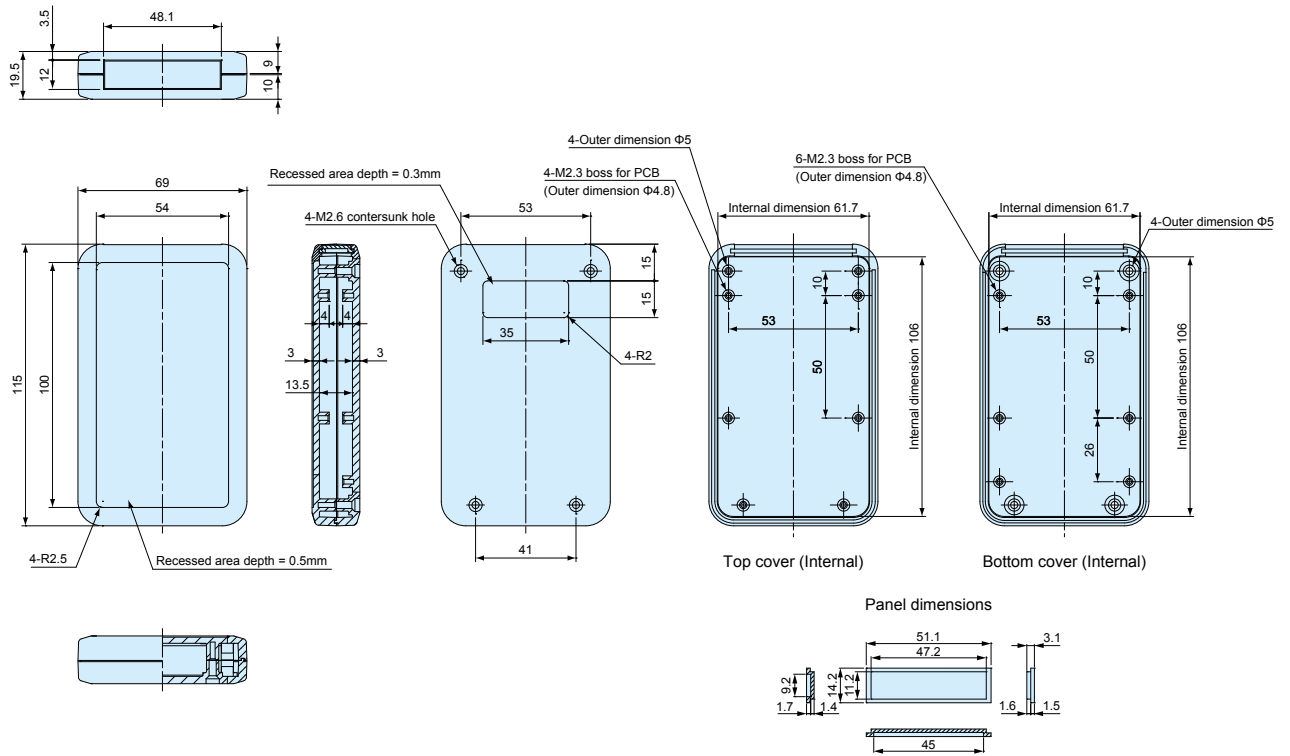
■ Bitte ergänzen Sie den Farbcode am Ende der Bestellnr. - ■ Please suffix color code at the end of the product number.

Best.-Nr. - Product no.		W	H	D	a	b	c	d	e	f	Batteriefach Battery compartment	Gewicht Weight (g)
● Dark gray	● Off-white											
LC115 -N -D	LC115 -N -W	69	19.5	115	54	100	48.1	12	10	9	None	70
LC115 -F2 -D	LC115 -F2 -W	69	19.5	115	54	100	48.1	12	10	9	AAA x 2	74.5
LC115 -F3 -D	LC115 -F3 -W	69	19.5	115	54	100	48.1	12	10	9	AAA x 3	76.5
LC115H -N -D	LC115H -N -W	69	28	115	54	100	48.1	20.5	18.5	9	None	80
LC115H -F2 -D	LC115H -F2 -W	69	28	115	54	100	48.1	20.5	18.5	9	AAA x 2	84.5
LC115H -F3 -D	LC115H -F3 -W	69	28	115	54	100	48.1	20.5	18.5	9	AAA x 3	86
LC115H -M2 -D	LC115H -M2 -W	69	28	115	54	100	48.1	20.5	18.5	9	AA x 2	88.5
LC115H -9V -D	LC115H -9V -W	69	28	115	54	100	48.1	20.5	18.5	9	9V x 1	88
LC135 -N -D	LC135 -N -W	76	27	135	58	117	55.1	19.5	13.5	13	None	95
LC135 -F4 -D	LC135 -F4 -W	76	27	135	58	117	55.1	19.5	13.5	13	AAA x 4	110
LC135 -M2 -D	LC135 -M2 -W	76	27	135	58	117	55.1	19.5	13.5	13	AA x 2	108
LC135 -M3 -D	LC135 -M3 -W	76	27	135	58	117	55.1	19.5	13.5	13	AA x 3	113.5
LC135 -9V -D	LC135 -9V -W	76	27	135	58	117	55.1	19.5	13.5	13	9V x 1	111.5
LC135H -N -D	LC135H -N -W	76	35	135	58	117	55.1	27.5	21.5	13	None	107.5
LC135H -F4 -D	LC135H -F4 -W	76	35	135	58	117	55.1	27.5	21.5	13	AAA x 4	122
LC135H -M2 -D	LC135H -M2 -W	76	35	135	58	117	55.1	27.5	21.5	13	AA x 2	121
LC135H -M3 -D	LC135H -M3 -W	76	35	135	58	117	55.1	27.5	21.5	13	AA x 3	126
LC135H -9V -D	LC135H -9V -W	76	35	135	58	117	55.1	27.5	21.5	13	9V x 1	123.5
NEW LC145S -N -D	NEW LC145S -N -W	96	20	145	75	124	71.1	12.5	7.5	12	None	110
NEW LC145S -F6 -D	NEW LC145S -F6 -W	96	20	145	75	124	71.1	12.5	7.5	12	AAA x 6	130
NEW LC145 -N -D	NEW LC145 -N -W	96	27	145	75	124	71.1	19.5	14.5	12	None	121
NEW LC145 -F6 -D	NEW LC145 -F6 -W	96	27	145	75	124	71.1	19.5	14.5	12	AAA x 6	141
NEW LC145 -M2 -D	NEW LC145 -M2 -W	96	27	145	75	124	71.1	19.5	14.5	12	AA x 2	135
NEW LC145 -M4 -D	NEW LC145 -M4 -W	96	27	145	75	124	71.1	19.5	14.5	12	AA x 4	142
NEW LC145H -N -D	NEW LC145H -N -W	96	35	145	75	124	71.1	27.5	22.5	12	None	135
NEW LC145H -F6 -D	NEW LC145H -F6 -W	96	35	145	75	124	71.1	27.5	22.5	12	AAA x 6	155.5
NEW LC145H -M2 -D	NEW LC145H -M2 -W	96	35	145	75	124	71.1	27.5	22.5	12	AA x 2	149
NEW LC145H -M4 -D	NEW LC145H -M4 -W	96	35	145	75	124	71.1	27.5	22.5	12	AA x 4	156
LC165 -N -D	LC165 -N -W	80	27	165	62	147	59.1	19.5	13.5	13	None	120.5
LC165 -M4 -D	LC165 -M4 -W	80	27	165	62	147	59.1	19.5	13.5	13	AA x 4	140
LC165H -N -D	LC165H -N -W	80	35	165	62	147	59.1	27.5	21.5	13	None	134.5
LC165H -M4 -D	LC165H -M4 -W	80	35	165	62	147	59.1	27.5	21.5	13	AA x 4	153.5

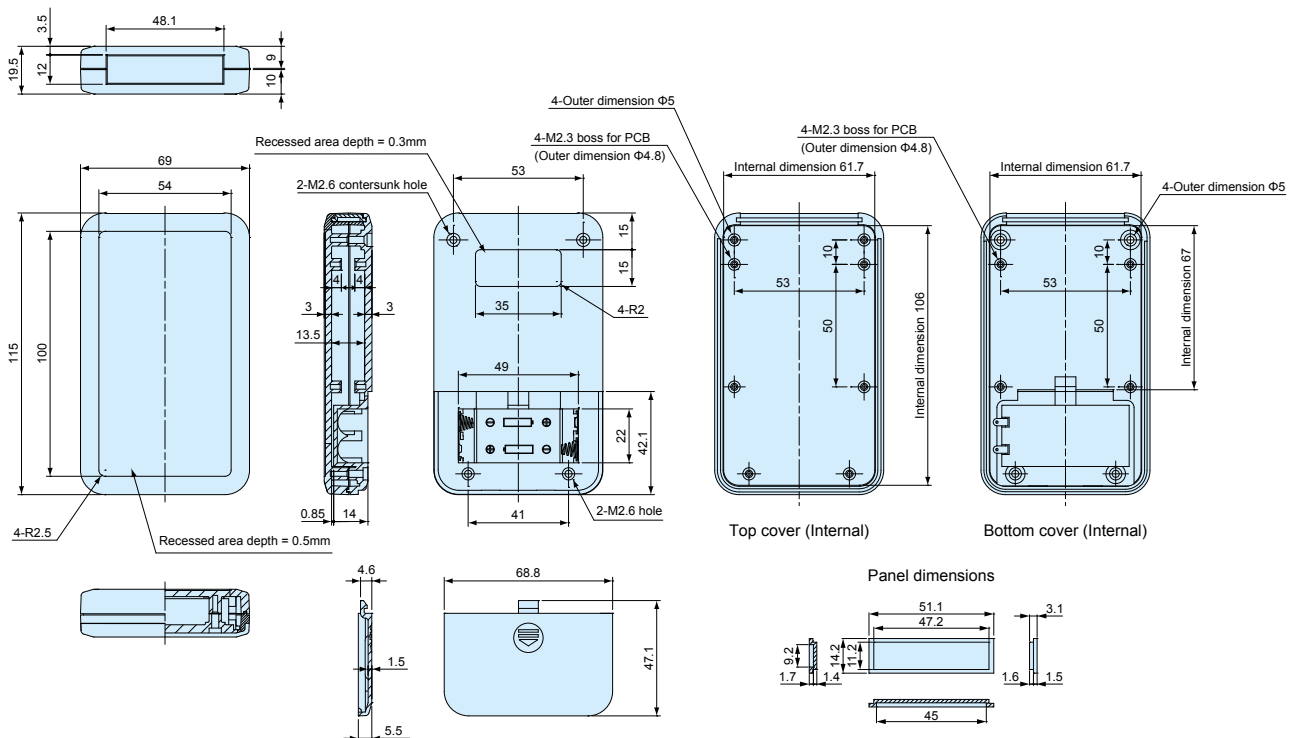
Serie LCT - LCS - LC - LCE
Maße

Series LCT - LCS - LC - LCE
dimensions

LCT115-N / LCS115-N / LC115-N



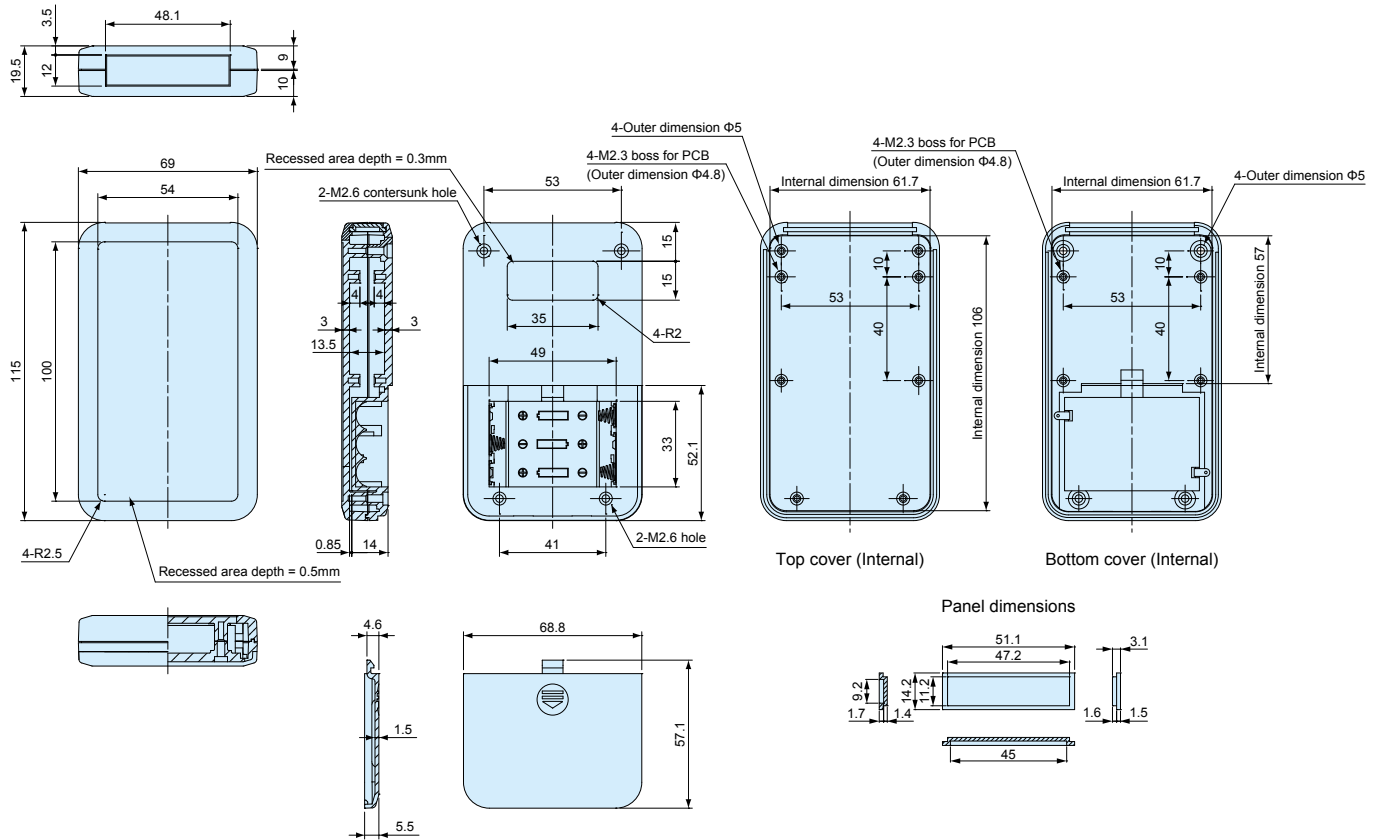
LCT115-F2 / LCS115-F2 / LC115-F2



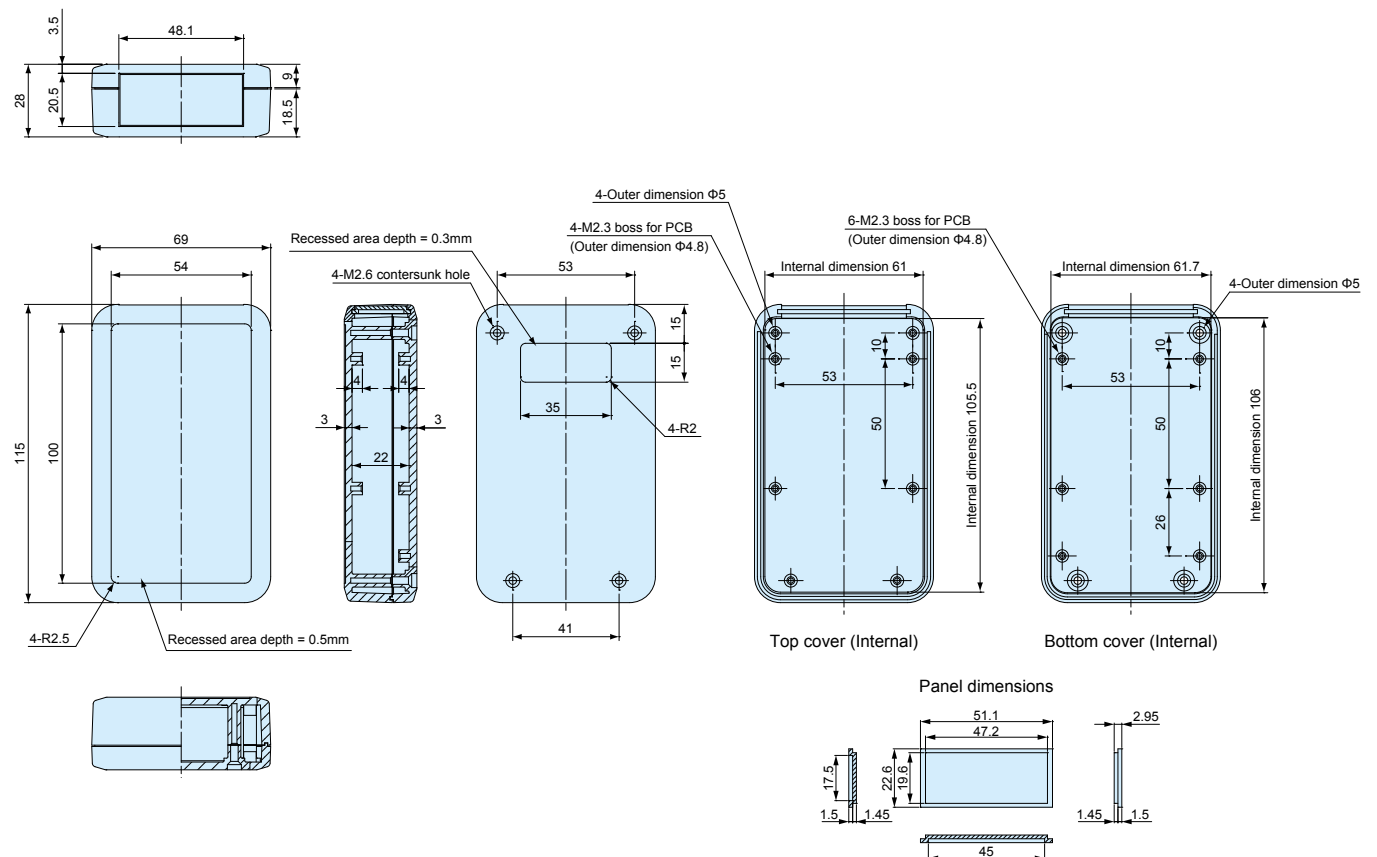
Serie LCT - LCS - LC - LCE Maße

Series LCT - LCS - LC - LCE dimensions

LCT115-F3 / LCS115-F3 / LC115-F3



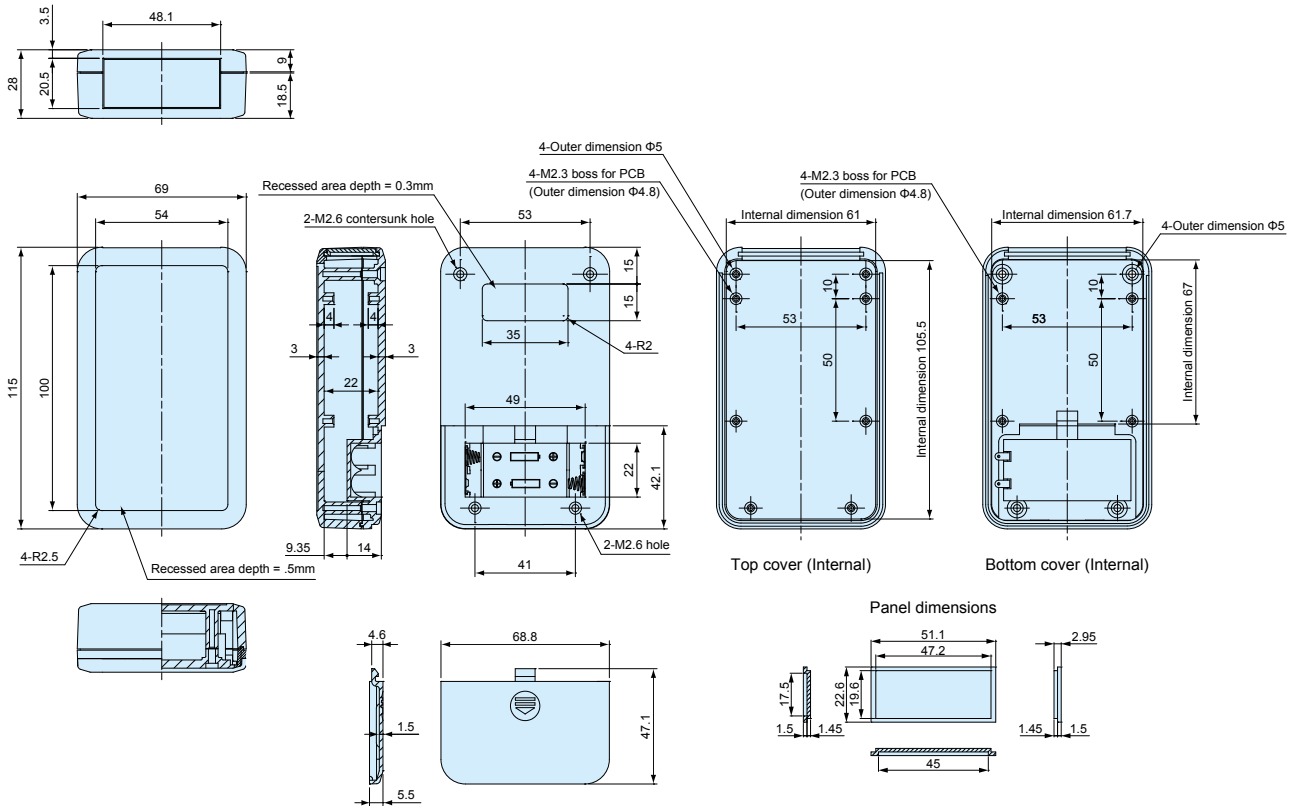
LCT115H-N / LCS115H-N / LC115H-N



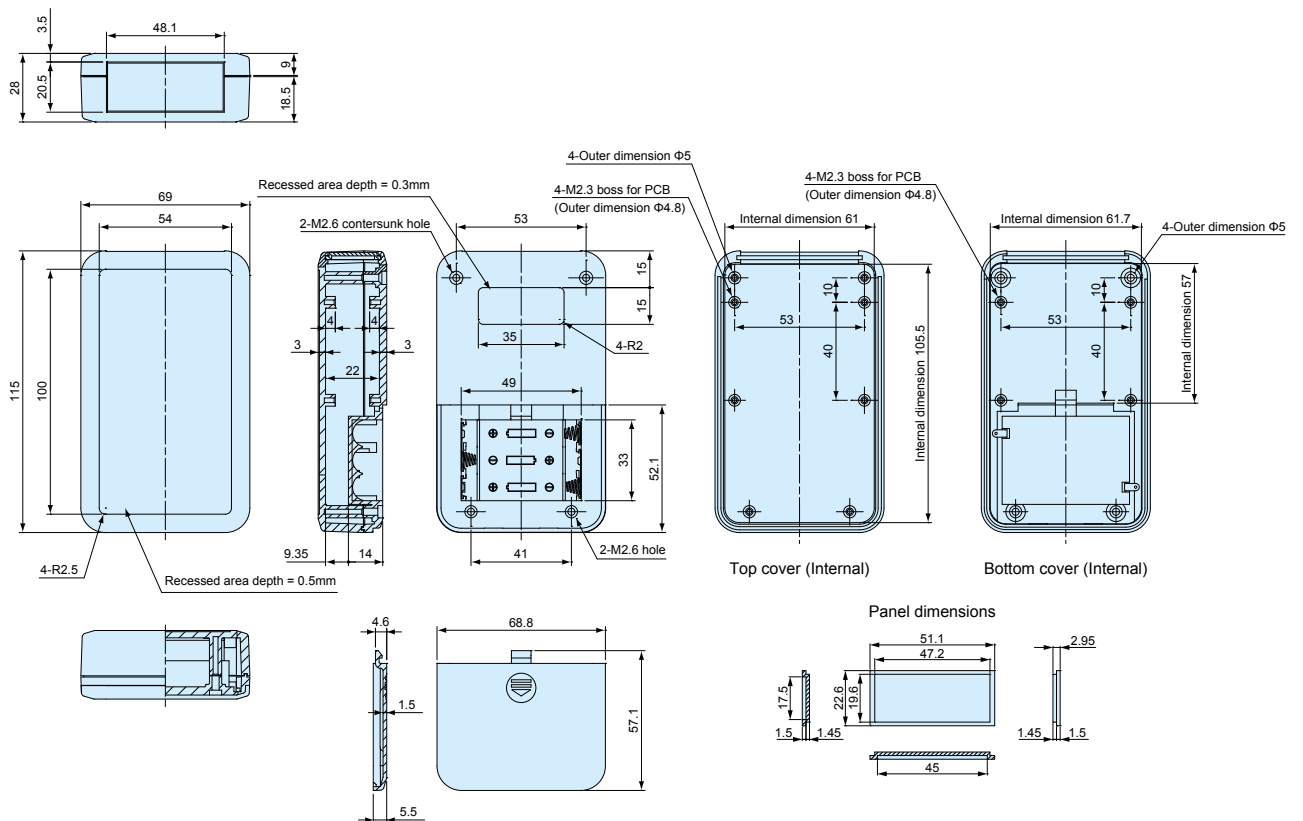
Serie LCT - LCS - LC - LCE
Maße

Series LCT - LCS - LC - LCE
dimensions

LCT115H-F2 / LCS115H-F2 / LC115H-F2



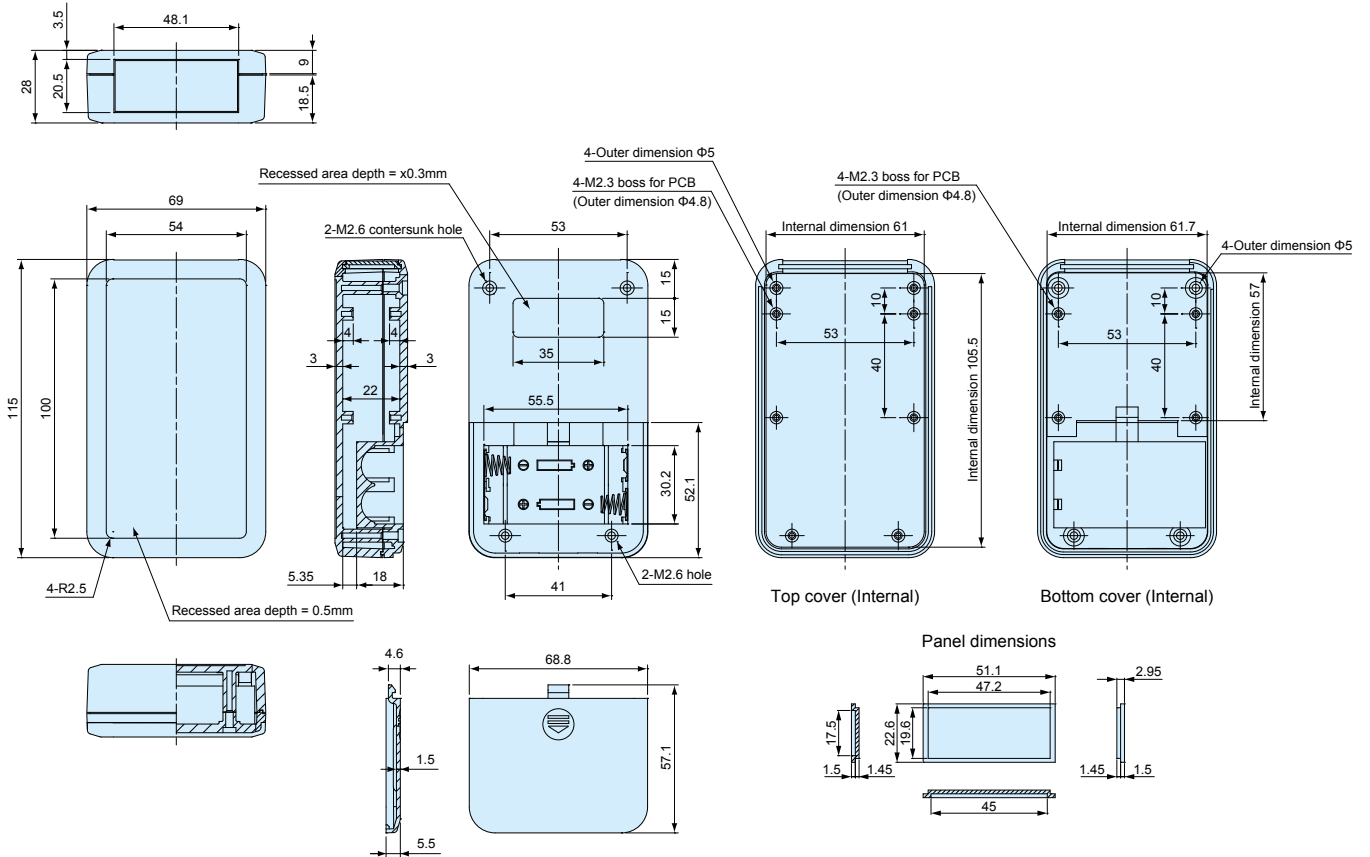
LCT115H-F3 / LCS115H-F3 / LC115H-F3



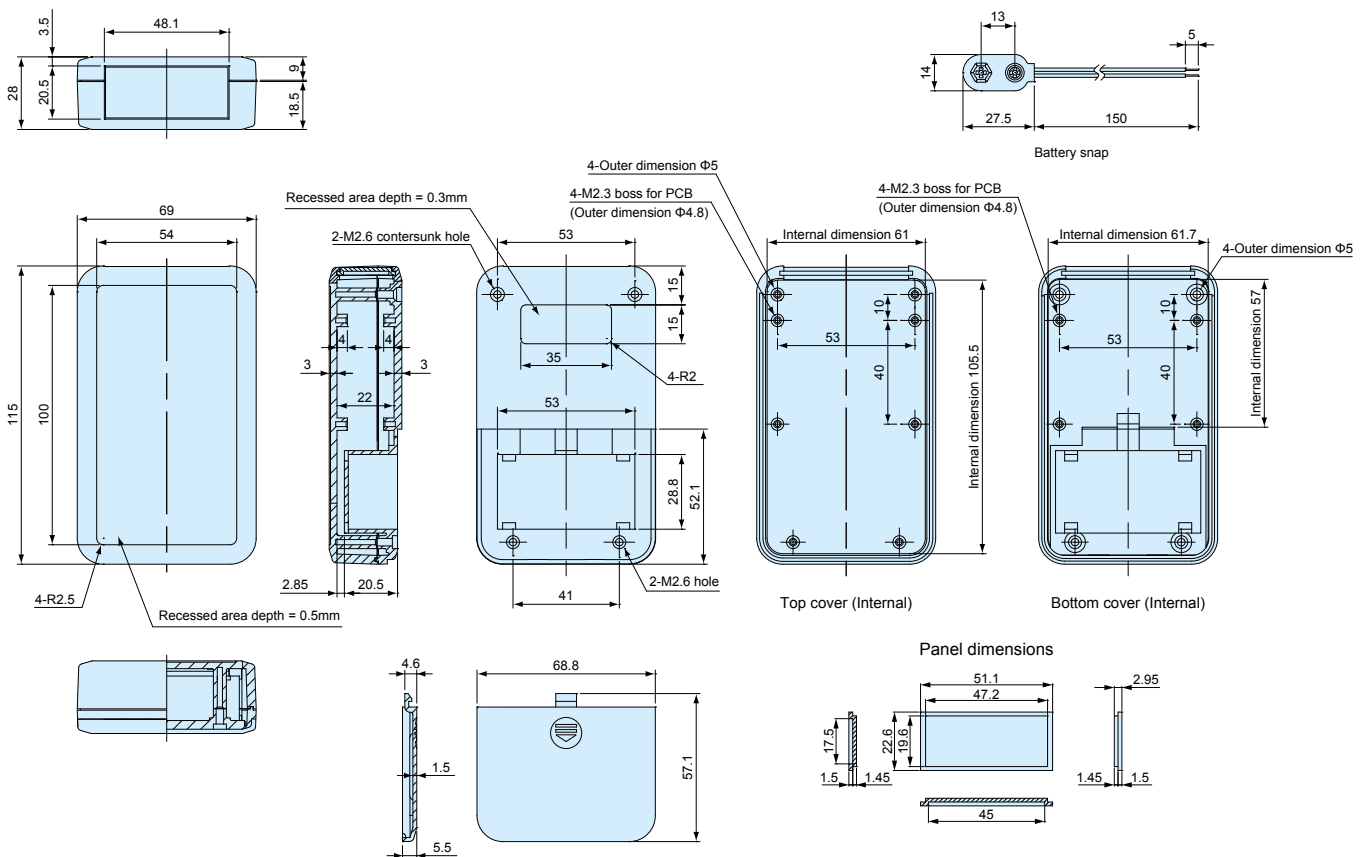
Serie LCT - LCS - LC - LCE Maße

Series LCT - LCS - LC - LCE dimensions

LCT115H-M2 / LCS115H-M2 / LC115H-M2



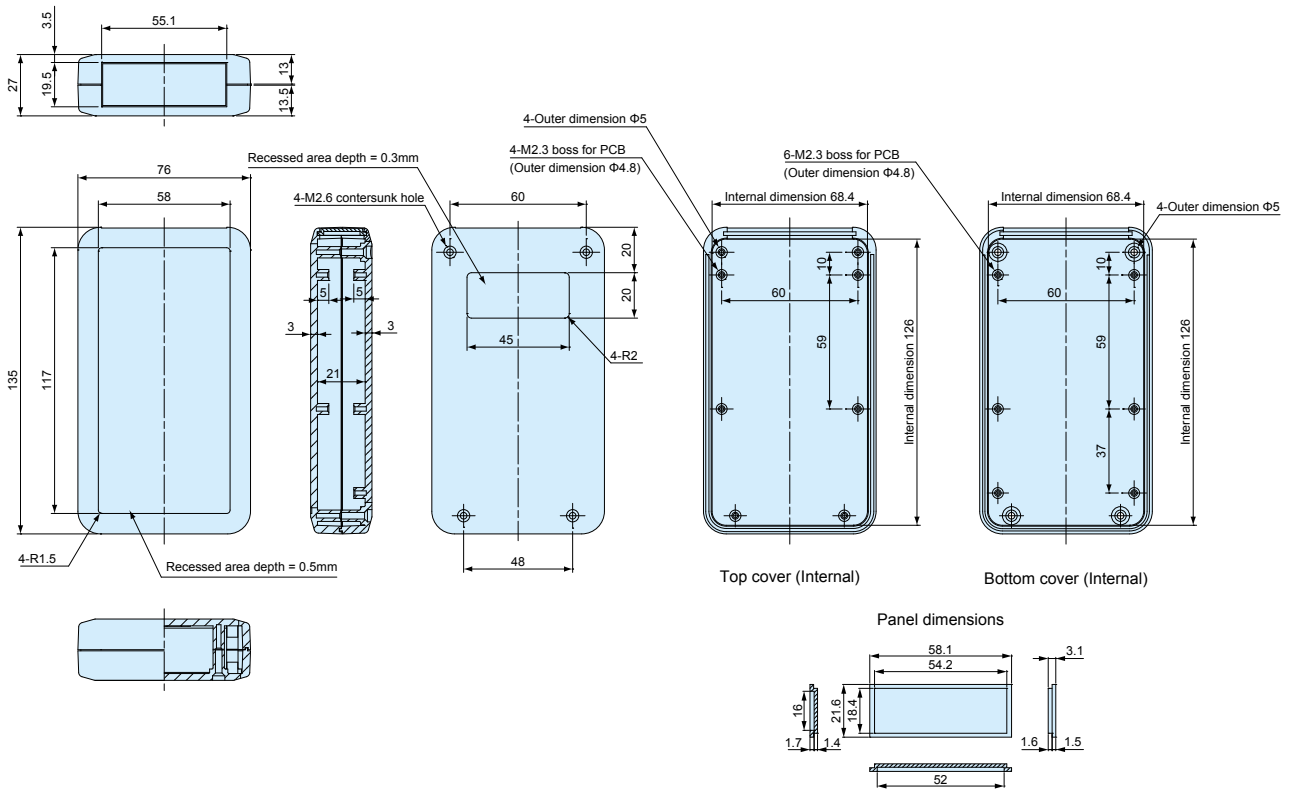
LCT115H-9V / LCS115H-9V / LC115H-9V



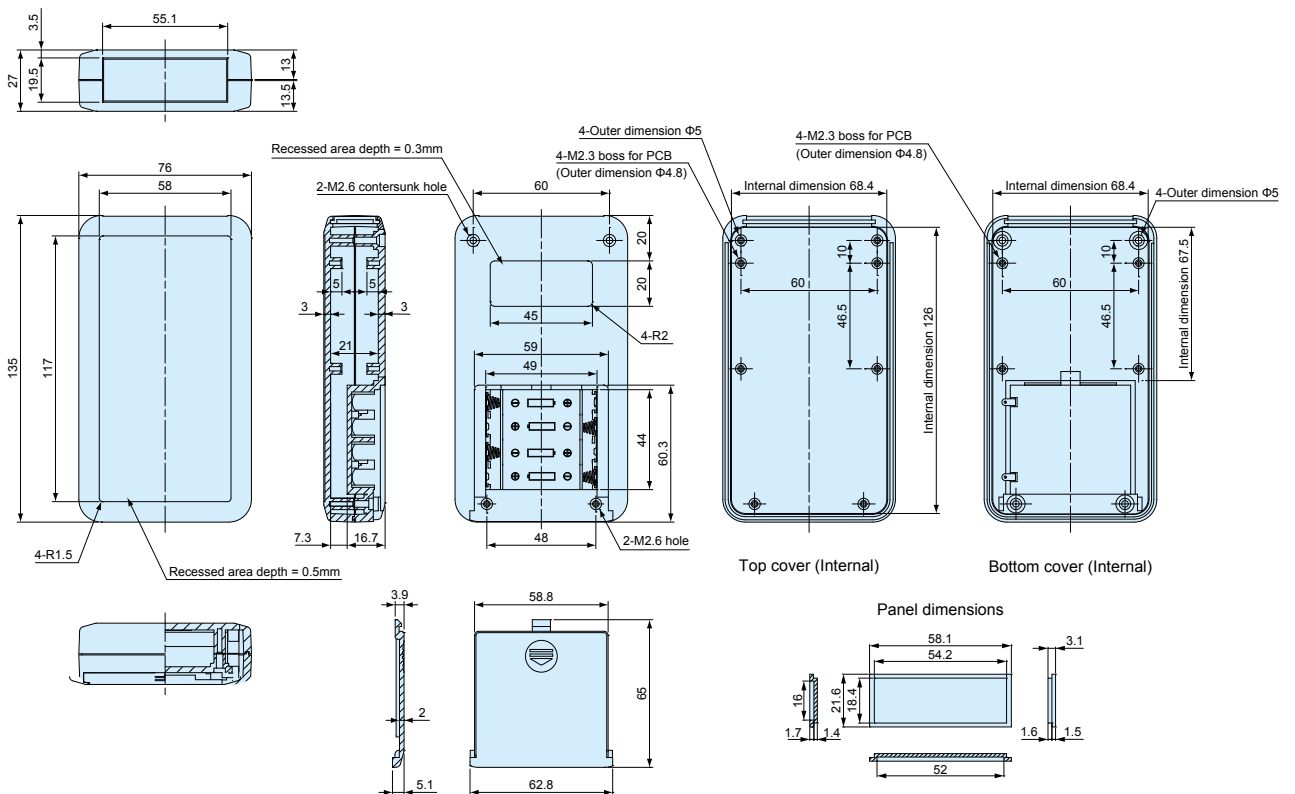
Serie LCT - LCS - LC - LCE
Maße

Series LCT - LCS - LC - LCE
dimensions

LCT135-N / LCS135-N / LC135-N



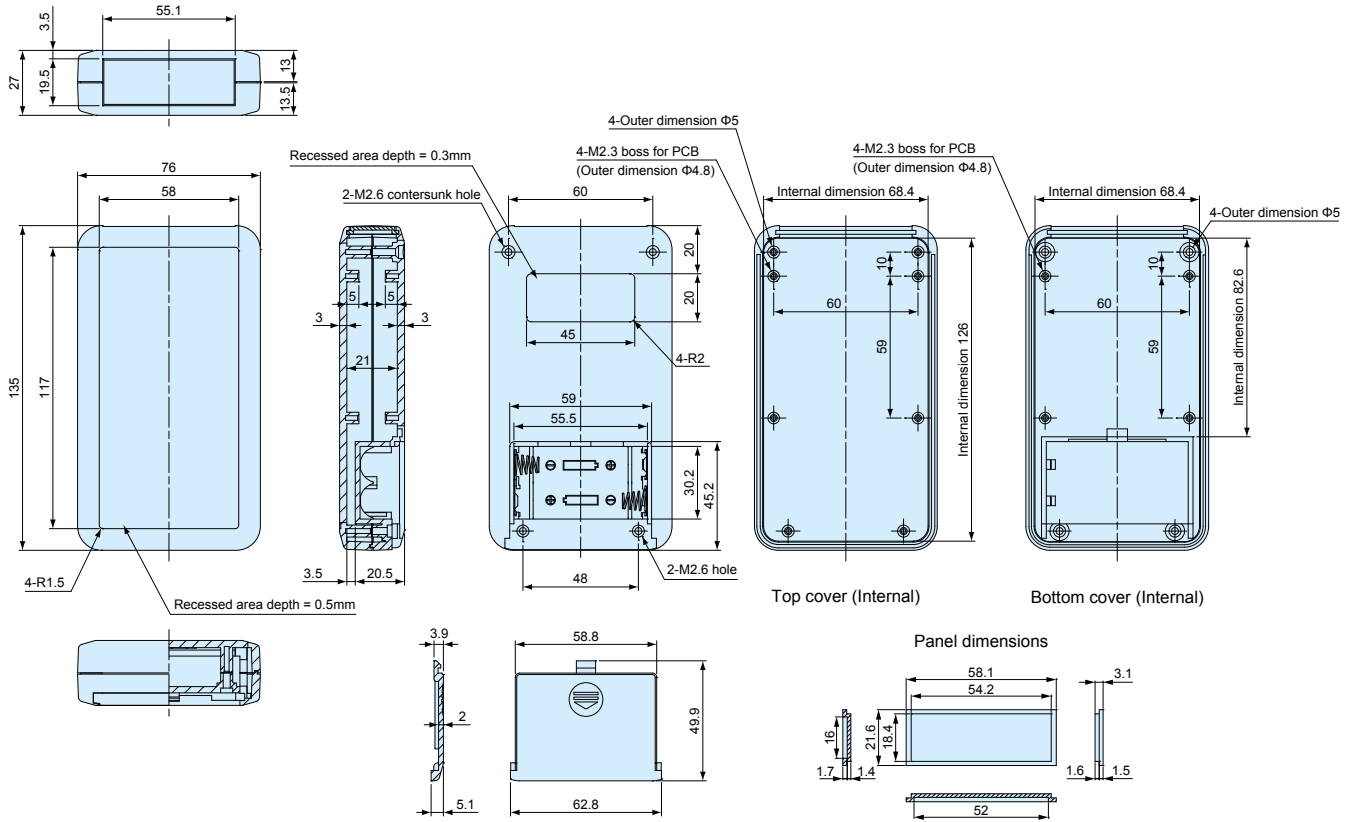
LCT135-F4 / LCS135-F4 / LC135-F4



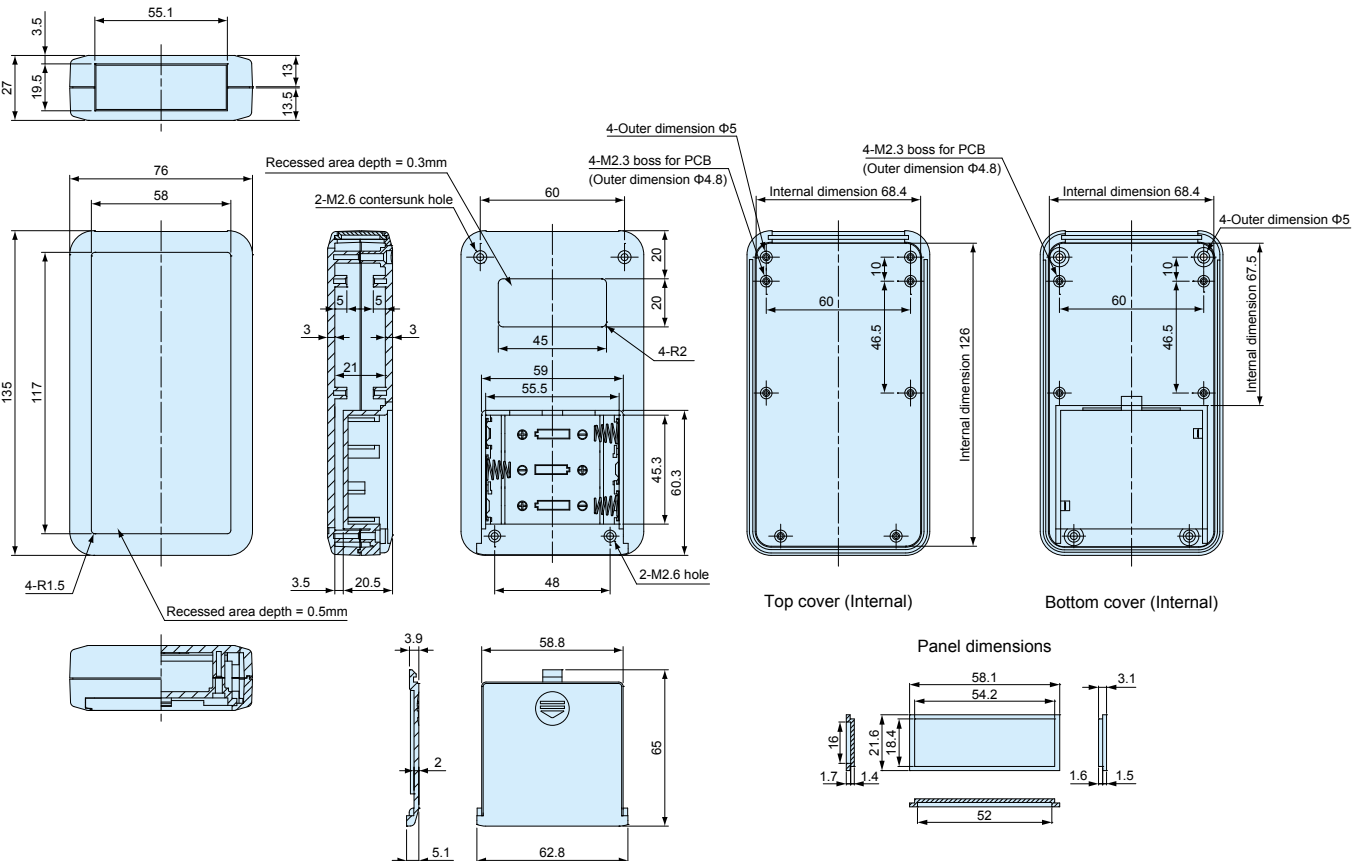
Serie LCT - LCS - LC - LCE Maße

Series LCT - LCS - LC - LCE dimensions

LCT135-M2 / LCS135-M2 / LC135-M2



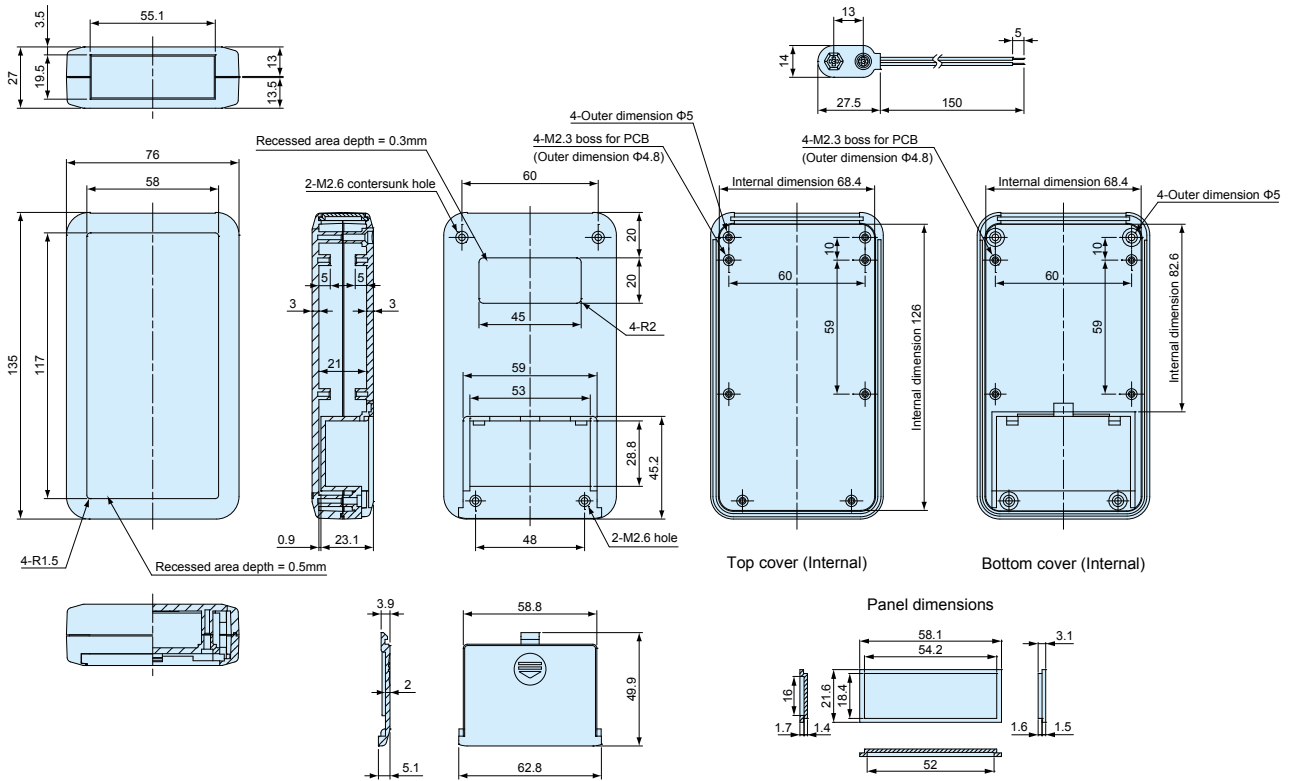
LCT135-M3 / LCS135-M3 / LC135-M3



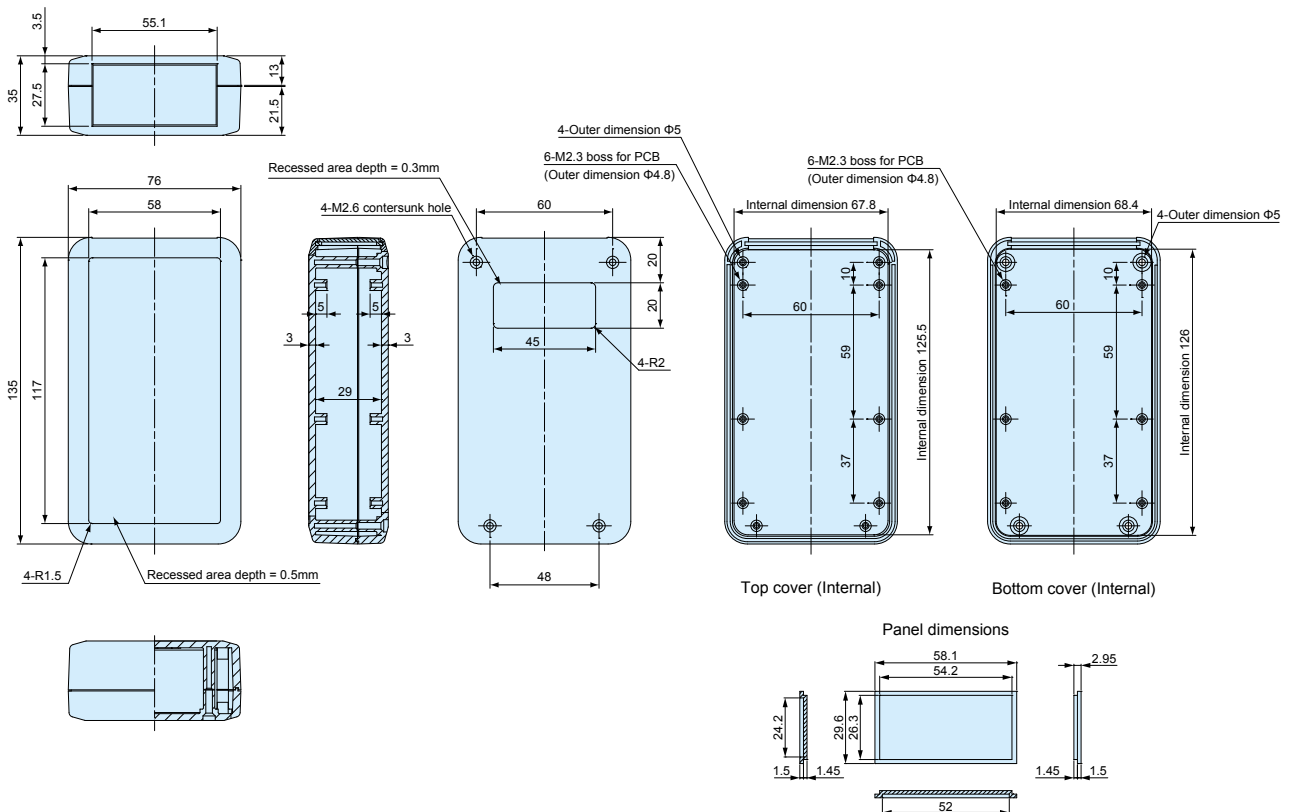
Serie LCT - LCS - LC - LCE Maße

Series LCT - LCS - LC - LCE dimensions

LCT135-9V / LCS135-9V / LC135-9V



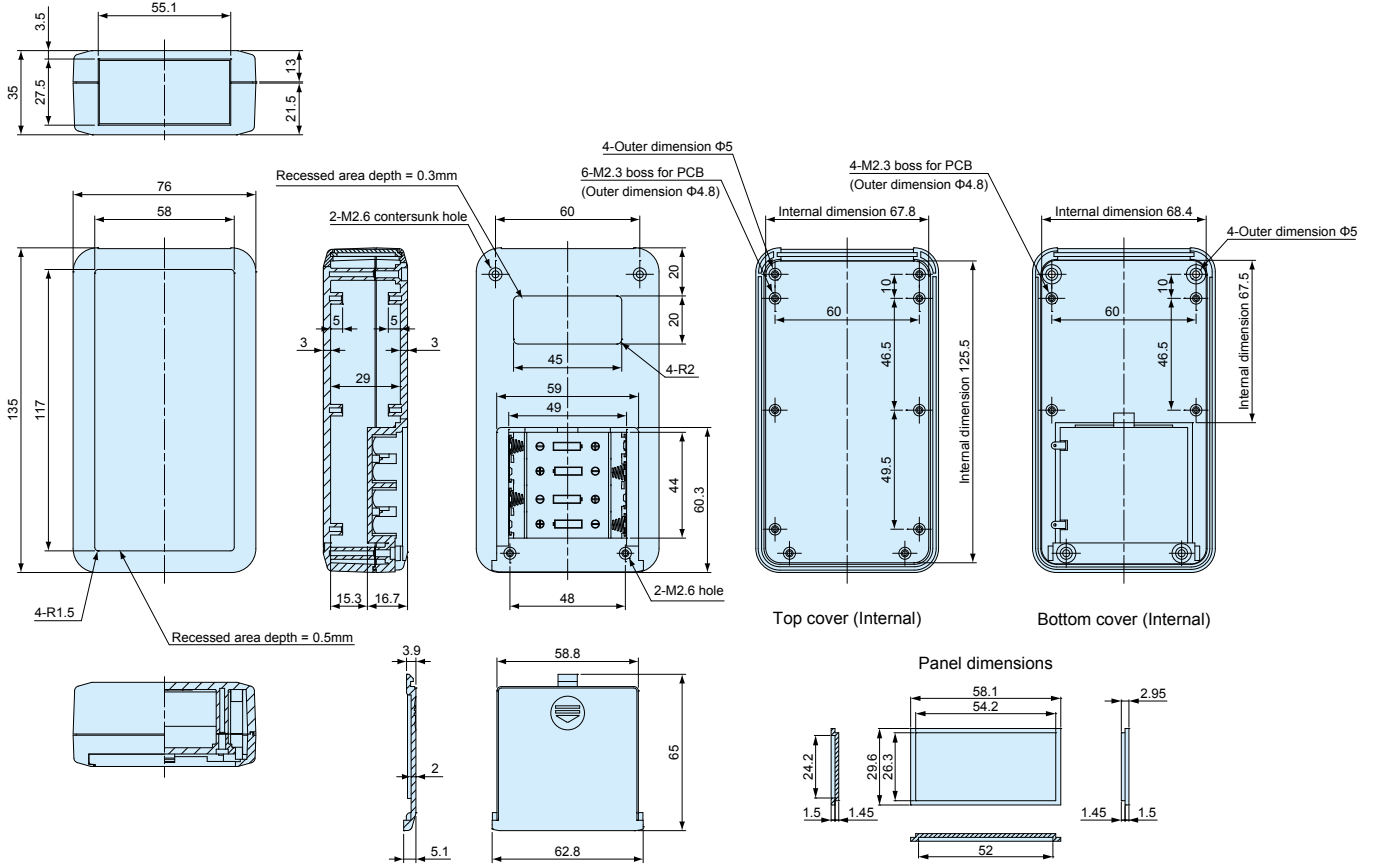
LCT135H-N / LCS135H-N / LC135H-N



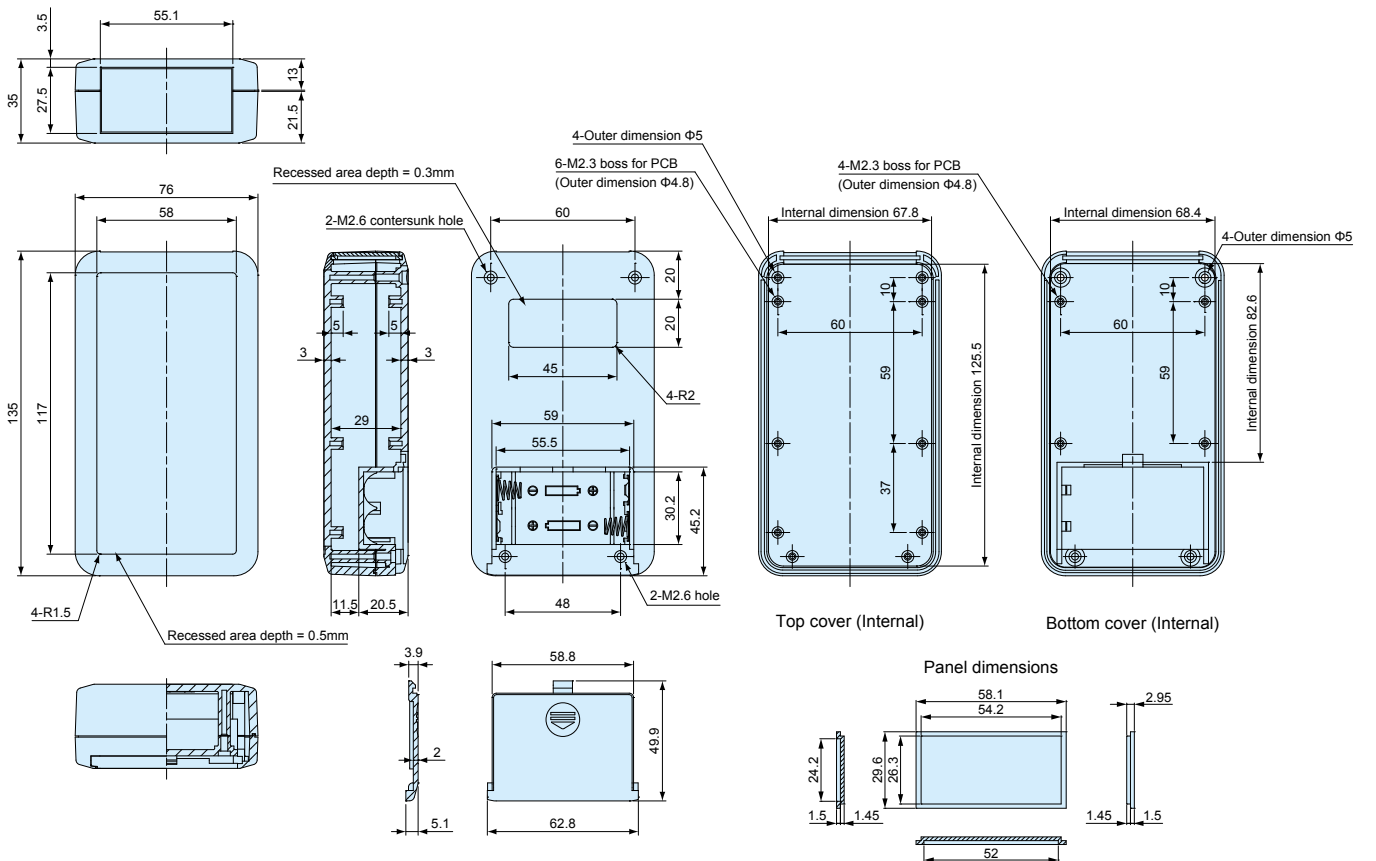
Serie LCT - LCS - LC - LCE Maße

Series LCT - LCS - LC - LCE dimensions

LCT135H-F4 / LCS135H-F4 / LC135H-F4



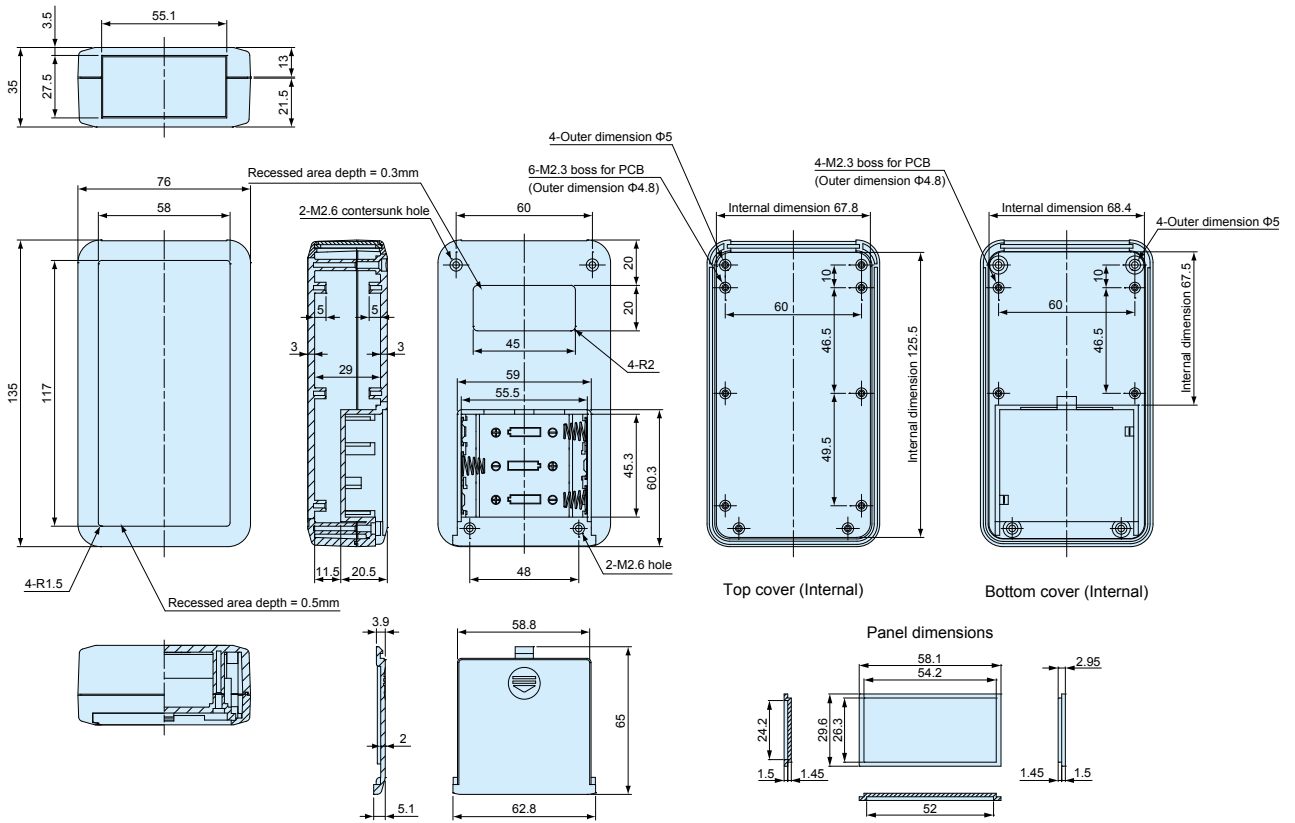
LCT135H-M2 / LCS135H-M2 / LC135H-M2



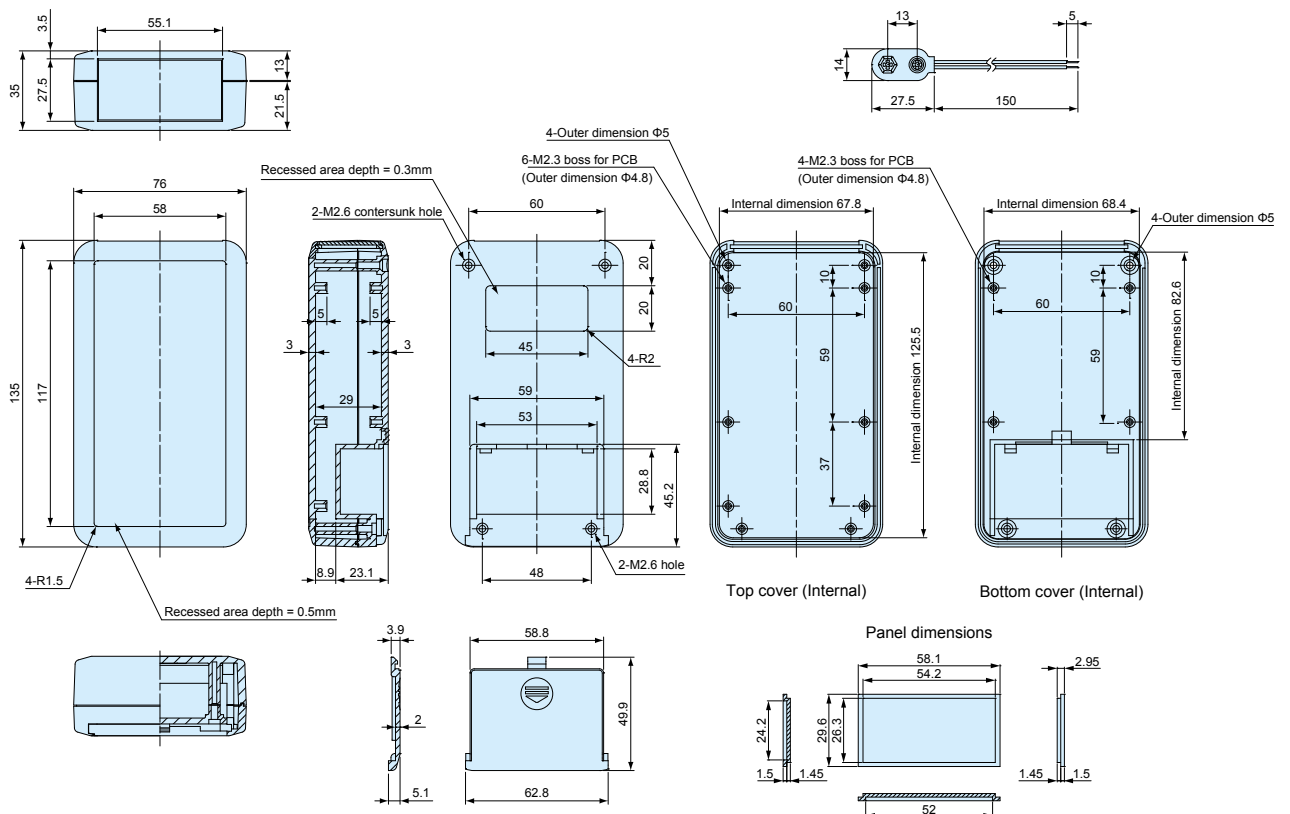
Serie LCT - LCS - LC - LCE
Maße

Series LCT - LCS - LC - LCE
dimensions

LCT135H-M3 / LCS135H-M3 / LC135H-M3



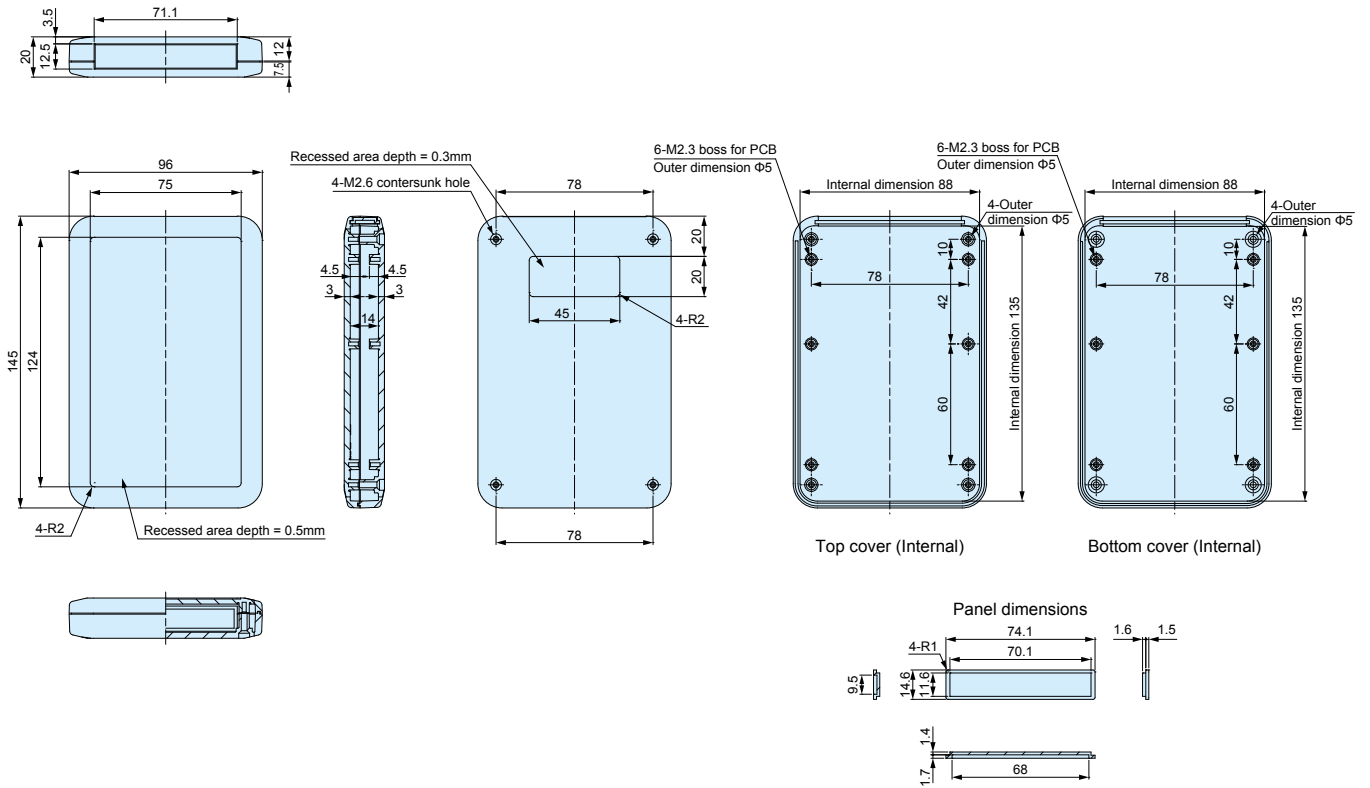
LCT135H-9V / LCS135H-9V / LC135H-9V



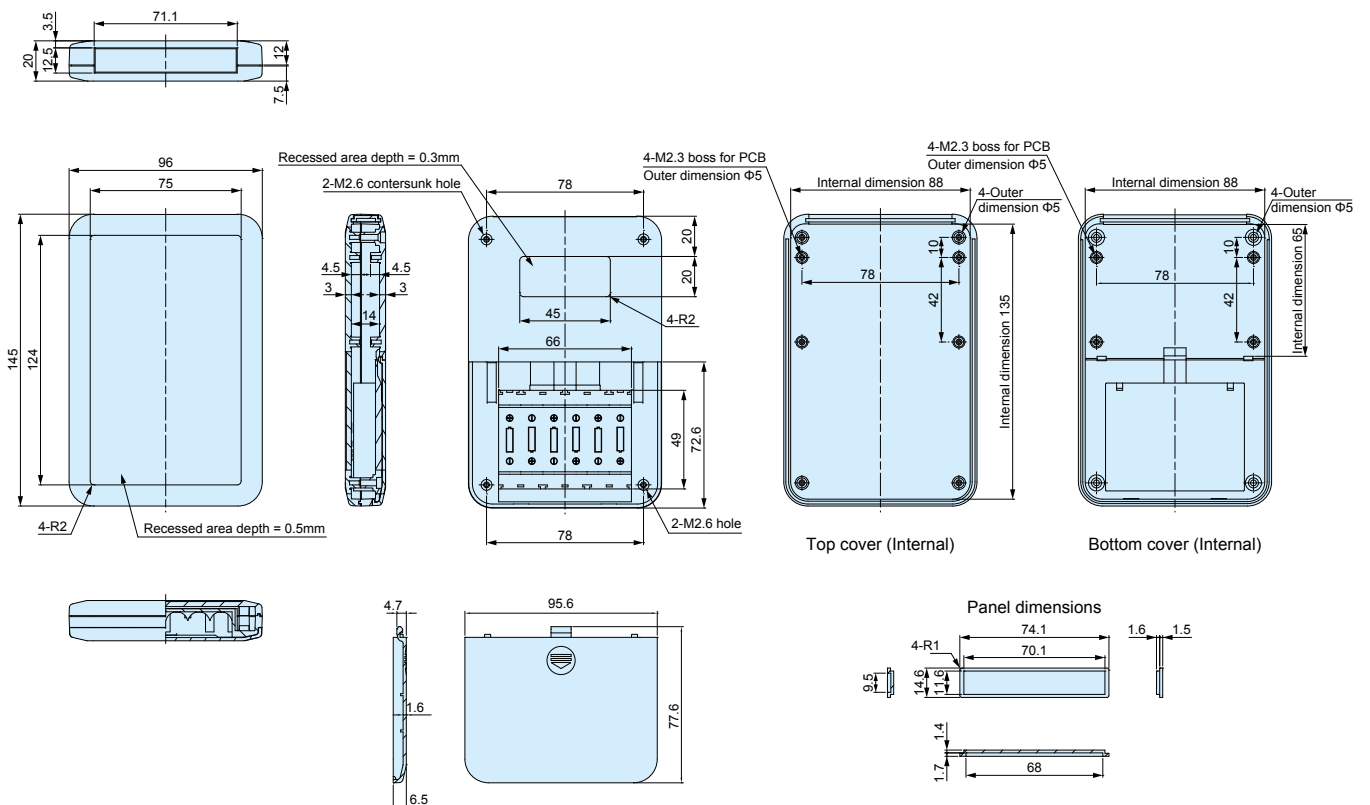
Serie LCT - LCS - LC - LCE Maße

Series LCT - LCS - LC - LCE dimensions

LCT145S-N / LCS145S-N / LC145S-N



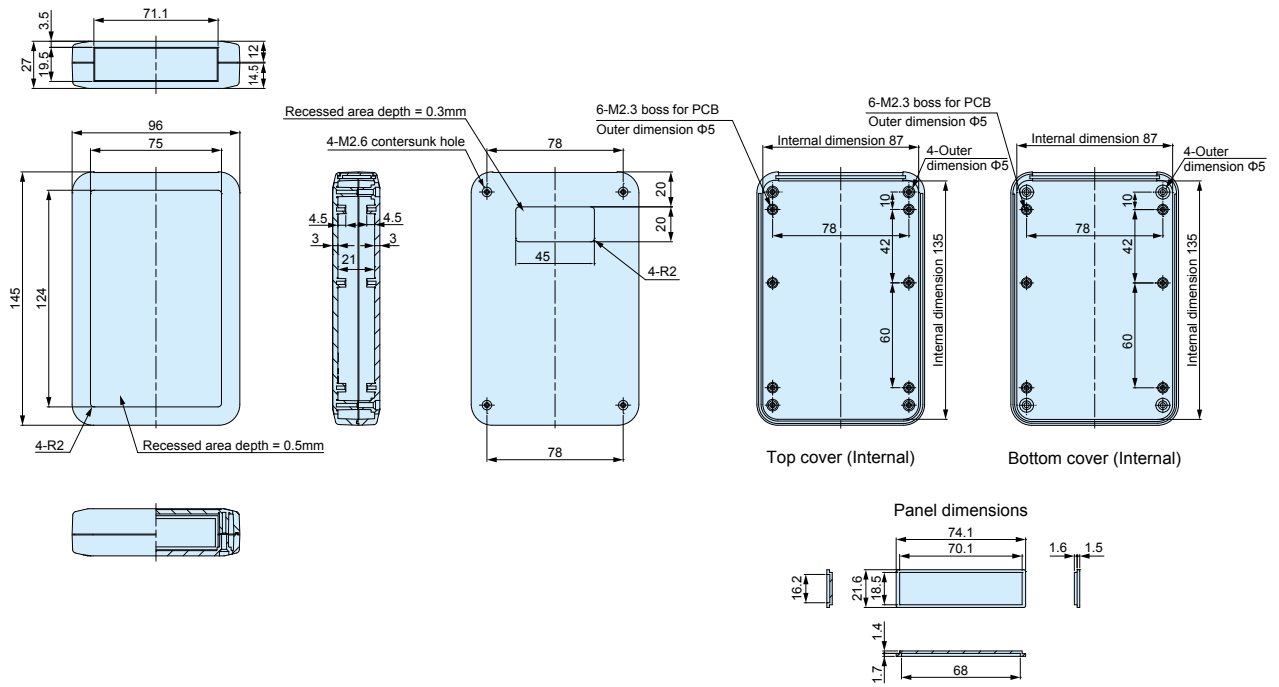
LCT145S-F6 / LCS145S-F6 / LC145S-F6



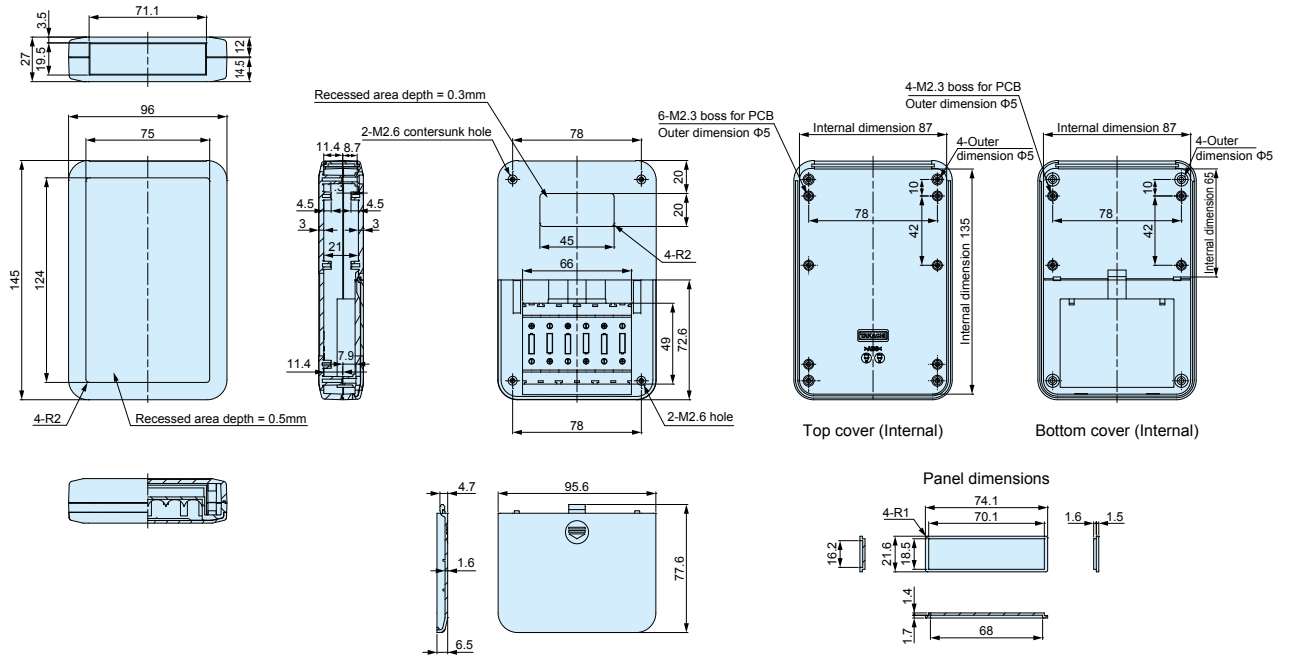
Serie LCT - LCS - LC - LCE
Maße

Series LCT - LCS - LC - LCE
dimensions

LCT145-N / LCS145-N / LC145-N



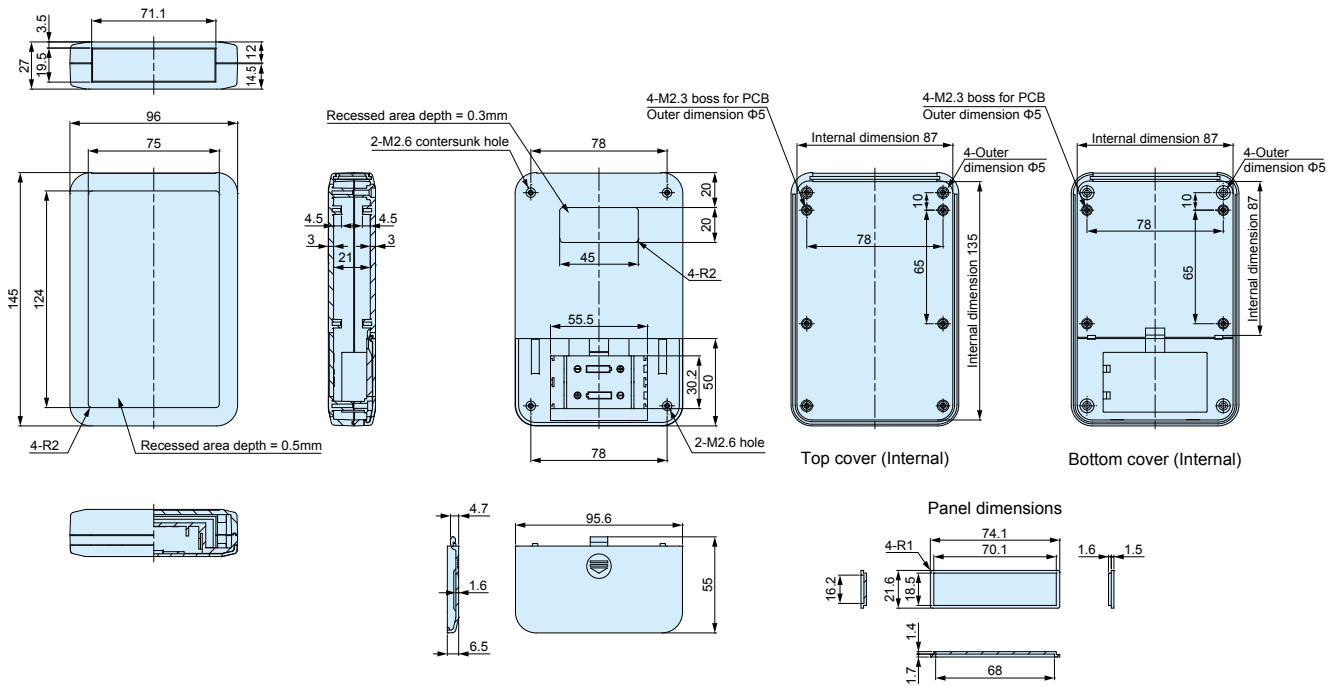
LCT145-F6 / LCS145-F6 / LC145-F6



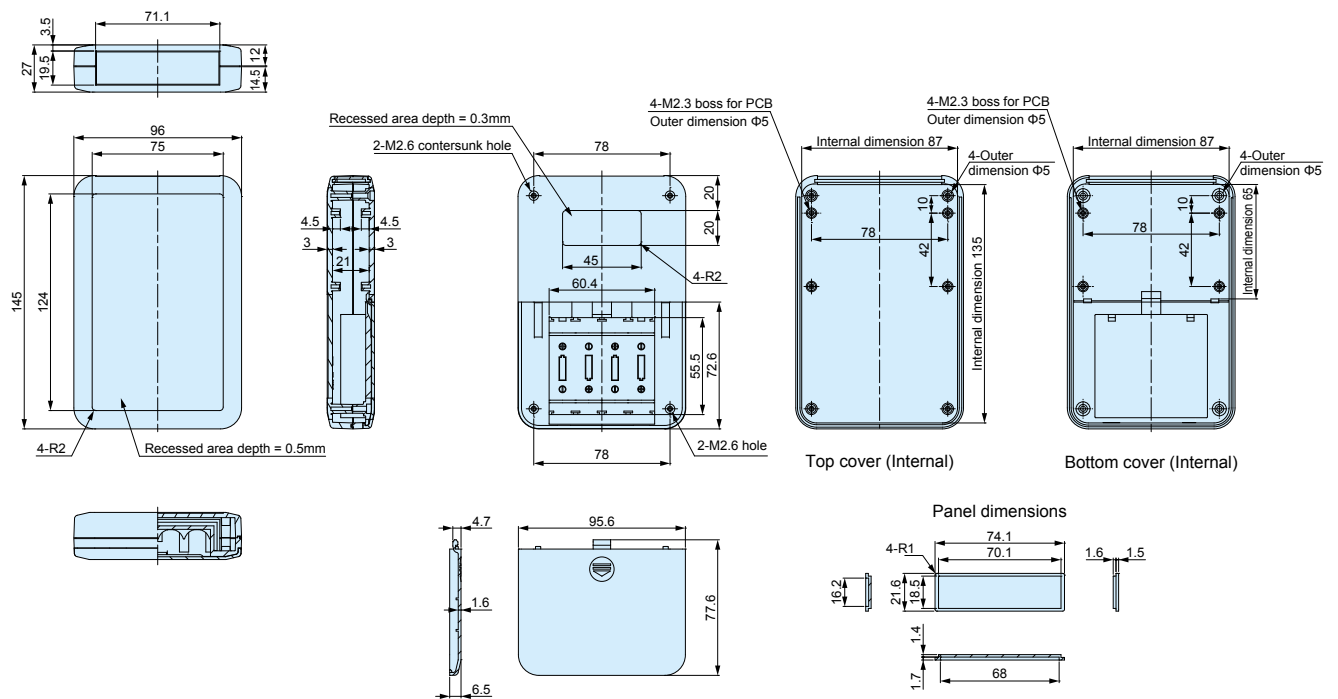
Serie LCT - LCS - LC - LCE Maße

Series LCT - LCS - LC - LCE dimensions

LCT145-M2 / LCS145-M2 / LC145-M2



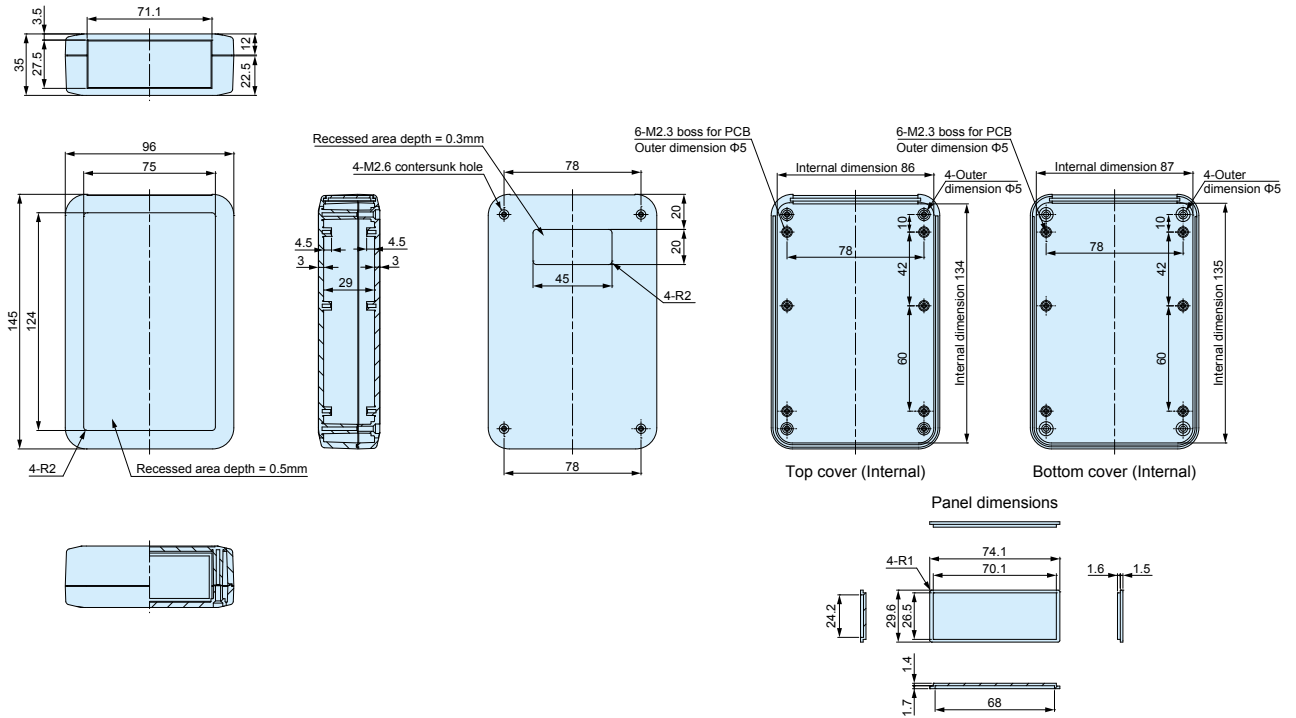
LCT145-M4 / LCS145-M4 / LC145-M4



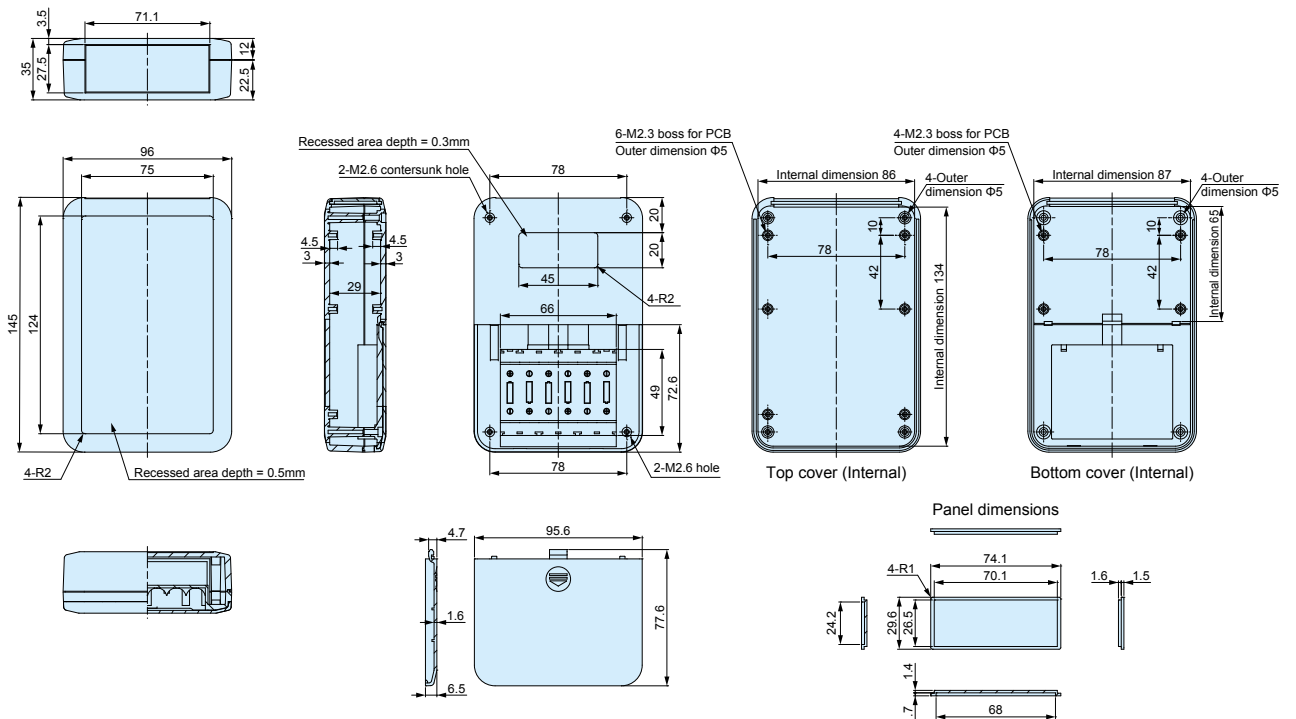
Serie LCT - LCS - LC - LCE
Maße

Series LCT - LCS - LC - LCE
dimensions

LCT145H-N / LCS145H-N / LC145H-N



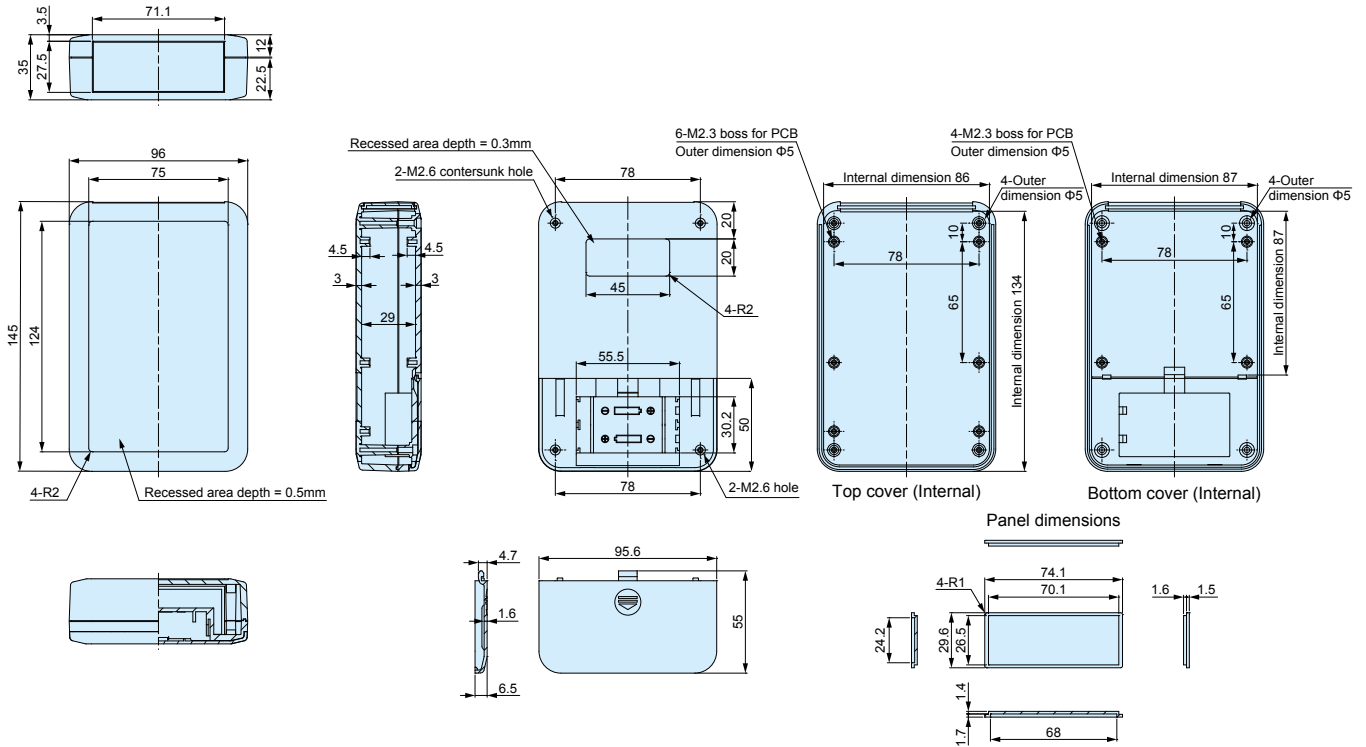
LCT145H-F6 / LCS145H-F6 / LC145H-F6



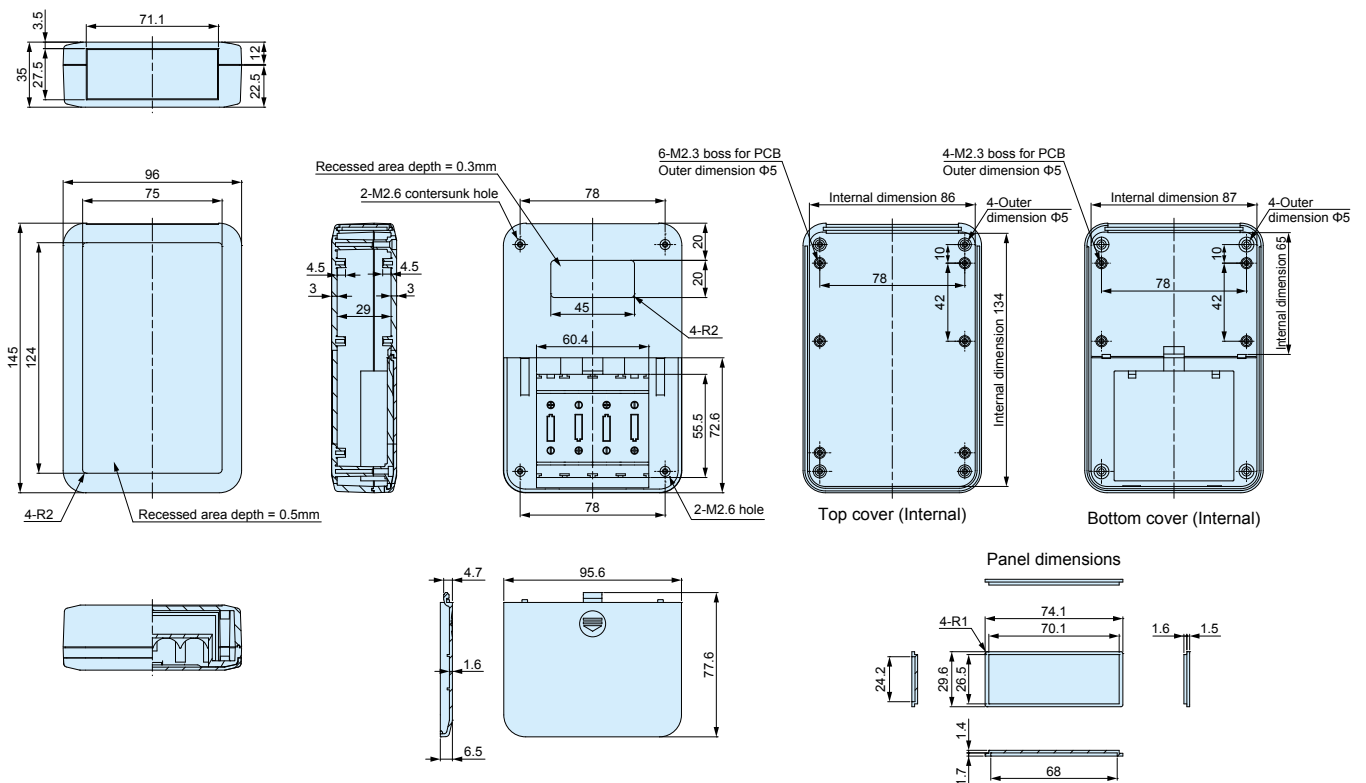
Serie LCT - LCS - LC - LCE Maße

Series LCT - LCS - LC - LCE dimensions

LCT145H-M2 / LCS145H-M2 / LC145H-M2



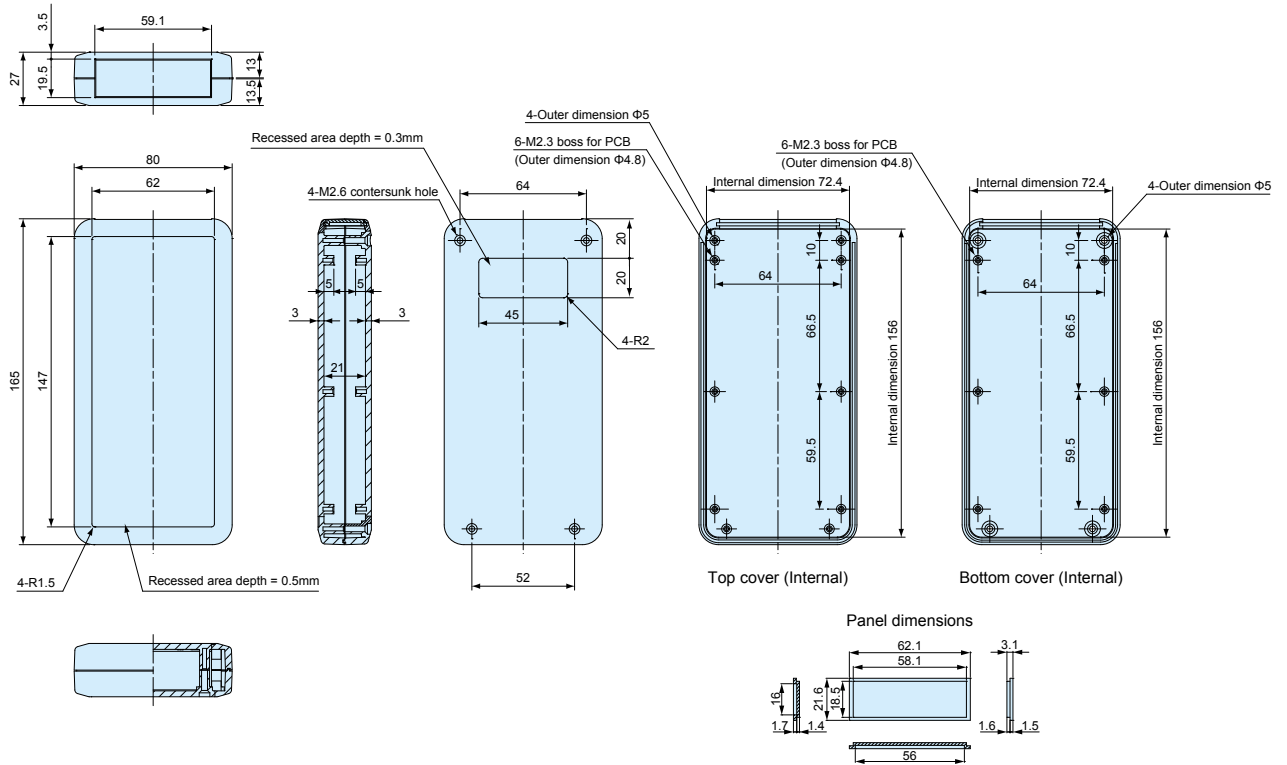
LCT145H-M4 / LCS145H-M4 / LC145H-M4



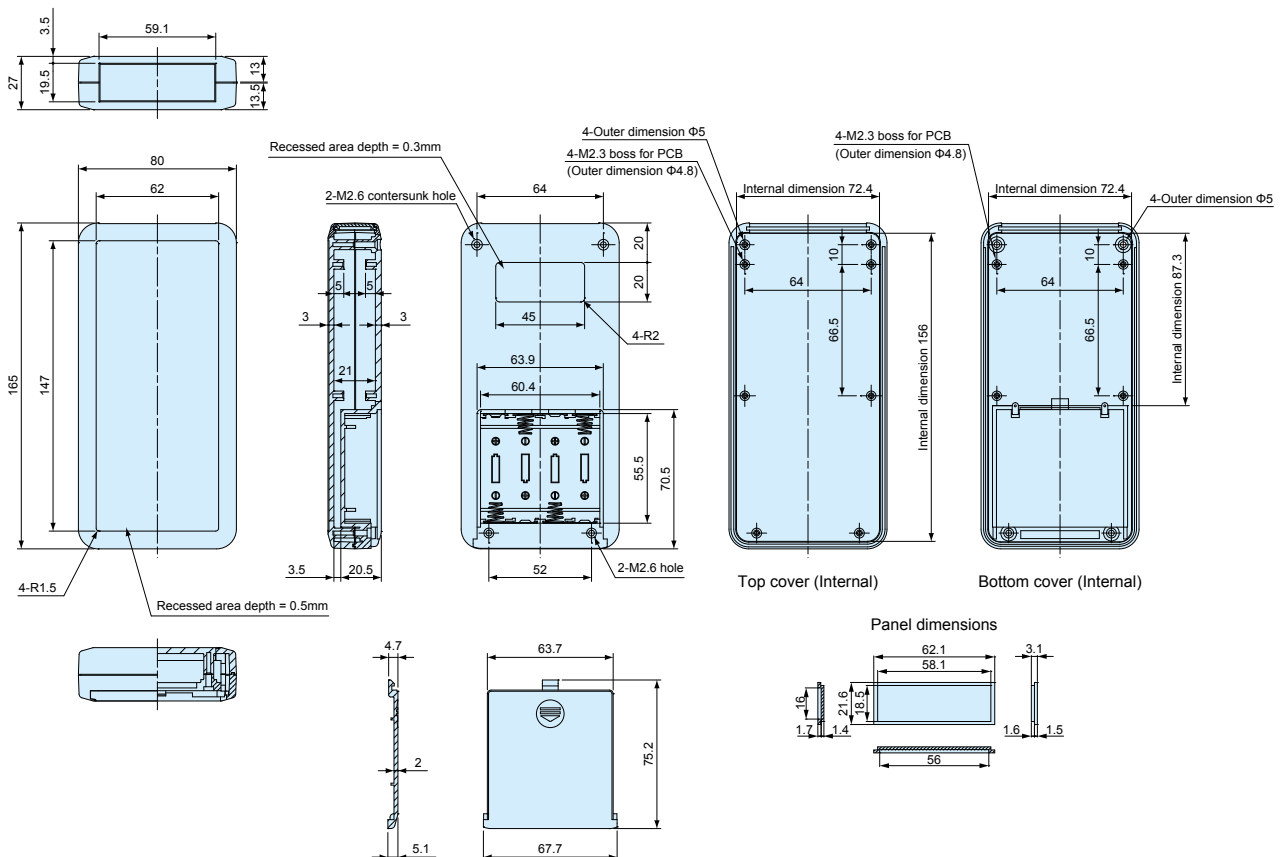
Serie LCT - LCS - LC - LCE
Maße

Series LCT - LCS - LC - LCE
dimensions

LCT165-N / LCS165-N / LC165-N



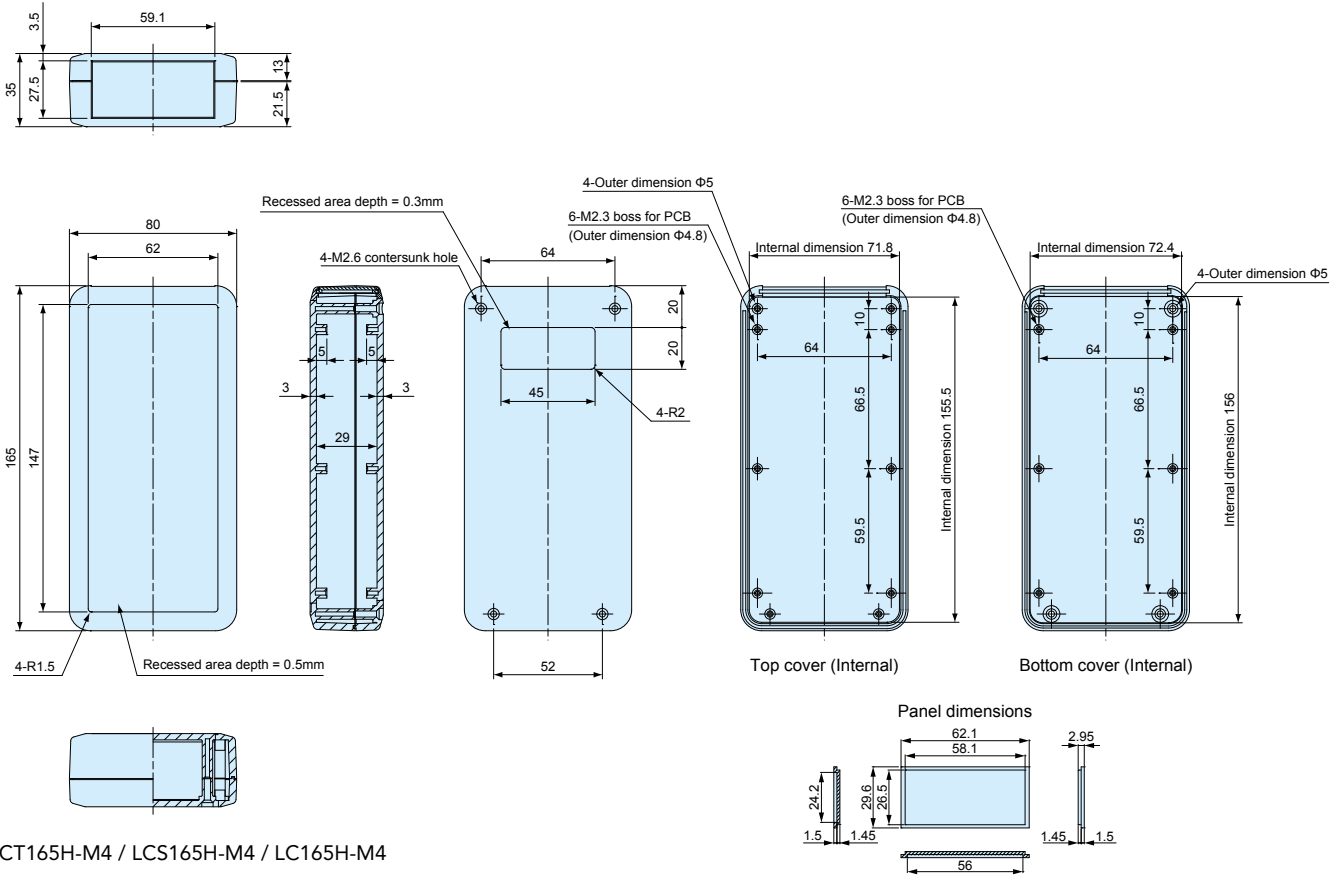
LCT165-M4 / LCS165-M4 / LC165-M4



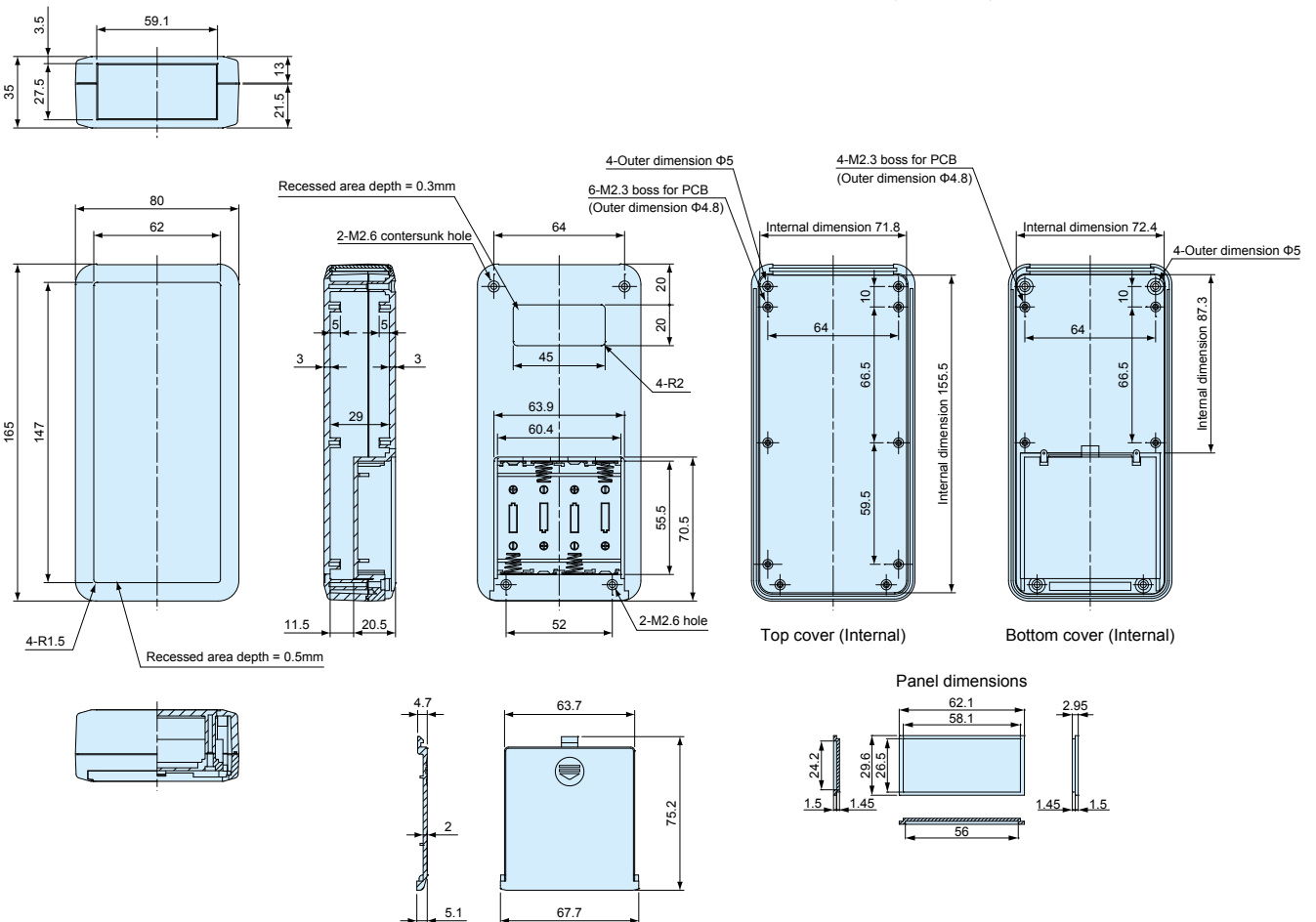
Serie LCT - LCS - LC - LCE Maße

Series LCT - LCS - LC - LCE dimensions

LCT165H-N / LCS165H-N / LC165H-N



LCT165H-M4 / LCS165H-M4 / LC165H-M4



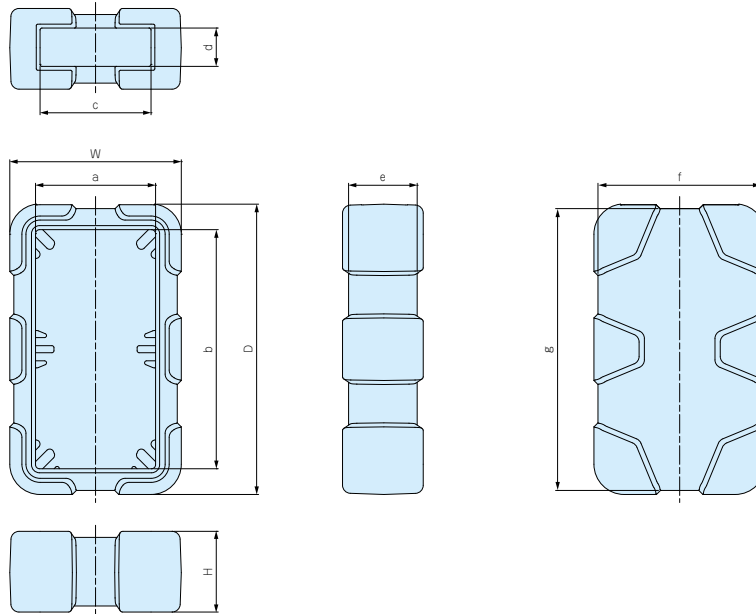
Serie LCTP stoßfeste Silikonhülle

Series LCTP shock-proof silicone cover

Farbcode - Color Type

Code	☐ Orange	☐ Green	☐ Navy	☐ Dark gray	☐ Light gray
	☐ Orange	☐ Grün	☐ Navy	☐ Dunkelgrau	☐ Hellgrau
Farbe - Color					

- Stoßfeste Silikonhülle für die Serie LC. Neue Größen verfügbar!
- Kundenspezifische Farben ab 500 Stück. Bitte **PANTONE®**-Farbe angeben oder Farbmuster.
- Shock-proof silicone cover for LC series. New sizes now available!
- Custom color is available from 500pcs per order batch. For custom color order, please specify **PANTONE®**, RGB color number or provide your sample color.



Einzelteile

Bezeichnung	Material	Farbe
Silikonhülle	Silikon	Orange • Grün • Navy • Dunkelgrau • Hellgrau

Components

Part name	Material	Color
Silicone cover	Silicone	Orange • Green • Navy • Dark gray • Light gray

Best.-Nr. / Maße

Product no. / Dimensions

■ Bitte ergänzen Sie den Farbcode am Ende der Bestellnr.

■ Please suffix color code at the end of the product number.

Best.-Nr. Product no.	W	H	D	a	b	c	d	e	f	g	Gehäuse Suitable case	Gewicht (g) Weight (g)
LCTP115 -☐	76	28	121.9	55.5	101.5	48.3	12	24	72	117.8	LC115	53.5
LCTP115H -☐	76	36.5	121.9	55.5	101.5	48.3	20.5	32.5	72	117.8	LC115H	61
LCTP135 -☐	85	40	143.9	59.5	118.5	55	19	34	81	139.7	LC135	115.5
LCTP135H -☐	85	48	143.9	59.5	118.5	55	27	42	81	139.6	LC135H	124
NEW LCTP145S -☐	105	33	153.9	76.5	125.5	71	12	27	101	149.9	LC145S	129.1
NEW LCTP145 -☐	105	40	153.9	76.5	125.5	71	19	34	101	149.7	LC145	137.5
NEW LCTP145H -☐	105	48	153.9	76.5	125.5	71	27	42	101	149.7	LC145H	147
LCTP165 -☐	89	40	173.9	63.5	148.5	59	19	34	85	169.7	LC165	143
LCTP165H -☐	89	48	173.9	63.5	148.5	59	27	42	85	169.6	LC165H	151.5

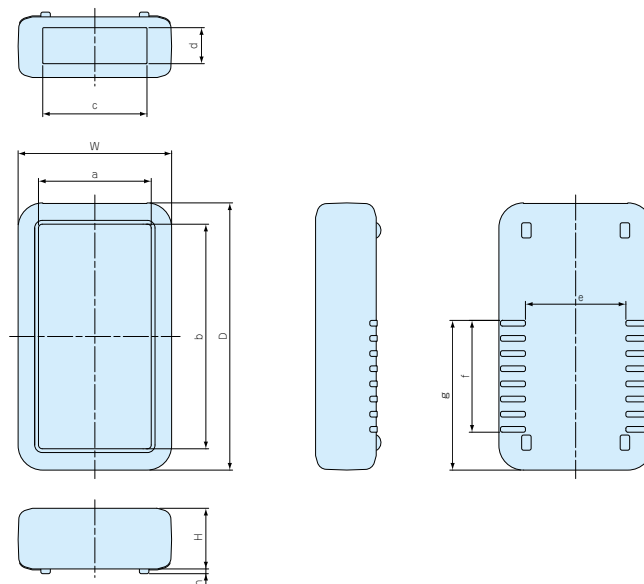
Serie LCSC Silikonhülle

Series LCSC Silicone Cover

Farbcode - Color Type

Code	R Rot	Y Gelb	G Grün	B Blau	N Navy	D Dunkelgrau	L Hellgrau
	R Red	Y Yellow	G Green	B Blue	N Navy	D Dark gray	L Light gray
Farbe - Color							

- Silikonhülle für die Serie LC. Neue Größen verfügbar!
- Kundenspezifische Farben ab 500 Stück. Bitte **PANTONE®**-Farbe angeben, oder Farbmuster.
- Silicone cover for LC Series. New sizes now available!
- Custom color is available from 500pcs per order batch. For custom color order, please specify **PANTONE®**, RGB color number or provide your sample color.



Einzelteile

Part name	Material	Color
Silikonhülle	Silikon	Rot • Gelb • Grün • Blau • Navy • Dunkelgrau • Hellgrau

Components

Part name	Material	Color
Silicone cover	Silicone	Red • Yellow • Green • Blue • Navy • Dark gray • Light gray

Best.-Nr. / Maße

Product no. / Dimensions

■ Bitte ergänzen Sie den Farbcode am Ende der Bestellnr.

■ Please suffix color code at the end of the product number.

Best.-Nr. Product no.	W	H	D	a	b	c	d	e	f	g	h	Gehäuse Suitable case	Gewicht (g) Weight (g)
LCSC115 -□	74	24	120	55.5	101.5	48.3	12	46	44.5	60.5	2	LC115	43
LCSC115H-□	74	32.5	120	55.5	101.5	48.3	20.5	46	44.5	60.5	2	LC115H	50
LCSC135 -□	81	32	141	59.5	118.5	55	19	53	59	79	2.5	LC135	70
LCSC135H-□	81	40	141	59.5	118.5	55	27	53	59	79	2.5	LC135H	75.5
NEW LCSC145S-□	101	25	151	76.5	125.5	71	12	71	59	81	2.5	LC145S	73.4
NEW LCSC145 -□	101	32	151	76.5	125.5	71	19	71	59	81	2.5	LC145	81
NEW LCSC145H-□	101	40	151	76.5	125.5	71	27	71	59	81	2.5	LC145H	89
LCSC165 -□	85	32	171	63.5	148.5	59	19	53	67	92	2.5	LC165	82.5
LCSC165H-□	85	40	171	63.5	148.5	59	27	53	67	92	2.5	LC165H	86

Serie LCE EMV geschirmtes Kunststoffgehäuse

Series LCE EMC shielded hand-held plastic case



Technische Daten
Schutzklasse: IP40 Temperaturbereich: -10°C ~ +60°C
Technical Data
Protection class: IP40 Operating temperature: -10°C ~ +60°C

- Serie LCE ist eine EMV abgeschirmte Version des Kunststoffgehäuses Serie LC. Innenseitig beschichtet mit DOTITE leitfähiger Farbe (mit leitfähigen Nickelpartikeln).
- Designed with beveled edges and rounded corners, gefertigt aus schwerentflammaren ABS UL94V-0 Material.
- Geeignet für Messinstrumente, Testgeräte, drahtlose Kommunikationsgeräte, medizinische Anwendungen uvm.
- LCE series is an EMC shielded version of LC hand-held plastic case coated internally with DOTITE conductive paint (acrylic paint mixed with nickel filler).
- Designed with beveled edges and rounded corners, and manufactured from flame-resistant ABS UL94V-0 material.
- Recommended to be used as measurement instruments, testing devices, wireless communication gadgets, medical equipment, and so on.

Einzelteile

Nr.	Bezeichnung	Stück	Material	Farbe / Oberfläche	leitfähige Farbe
1	Deckel	1	ABS UL94V-0	dunkelgrau	DOTITE
2	Boden	1	ABS UL94V-0	dunkelgrau	DOTITE
3	Deckelplatte	1	ABS UL94V-0	dunkelgrau	DOTITE
4	Schraube	4	Stahl M2.6	schwarz verchromt	—

Components

No.	Part name	Pcs	Material	Color / Finish	Conductive paint
1	Top cover	1	ABS UL94V-0	Dark gray	DOTITE
2	Bottom cover	1	ABS UL94V-0	Dark gray	DOTITE
3	Panel	1	ABS UL94V-0	Dark gray	DOTITE
4	Self-tapping screw	4	Steel M2.6	Black trivalent chromate	—

Zubehör (optional erhältlich) - Accessories (optional parts)



Silikonhülle Serien LCTP • LCSC
Silicone cover LCTP • LCSC series



Abstandbolzen Serien TPS
Tapping standoff TPS series



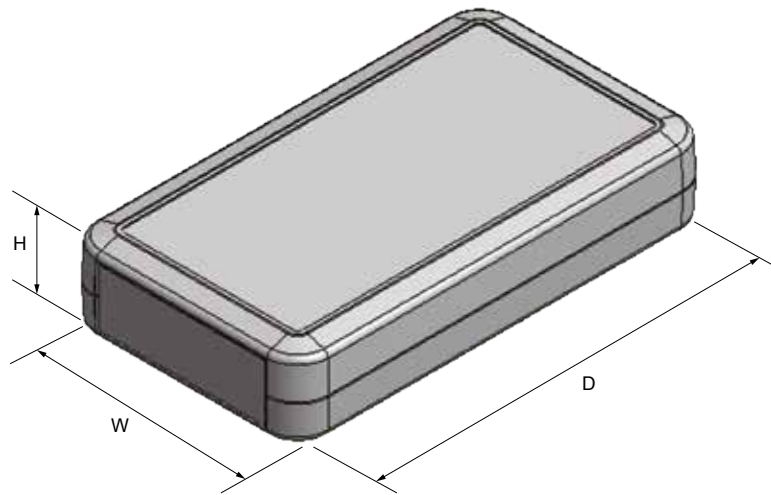
PCB Montageschraube EM-2.3
PCB mounting screw EM-2.3



TORX Schraube Serien MR
TORX screw MR series



Wandhalterung Serien WM
Suspension bracket WM series



Best-Nr. / Maße - Product no. / Dimensions

	Best-Nr. Product no.	W	H	D	mitgelieferte Schrauben Included screws	Gewicht (g) Weight (g)
NEW	LCE115 -N-D	69	19.5	115	Senkkopfschraube Countersunk M2.6-14 x 4 pcs	72.5
NEW	LCE115H -N-D	69	28	115	Senkkopfschraube Countersunk M2.6-18 x 4 pcs	84
NEW	LCE135 -N-D	76	27	135	Senkkopfschraube Countersunk M2.6-18 x 4 pcs	97
NEW	LCE145H -N-D	96	35	145	Senkkopfschraube Countersunk M2.6-18 x 4 pcs	137
NEW	LCE165H -N-D	80	35	165	Senkkopfschraube Countersunk M2.6-18 x 4 pcs	139

LEIFÄHIGE VERSIONEN ERHÄLTlich für Serien LC.

Standardmäßig haben wir nur ausgewählte Größen als EMV Versionen definiert.
Andere Größen auf Anfrage ebenfalls als leifähige Version erhältlich.

CONDUCTIVE PAINT CUSTOMIZATION AVAILABLE for LC series.

The LCE series are a selected few models of the LC series, customized with conductive paint.
Other LC series enclosures not listed can also be customized with conductive paint.

