



**Technische Daten**

Schutzklasse : IP65  
 Temperaturbereich :  
 BCAP -10°C ~ +60°C  
 BCPC -20°C ~ +75°C

**Technical Data**

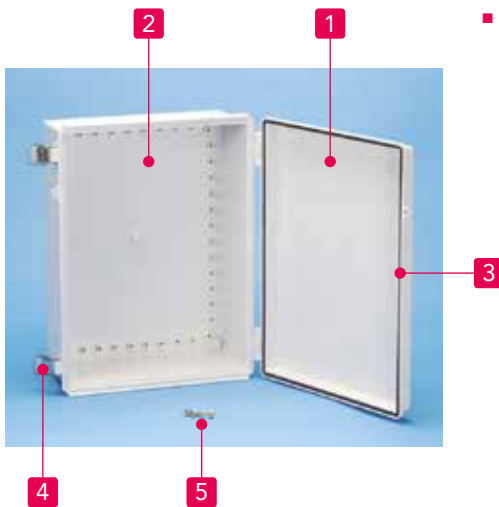
Protection class: IP65  
 Operating temperature:  
 BCAP -10°C ~ +60°C  
 BCPC -20°C ~ +75°C

**Serie BCAP IP65  
verriegelbares ABS Gehäuse**

**Series BCAP IP65  
Latch-Hinged ABS Plastic Box**

**Serie BCPC IP65 verriegelbares  
Polycarbonat Gehäuse**

**Series BCPC IP65 Latch-Hinged  
Polycarbonate Plastic Box**



- UL Kennzeichnung nur bei Serie BCPC
- UL mark is only applicable for BCPC series
- 50 verschiedene Größen verfügbar.
- Serie BCAP besteht aus hellgrauen ABS-Material, mit 2 verschiedenen Deckeltypen (ABS und transparenten Polycarbonat).
- Serie BCPC besteht aus lichtgrauen UL94V-0 hitzeresistenten Polycarbonat.
- Einsetzbar für verschiedene Anwendungen im Feld, wie z. B. Netzwerk, Verteiler, Kommunikationsgeräte etc.
- 50 different sizes available.
- BCAP series is made of white gray ABS with 2 different cover types (white gray ABS and transparent polycarbonate) available.
- BCPC series is made of light gray UL94V-0 polycarbonate, which has good heat resistance properties.
- Applicable for various uses in fields such as FA, network communication, power switchbox controls and so on.

**Einzelteile Serie BCAP - Components: BCAP series**

■ Box UL class = UL94HB

No.	Bezeichnung - Part name	Stück - Pcs	Material	Farbe / Oberfläche - Color / Finish
1	Oberschale - Top cover	1	ABS • Polycarbonate	weißgrau • transparent - White gray • Transparent
2	Grundgehäuse - Base	1	ABS	weißgrau - White gray
3	Dichtung - Gasket	1	Polyurethane	schwarz - black
4	Verriegelung - Latch	1 ~ 3	Edelstahl - Stainless steel	unbehandelt - Unfinished
5	Schraube - Screw	2 ~ 8	Stahl - Steel	chromatiert - Trivalent chromate

■ Edelstahl Halterungen im Lieferumfang mit folgenden Serien: 506018, 506025, 507018, 507025, 608018, and 608028.

■ Stainless steel mounting brackets are included together with the following models: 506018, 506025, 507018, 507025, 608018, and 608028.

**Einzelteile Serie BCPC - Components: BCPC series**

■ Box UL class = UL94V-0

No.	Bezeichnung - Part name	Stück - Pcs	Material	Farbe / Oberfläche - Color / Finish
1	Oberschale - Top cover	1	Polycarbonate	lichtgrau - light gray
2	Grundgehäuse - Base	1	Glass fiber filled polycarbonate	lichtgrau - light gray
3	Dichtung - Gasket	1	Polyurethane	schwarz - black
4	Verriegelung - Latch	1 ~ 3	Edelstahl - Stainless steel	unbehandelt - Unfinished
5	Schraube - Screw	2 ~ 8	Stahl - Steel	chromatiert - Trivalent chromate

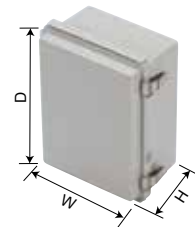
■ Edelstahl Halterungen im Lieferumfang mit folgenden Serien: 506018, 506025, 507018, 507025, 608018, and 608028.

■ Stainless steel mounting brackets are included together with the following models: 506018, 506025, 507018, 507025, 608018, and 608028.

## Farbcode - Color Type

Color code	Cover color / Material	Base color / Material
BCAP[G]	White gray / ABS	White gray / ABS
BCAP[T]	Transparent / Polycarbonate	White gray / ABS
BCPC[S]	Light gray / Polycarbonate	Light gray / Glass fiber filled polycarbonate

■ Bitte vervollständigen Sie die Bestellnummer mit dem Farbcode am Ende. ■ Please suffix color code at the end of the product number.



## BCAP Best-Nr. / Maße - Product no. / Dimensions

Best-Nr. Product no.	W	D	H	Gewicht - Weight (g)	
				G	T
BCAP091207□	90	120	70	196	204
BCAP091208□	90	120	85	212	221
BCAP101507□	100	150	70	272	281
BCAP101508□	100	150	85	291	300
BCAP112107□	110	210	75	359	378
BCAP112110□	110	210	100	422	420
BCAP112607□	110	260	75	431	446
BCAP112610□	110	260	100.5	484	500
BCAP131508□	135	155	85	356	357
BCAP131808□	135	185	85.5	381	410
BCAP131810□	135	185	100.5	396	402
BCAP151509□	150	150	90	343	353
BCAP151512□	150	150	120.5	411	425
BCAP162110□	160	210	100	468	486
BCAP162113□	160	210	130	517	537
BCAP162610□	160	260	100	577	601
BCAP162613□	160	260	130	673	701
BCAP172211□	170	220	110.5	530	556
BCAP172711□	170	270	110.5	670	680
BCAP192810□	190	280	100.5	722	746
BCAP192814□	190	280	141	877	901
BCAP203013□	200	300	131.5	920	951
BCAP203015□	200	300	151.5	958	984
BCAP203018□	200	300	180.5	1,066	1,084
BCAP212110□	210	210	100	630	656
BCAP212113□	210	210	130	704	726
BCAP253515□	250	350	151	1,261	1,332
BCAP253518□	250	350	181.5	1,397	1,464
BCAP282813□	280	280	130.5	1,167	1,200
BCAP283813□	280	380	130	1,455	1,512
BCAP303015□	300	300	151	1,339	1,418
BCAP303018□	300	300	181	1,495	1,576
BCAP304012□	300	400	121	1,508	1,575
BCAP304015□	300	400	150	1,563	1,675
BCAP304018□	300	400	181	1,719	1,853
BCAP353515□	350	350	150	1,693	1,764
BCAP353518□	350	350	181	1,845	1,906
BCAP354512□	350	450	120	2,068	2,167
BCAP354516□	350	450	160	2,382	2,514
BCAP354520□	350	450	201	2,646	2,794
BCAP405016□	400	500	160	2,660	2,839
BCAP405020□	400	500	201	3,119	3,232
BCAP406018□	400	600	181	3,542	3,652
BCAP406023□	400	600	231	3,870	4,044
BCAP506018□	530	630	185	5,438	5,611
BCAP506025□	530	630	255	6,078	6,273
BCAP507018G	530	730	188	6,241	—
BCAP507025G	530	730	255	6,911	—
BCAP608018G	630	830	188	8,131	—
BCAP608028G	630	830	288	9,570	—

■ BCAP507018, 507025, 608018, 608028 models are only available as G color type.

## BCPC Best-Nr. / Maße - Product no. / Dimensions

Best-Nr. Product no.	W	D	H	Gewicht (g) Weight (g)	
				G	T
BCPC091207S	90	120	70	226	—
BCPC091208S	90	120	85	247	—
BCPC101507S	100	150	70	312	—
BCPC101508S	100	150	85	336	—
BCPC112107S	110	210	75	420	—
BCPC112110S	110	210	100	473	—
BCPC112607S	110	260	75	493	—
BCPC112610S	110	260	100.5	569	—
BCPC131508S	135	155	85	406	—
BCPC131808S	135	185	85.5	452	—
BCPC131810S	135	185	100.5	448	—
BCPC151509S	150	150	90	395	—
BCPC151512S	150	150	120.5	482	—
BCPC162110S	160	210	100	556	—
BCPC162113S	160	210	130	611	—
BCPC162610S	160	260	100	671	—
BCPC162613S	160	260	130	779	—
BCPC172211S	170	220	110.5	649	—
BCPC172711S	170	270	110.5	775	—
BCPC192810S	190	280	100.5	858	—
BCPC192814S	190	280	141	1,028	—
BCPC203013S	200	300	131.5	1,053	—
BCPC203015S	200	300	151.5	1,127	—
BCPC203018S	200	300	180.5	1,258	—
BCPC212110S	210	210	100	742	—
BCPC212113S	210	210	130	827	—
BCPC253515S	250	350	151	1,491	—
BCPC253518S	250	350	181.5	1,676	—
BCPC282813S	280	280	130.5	1,371	—
BCPC283813S	280	380	130	1,695	—
BCPC303015S	300	300	151	1,610	—
BCPC303018S	300	300	181	1,760	—
BCPC304012S	300	400	121	1,846	—
BCPC304015S	300	400	150	1,862	—
BCPC304018S	300	400	181	2,030	—
BCPC353515S	350	350	150	2,045	—
BCPC353518S	350	350	181	2,142	—
BCPC354512S	350	450	120	2,397	—
BCPC354516S	350	450	160	2,826	—
BCPC354520S	350	450	201	3,151	—
BCPC405016S	400	500	160	3,188	—
BCPC405020S	400	500	201	3,811	—
BCPC406018S	400	600	181	4,153	—
BCPC406023S	400	600	231	4,637	—
BCPC506018S	530	630	185	6,305	—
BCPC506025S	530	630	255	7,213	—
BCPC507018S	530	730	188	7,410	—
BCPC507025S	530	730	255	8,200	—
BCPC608018S	630	830	188	9,820	—
BCPC608028S	630	830	288	11,550	—

## Zubehör (optional erhältlich - Accessories (optional parts))



Montageplatte Serie BMP  
Mounting plate BMP series



Wandhalterungen Serie CK•BFL  
Mounting bracket CK • BFL series



Masthalterung Serie SSK  
Pole mounting bracket SSK series



Kabeldurchführung  
Cable gland



Belüftungsoptionen  
Ventilation part

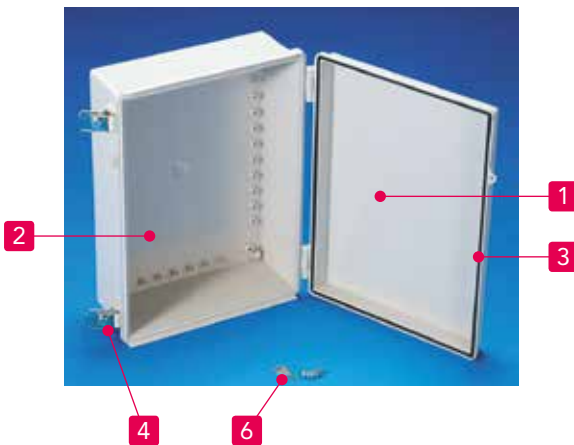


Technische Daten
Schutzklasse : IP65
Temperaturbereich : -20°C ~ +75°C

Technical Data
Protection class : IP65
Operating temperature : -20°C ~ +75°C

## Serie BCPK IP65 Polycarbonat Gehäuse mit Schloss

## Series BCPK IP65 Polycarbonate Plastic Box with Lock



※Schlosstyp variiert gemäß Gehäusegröße.  
 ※Lock types vary according to box size.



Gehäusegröße - Box size  
 BCPK091207 ~ 172711  
 BCPK212110 and 212113



Gehäusegröße - Box size  
 BCPK192810 ~ 203018  
 BCPK253515 and 608028



- Abschließbares Gehäuse geeignet gegen Manipulation für Anwendungen im Bereich Netzwerk, Kommunikation.
- BCPK Polycarbonat Gehäuse ist resistent gegen Hitze und Flammen.
- Transparentes Gehäuse ist nicht verfügbar für die Modelle BCPK507018, 507025, 608018, und 608028.

- Lockable enclosure best used for tamper prevention in FA, control box and network communication fields.
- BCPK polycarbonate box is resistant against heat and flames.
- Transparent type is not available for BCPK507018, 507025, 608018, and 608028 models.

### Einzelteile

■ Box UL class = UL94V-0

Nr.	Bezeichnung	Stück	Material	Farbe / Oberfläche
1	Oberschale	1	Polycarbonat	lichtgrau • transparent
2	Grundgehäuse	1	Polycarbonat mit Fieberglasanteilen	lichtgrau
3	Dichtung	1	Polyurethane	schwarz
4	Verriegelung	1 ~ 3	Edelstahl	unbehandelt
5	Schraube	2 ~ 8	Stahl	chromatiert
6	Schlüssel	1 ~ 2	Druckguss • Messing	chromatiert • vernickelt

- Edelstahl Montagewinkel sind Bestandteil in folgenden Serien: 506018, 506025, 507018, 507025, 608018, and 608028.
- Anzahl der Schlüssel variiert mit der Anzahl der Schlösser.

### Components

■ Box UL class = UL94V-0

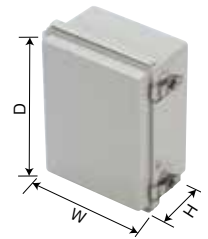
No.	Part name	Pcs	Material	Color / Finish
1	Top cover	1	Polycarbonate	Light gray • Transparent
2	Base	1	Glass fiber filled polycarbonate	Light gray
3	Gasket	1	Polyurethane	Black
4	Latch	1 ~ 3	Stainless steel	Unfinished
5	Screw	2 ~ 8	Steel	Trivalent chromate
6	Key	1 ~ 2	Diecast zinc • Brass	Chrome plated • Nickel plated

- Stainless steel mounting brackets are included together with the following models: 506018, 506025, 507018, 507025, 608018, and 608028.
- Quantity of keys provided vary by the number of locks present.

## Farbcode - Color Type

Color code	Cover color / Material	Base color / Material
BCPK [S]	Light gray / Polycarbonate	Light gray / Glass fiber filled polycarbonate
<b>NEW</b> BCPK [T]	Transparent / Polycarbonate	Light gray / Glass fiber filled polycarbonate

■ Bitte vervollständigen Sie die Bestellnummer mit dem Farbcode am Ende. ■ Please suffix color code at the end of the product number.



## Best-Nr. / Maße - Product no. / Dimensions

Best-Nr. - Product no.	W	D	H	Gewicht - Weight (g)	
				S	T
BCPK091207□	90	120	70	242	237
BCPK091208□	90	120	85	264	261
BCPK101507□	100	150	70	339	337
BCPK101508□	100	150	85	360	355
BCPK112107□	110	210	75	437	444
BCPK112110□	110	210	100	501	509
BCPK112607□	110	260	75	520	528
BCPK112610□	110	260	100.5	585	594
BCPK131508□	135	155	85	430	421
BCPK131808□	135	185	85.5	474	475
BCPK131810□	135	185	100.5	471	478
BCPK151509□	150	150	90	419	422
BCPK151512□	150	150	120.5	507	508
BCPK162110□	160	210	100	563	572
BCPK162113□	160	210	130	630	639
BCPK162610□	160	260	100	728	738
BCPK162613□	160	260	130	805	825
BCPK172211□	170	220	110.5	664	681
BCPK172711□	170	270	110.5	771	794
BCPK192810□	190	280	100.5	875	900
BCPK192814□	190	280	141	1,065	1,094
BCPK203013□	200	300	131.5	1,090	1,119
BCPK203015□	200	300	151.5	1,182	1,214
BCPK203018□	200	300	180.5	1,295	1,330
BCPK212110□	210	210	100	743	756
BCPK212113□	210	210	130	822	847
BCPK253515□	250	350	151	1,559	1,606
BCPK253518□	250	350	181.5	1,670	1,720
BCPK282813□	280	280	130.5	1,391	1,433
BCPK283813□	280	380	130	1,811	1,733
BCPK303015□	300	300	151	1,670	1,682
BCPK303018□	300	300	181	1,782	1,795
BCPK304012□	300	400	121	1,858	1,872
BCPK304015□	300	400	150	1,912	1,926
BCPK304018□	300	400	181	2,083	2,098
BCPK353515□	350	350	150	2,067	1,999
BCPK353518□	350	350	181	2,175	2,163
BCPK354512□	350	450	120	2,442	2,429
BCPK354516□	350	450	160	2,863	2,848
BCPK354520□	350	450	201	3,156	3,140
BCPK405016□	400	500	160	3,149	3,152
BCPK405020□	400	500	201	3,725	3,729
BCPK406018□	400	600	181	4,159	4,164
BCPK406023□	400	600	231	4,639	4,645
BCPK506018□	530	630	185	5,339	6,151
BCPK506025□	530	630	255	7,136	8,220
BCPK507018S	530	730	188	7,470	
BCPK507025S	530	730	255	8,260	
BCPK608018S	630	830	188	9,880	
BCPK608028S	630	830	288	11,610	

■ Serien BCPK507018, 507025, 608018, 608028 nur in Farbvariante S verfügbar.

■ BCPK507018, 507025, 608018, 608028 models are only available as S color type.

## Zubehör (optional erhältlich - Accessories (optional parts))



Staubschutzkappe Serie BCC  
Dust protection cap BCC series



Montageplatte Serie BMP  
Mounting plate BMP series



Wandhalterungen Serie CK • BFL  
Mounting bracket CK • BFL series



Kabeldurchführung  
Cable gland



Belüftungsoptionen  
Ventilation part



**Technische Daten**

Schutzklasse : IP65  
 Temperaturbereich :  
 BCAR -10°C ~ +60°C  
 BCPR -20°C ~ +75°C

**Technical Data**

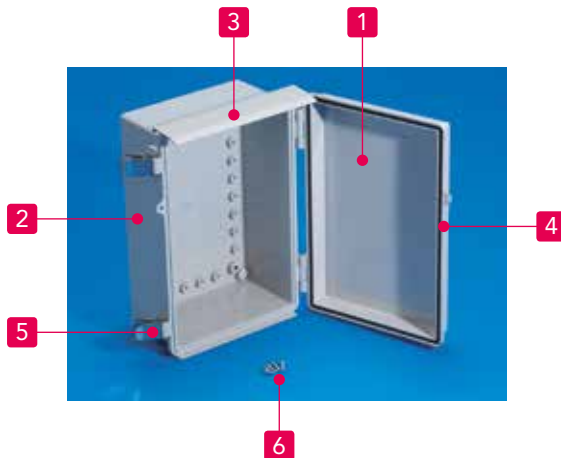
Protection class: IP65  
 Operating temperature:  
 BCAR -10°C ~ +60°C  
 BCPR -20°C ~ +75°C

**Serie BCAR IP65 ABS  
 Gehäuse mit Überdachung**

**Series BCAR IP65 ABS  
 Plastic Box with Outdoor Roof**

**Serie BCPR IP65 Polycarbonat  
 Gehäuse mit Überdachung**

**Series BCPR IP65 Polycarbonate  
 Plastic Box with Outdoor Roof**



- Geeignet für Außenanwendungen durch Montage einer Überdachung.
- 45 verschiedene Größen verfügbar.
- Serie BCAR besteht aus weißgrauen ABS mit 2 verschiedenen Deckeltypen (weißgrau, ABS und transparenten Polycarbonat).
- Serie BCPR besteht aus lichtgrauen UL94V-0 Polycarbonat mit guten Eigenschaften gegenüber Hitze.
- Transparente Deckelplatte ist nicht verfügbar für Serien BCAR507018, 507025, 608018, und 608028.
- Suitable for outdoor use by equipping easy snap-on roof attachment.
- 45 different sizes available.
- BCAR series is made of white gray ABS with 2 different cover type (white gray ABS and transparent polycarbonate).
- BCPR series is made of light gray UL94V-0 polycarbonate, which has good heat resistance properties.
- Transparent cover type is not available for BCAR507018, 507025, 608018, and 608028 models.

**Einzelteile Serie BCAR - Components: BCAR series**

■ Box UL class = UL94HB

No.	Bezeichnung - Part name	Stück - Pcs	Material	Farbe / Oberfläche - Color / Finish
1	Oberschale - Top cover	1	ABS • Polycarbonate	hellgrau • transparent - White gray • Transparent
2	Grundgehäuse - Base	1	ABS	hellgrau - White gray
3	Überdachung - Roof	1	PVC	hellgrau - White gray
4	Dichtung - Gasket	1	Polyurethane	schwarz - Black
5	Verriegelung - Latch	1-3	Edelstahl - Stainless steel	unbehandelt - Unfinished
6	Schraube - Screw	2-8	Stahl - Steel	chromatiert - Trivalent chromate

■ Stainless steel mounting brackets are included together with the following models: 506018, 506025, 507018, 507025, 608018, and 608028.

**Einzelteile Serie BCPR - Components: BCPR series**

■ Box UL class = UL94V-0

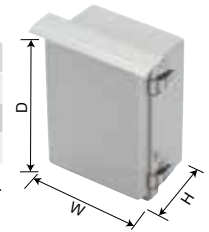
No.	Part name	Pcs	Material	Color / Finish
1	Oberschale - Top cover	1	Polycarbonate	lichtgrau - Light gray
2	Grundgehäuse - Base	1	Glass fiber filled polycarbonate	lichtgrau - Light gray
3	Überdachung - Roof	1	PVC	lichtgrau - Light gray
4	Dichtung - Gasket	1	Polyurethane	schwarz - Black
5	Verriegelung - Latch	1-3	Edelstahl - Stainless steel	unbehandelt - Unfinished
6	Schraube - Screw	2-8	Stahl - Steel	chromatiert - Trivalent chromate

■ Stainless steel mounting brackets are included together with the following models: 506018, 506025, 507018, 507025, 608018, and 608028.

## Farbcode - Color Type

Code	Cover color / Material	Base color / Material
BCAR[G]	White gray / ABS	White gray / ABS
BCAR[T]	Transparent / Polycarbonate	White gray / ABS
BCPR[S]	Light gray / Polycarbonate	Light gray / Glass fiber filled polycarbonate

■ Bitte vervollständigen Sie die Bestellnummer mit dem Farbcode am Ende ■ Please suffix color code at the end of the product number.



## BCAR Best-Nr. / Maße - Product no. / Dimensions

Best-Nr. Product no.	W	D	H	Gewicht - Weight (g)	
				G	T
BCAR091207□	90	120	70	213	220
BCAR091208□	90	120	85	228	237
BCAR101507□	100	150	70	291	300
BCAR101508□	100	150	85	309	318
BCAR112107□	110	210	75	379	398
BCAR112110□	110	210	100	442	440
BCAR112607□	110	260	75	451	466
BCAR112610□	110	260	100.5	504	519
BCAR131508□	135	155	85	379	381
BCAR131808□	135	185	85.5	404	434
BCAR131810□	135	185	100.5	420	426
BCAR162110□	160	210	100	495	513
BCAR162113□	160	210	130	544	564
BCAR162610□	160	260	100	605	629
BCAR162613□	160	260	130	701	729
BCAR172211□	170	220	110.5	560	586
BCAR172711□	170	270	110.5	700	710
BCAR192810□	190	280	100.5	755	778
BCAR192814□	190	280	141	909	933
BCAR203013□	200	300	131.5	957	989
BCAR203015□	200	300	151.5	995	1,022
BCAR203018□	200	300	180.5	1,104	1,122
BCAR212110□	210	210	100	666	692
BCAR212113□	210	210	130	740	762
BCAR253515□	250	350	151	1,307	1,378
BCAR253518□	250	350	181.5	1,443	1,510
BCAR282813□	280	280	130.5	1,218	1,251
BCAR283813□	280	380	130	1,506	1,563
BCAR303015□	300	300	151	1,393	1,472
BCAR303018□	300	300	181	1,549	1,630
BCAR304012□	300	400	121	1,562	1,629
BCAR304015□	300	400	150	1,617	1,729
BCAR304018□	300	400	181	1,773	1,907
BCAR353515□	350	350	150	1,757	1,827
BCAR353518□	350	350	181	1,908	1,970
BCAR354512□	350	450	120	2,140	2,239
BCAR354516□	350	450	160	2,454	2,586
BCAR354520□	350	450	201	2,718	2,866
BCAR506018□	530	630	185	5,564	5,737
BCAR506025□	530	630	255	6,203	6,399
BCAR507018G	530	730	188	6,366	—
BCAR507025G	530	730	255	7,037	—
BCAR608018G	630	830	188	8,279	—
BCAR608028G	630	830	288	9,719	—

■ Serien BCAR507018, 507025, 608018, 608028 nur verfügbar in G Farbvariante.

■ BCAR507018, 507025, 608018, 608028 models are only available as G color type.

## BCPR Best-Nr. / Maße - Product no. / Dimensions

Best-Nr. Product no.	W	D	H	Gewicht (g) Weight (g)	
				G	T
BCPR091207S	90	120	70	242	
BCPR091208S	90	120	85	264	
BCPR101507S	100	150	70	330	
BCPR101508S	100	150	85	354	
BCPR112107S	110	210	75	439	
BCPR112110S	110	210	100	493	
BCPR112607S	110	260	75	513	
BCPR112610S	110	260	100.5	589	
BCPR131508S	135	155	85	429	
BCPR131808S	135	185	85.5	475	
BCPR131810S	135	185	100.5	471	
BCPR162110S	160	210	100	583	
BCPR162113S	160	210	130	638	
BCPR162610S	160	260	100	699	
BCPR162613S	160	260	130	806	
BCPR172211S	170	220	110.5	677	
BCPR172711S	170	270	110.5	803	
BCPR192810S	190	280	100.5	889	
BCPR192814S	190	280	141	1,060	
BCPR203013S	200	300	131.5	1,091	
BCPR203015S	200	300	151.5	1,165	
BCPR203018S	200	300	180.5	1,296	
BCPR212110S	210	210	100	777	
BCPR212113S	210	210	130	862	
BCPR253515S	250	350	151	1,537	
BCPR253518S	250	350	181.5	1,722	
BCPR282813S	280	280	130.5	1,422	
BCPR283813S	280	380	130	1,747	
BCPR303015S	300	300	151	1,665	
BCPR303018S	300	300	181	1,814	
BCPR304012S	300	400	121	1,901	
BCPR304015S	300	400	150	1,917	
BCPR304018S	300	400	181	2,084	
BCPR353515S	350	350	150	2,109	
BCPR353518S	350	350	181	2,206	
BCPR354512S	350	450	120	2,471	
BCPR354516S	350	450	160	2,899	
BCPR354520S	350	450	201	3,224	
BCPR506018S	530	630	185	6,431	
BCPR506025S	530	630	255	7,339	
BCPR507018S	530	730	188	7,630	
BCPR507025S	530	730	255	8,420	
BCPR608018S	630	830	188	10,040	
BCPR608028S	630	830	288	11,770	

## Zubehör (optional erhältlich - Accessories (optional parts))



Montageplatte Serie BMP  
Mounting plate BMP series



Wandhalterungen Serie CK • BFL  
Mounting bracket CK • BFL series



Masthalterung Serie SSK  
Pole mounting bracket SSK series



Kabeldurchführung  
Cable gland

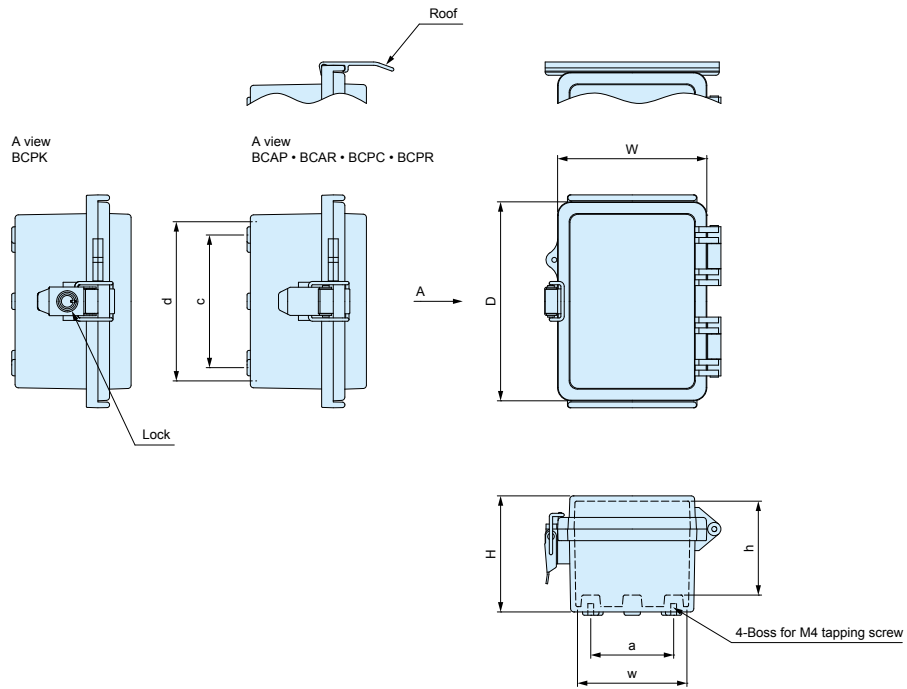


Belüftungsoptionen  
Ventilation part

Serie BCAP • BCAR • BCPC  
BCPK • BCPR Maße

Series BCAP • BCAR • BCPC  
BCPK • BCPR dimensions

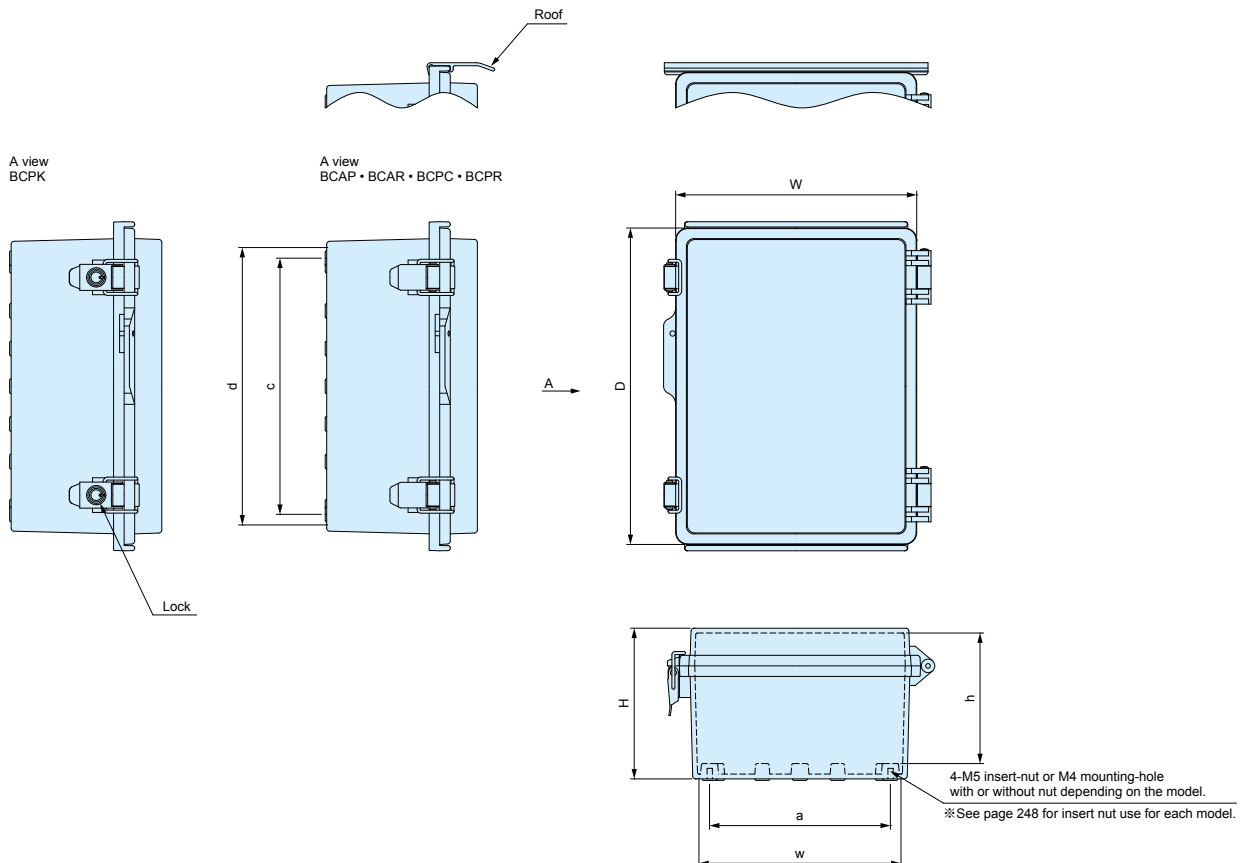
091207, 091208



Best-Nr. Product no.	W	D	H	Available range			Bottom hole pitch	
				w	d	h	a	c
BCAP • R, BCPC • K • R091207	90	120	70	66	96	56.5	50	80
BCAP • R, BCPC • K • R091208	90	120	85	66	96	71.5	50	80

101507 ~ 405020

Nicht verfügbar für die Serien BCAR • BCPR 151509, 151512, 405016, und 405020.  
Not available for BCAR • BCPR 151509, 151512, 405016, and 405020 models.



## ANWENDUNGSBEISPIEL - APPLICATION EXAMPLE



- Befestigungsdome variieren zur Gehäusegröße.
- Inner bosses vary according to box size.



### VIDEO DATA CLOUD ROUTER

Product by LIVELOCK TECHNOLOGIES (Japan)

Best-Nr. Product no.	W	D	H	Available range			Bottom hole pitch		Insert nut
				w	d	h	a	c	
BCAP • R, BCPC • K • R101507	100	150	70	76	126	56.5	60	110	without
BCAP • R, BCPC • K • R101508	100	150	85	75.5	125.5	71.5	60	110	without
BCAP • R, BCPC • K • R112107	110	210	75	85.8	185.8	61.5	70	170	without
BCAP • R, BCPC • K • R112110	110	210	100	84.9	184.9	86.5	70	170	without
BCAP • R, BCPC • K • R112607	110	260	75	85.8	235.8	61.5	70	220	without
BCAP • R, BCPC • K • R112610	110	260	100.5	85.1	234.9	87.2	70	220	without
BCAP • R, BCPC • K • R131508	135	155	85	110.5	130.5	71.5	95	115	without
BCAP • R, BCPC • K • R131808	135	185	85.5	110.4	160.4	72.2	95	145	without
BCAP • R, BCPC • K • R131810	135	185	100.5	110.4	160.4	87.1	95	145	without
BCAP, BCPC • K 151509	150	150	90	125.7	125.7	75.5	120	120	without
BCAP, BCPC • K 151512	150	150	120.5	124	124	106	117	117	without
BCAP • R, BCPC • K • R162110	160	210	100	134	184	86.6	120	170	without
BCAP • R, BCPC • K • R162113	160	210	130	134	184	116.5	120	170	without
BCAP • R, BCPC • K • R162610	160	260	100	135.1	235.1	86.6	120	220	without
BCAP • R, BCPC • K • R162613	160	260	130	134	234	116.6	120	220	without
BCAP • R, BCPC • K • R172211	170	220	110.5	144.9	194.9	96.1	132	182	without
BCAP • R, BCPC • K • R172711	170	270	110.5	144.9	244.9	96.1	132	232	without
BCAP • R, BCPC • K • R192810	190	280	100.5	165.3	255.3	84.1	148	238	with
BCAP • R, BCPC • K • R192814	190	280	141	164.2	254.2	124.6	148	238	with
BCAP • R, BCPC • K • R203013	200	300	131.5	173.5	273.5	115.1	152	252	with
BCAP • R, BCPC • K • R203015	200	300	151.5	173.5	273.5	135.1	152	252	with
BCAP • R, BCPC • K • R203018	200	300	180.5	172.4	272.3	164.1	152	252	with
BCAP • R, BCPC • K • R212110	210	210	100	185.1	185.1	86.6	170	170	without
BCAP • R, BCPC • K • R212113	210	210	130	184	184	116.6	170	170	without
BCAP • R, BCPC • K • R253515	250	350	151	222.5	322.5	135.3	206	306	without
BCAP • R, BCPC • K • R253518	250	350	181.5	222.5	322.5	165.8	206	306	with
BCAP • R, BCPC • K • R282813	280	280	130.5	254	254	113.6	238	238	with
BCAP • R, BCPC • K • R283813	280	380	130	254	354	113.6	238	338	with
BCAP • R, BCPC • K • R303015	300	300	151	273	273	134.3	256	256	with
BCAP • R, BCPC • K • R303018	300	300	181	272.5	272.5	164.3	256	256	with
BCAP • R, BCPC • K • R304012	300	400	121	274.1	374.6	104.6	252	352	with
BCAP • R, BCPC • K • R304015	300	400	150	273.5	373.5	133.6	252	352	with
BCAP • R, BCPC • K • R304018	300	400	181	272.5	372.5	164.6	252	352	with
BCAP • R, BCPC • K • R353515	350	350	150	323.6	323.6	133.6	302	302	with
BCAP • R, BCPC • K • R353518	350	350	181	322.5	322.5	164.6	302	302	with
BCAP • R, BCPC • K • R354512	350	450	120	316.7	416.7	103.5	302	402	with
BCAP • R, BCPC • K • R354516	350	450	160	308.7	414.7	142.6	302	402	with
BCAP • R, BCPC • K • R354520	350	450	201	306.9	412.8	183.6	302	402	with
BCAP, BCPC • K 405016	400	500	160	360.4	466.6	144	352	452	with
BCAP, BCPC • K 405020	400	500	201	359.4	465.5	184	352.5	452.5	with



Serie BCAP • BCAR • BCPC  
BCPK • BCPR Maße

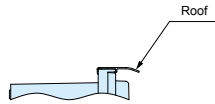
Series BCAP • BCAR • BCPC  
BCPK • BCPR dimensions

406018 ~ 507025

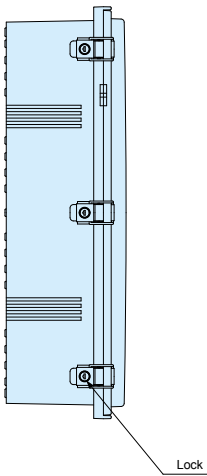
Nicht verfügbar für die Serien BCAR • BCPR 406018 und 406023.

Not available for BCAR • BCPR 406018 and 406023 models.

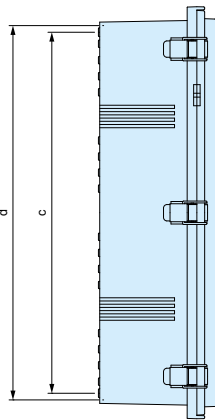
- Befestigungsdome variieren zur Gehäusegröße.
- Inner bosses vary according to box size.



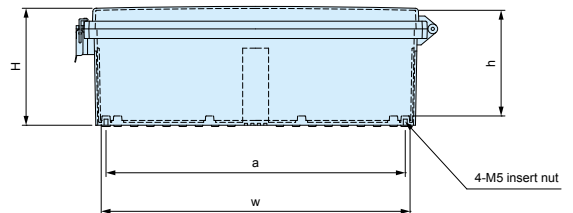
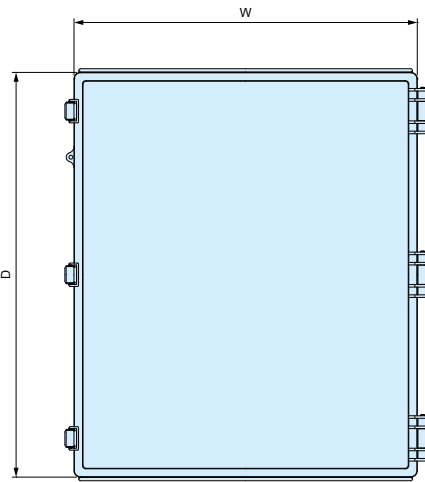
A view  
BCPK



A view  
BCAP • BCAR • BCPC • BCPR



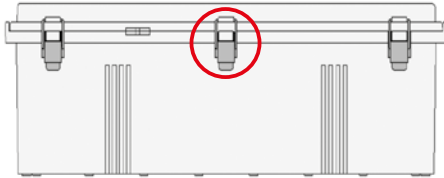
A →



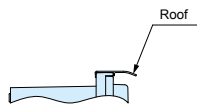
**Attention when locking the latch**

1. Close latches on both ends first.
  2. Close center latch next.
- ※ Closing the center latch first may create a non-watertight seal.

Center latch must be closed last!

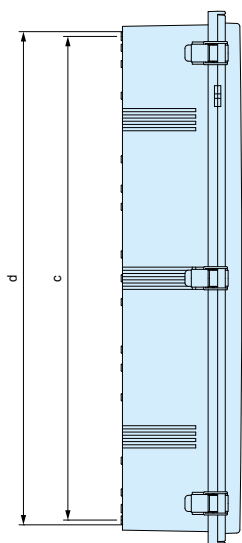
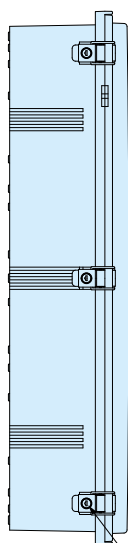


Best-Nr. Product no.	W	D	H	Available range			Bottom hole pitch	
				w	d	h	a	c
BCAP, BCPC • K 406018	400	600	181	358.6	565.9	163.8	352.5	552.5
BCAP, BCPC • K 406023	400	600	231	356.9	564.1	213.8	352	552.5
BCAP • R, BCPC • K • R506018	530	630	185	476.8	576.8	163.6	462	562
BCAP • R, BCPC • K • R506025	530	630	255	474.6	574.6	233.6	462	562
BCAP • R, BCPC • K • R507018	530	730	188	477	677	166.1	462	662
BCAP • R, BCPC • K • R507025	530	730	255	475	676.2	236	462	662

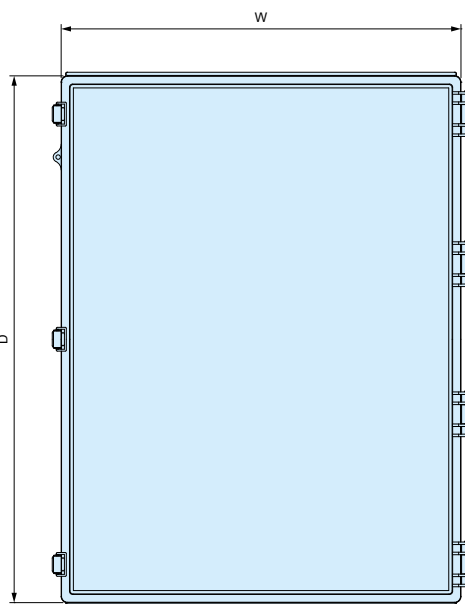


A view  
BCPK

A view  
BCAP • BCAR • BCPC • BCPR



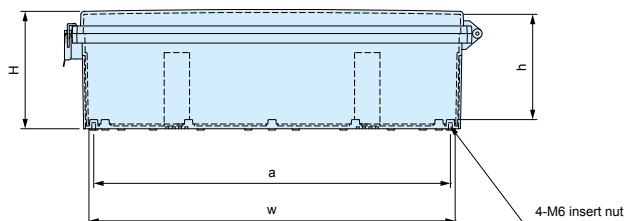
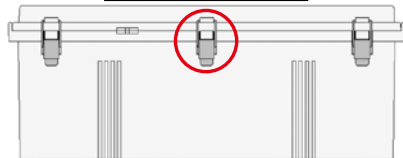
A →



**Attention when locking the latch**

1. Close latches on both ends first.
  2. Close center latch next.
- ※ Closing the center latch first may create a non-watertight seal.

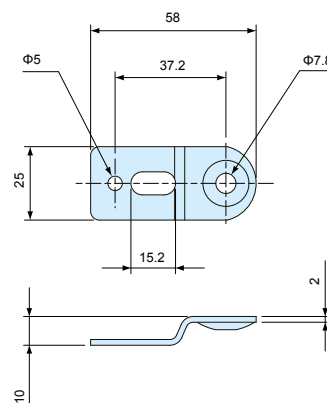
Center latch must be closed last!



Best-Nr. Product no.	W	D	H	Available range			Bottom hole pitch	
				w	d	h	a	c
BCAP • R, BCPC • K • R608018	630	830	188	575	777	165.6	562	762
BCAP • R, BCPC • K • R608028	630	830	288	573.5	773.5	265.8	562	762

Im Lieferumfang enthaltene Montagewinkel für 506018, 506025, 507018, 507025, 608018 and 608028

Included stainless steel mounting brackets for 506018, 506025, 507018, 507025, 608018 and 608028



Bezeichnung	Stück	Material	Farbe / Oberfläche
Montagewinkel	6	Edelstahl	unbehandelt
Schraube	6	Stahl	chromatiert

Part name	Pcs	Material	Color / Finish
Mounting bracket	6	Stainless	Unfinished
Screw	6	Steel	Trivalent chromate

# BRF Serie Überdachung

# Series BRF Outdoor Roof



- Empfohlen für Außenanwendungen zum Schutz vor Regen und Feuchtigkeit.
- Einfache Montage.
- Verfügbar für die Serien BCAP and BCPC • BCPK außer 151509, 151512, 405016, 405020, 406018, und 406023.
- Recommended to be used for outdoor environments for protection against rain etc.
- Snap-in easy installation.
- Available for BCAP and BCPC • BCPK series except 151509, 151512, 405016, 405020, 406018, and 406023 models.

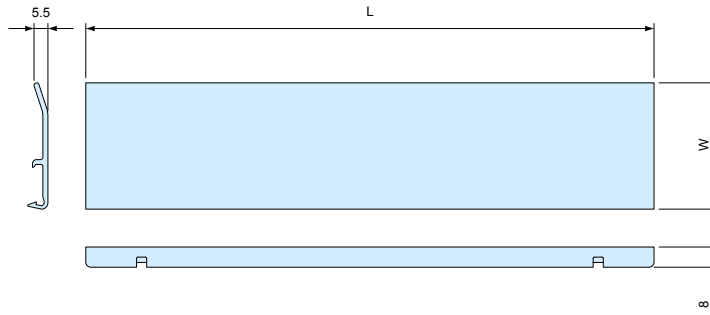
### Farbcode

Farbcode	Material	Farbe / Oberfläche	geeignete Serien
G	PVC	weißgrau / unlackiert	BCAP
S	PVC	lichtgrau / lackiert	BCPC • BCPK

### Color Type

Color code	Material	Color / Finish	Suitable series
G	PVC	White gray / Unpainted	BCAP
S	PVC	Light gray / Painted	BCPC • BCPK

Überdachung für 091207 ~ 353518  
Roof for 091207 ~ 353518

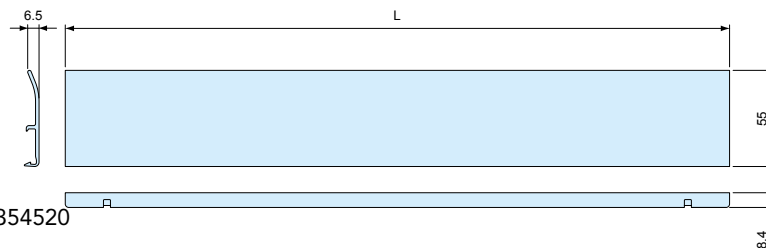


### Best-Nr. / Maße Product no. / Dimensions

- Bitte vervollständigen Sie die Bestellnummer mit dem Farbcode am Ende.
- Please suffix color code at the end of the product number.

Best-Nr. - Product no.	geeignetes Gehäuse - Suitable box	L	W
BRF- 90 □	BCAP • BCPC • BCPK 091207 091208	105	45
BRF-100 □	BCAP • BCPC • BCPK 101507 101508	115	45
BRF-110 □	BCAP • BCPC • BCPK 112107 112110 112607 112610	125	45
BRF-135 □	BCAP • BCPC • BCPK 131508 131808 131810	150	45
BRF-160 □	BCAP • BCPC • BCPK 162110 162113 162610 162613	175	45
BRF-170 □	BCAP • BCPC • BCPK 172211 172711	185	45
BRF-190 □	BCAP • BCPC • BCPK 192810 192814	205	45
BRF-210 □	BCAP • BCPC • BCPK 212110 212113	225	45
BRF-200 □	BCAP • BCPC • BCPK 203013 203015 203018	225	50
BRF-250 □	BCAP • BCPC • BCPK 253515 253518	275	50
BRF-280 □	BCAP • BCPC • BCPK 282813 283813	305	50
BRF-300 □	BCAP • BCPC • BCPK 303015 303018 304012 304015 304018	325	50
BRF-350 □	BCAP • BCPC • BCPK 353515 353518	375	50

Überdachung für 354512 ~ 354520  
Roof for 354512 ~ 354520



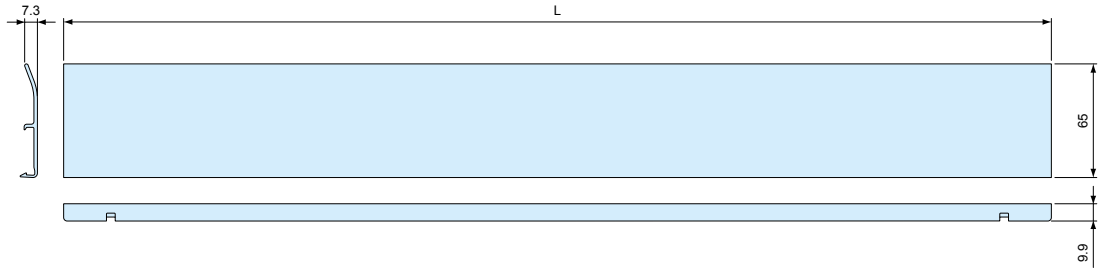
### Best-Nr. / Maße - Product no. / Dimensions

- Bitte vervollständigen Sie die Bestellnummer mit dem Farbcode am Ende.
- Please suffix color code at the end of the product number.

Best-Nr. Product no.	geeignetes Gehäuse Suitable box	L
BRF-350L □	BCAP • BCPC • BCPK 354512 354516 354520	380

- S Farbvariante ist lichtgrau lackiert. - ■ S color type is light gray painted.

Überdachung für 506018 ~ 608028  
 Roof for 506018 ~ 608028



**Best-Nr. / Maße - Product no. / Dimensions**

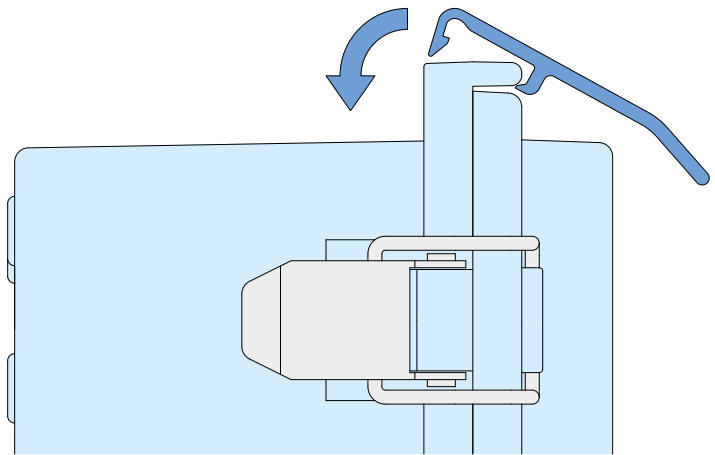
- Bitte vervollständigen Sie die Bestellnummer mit dem Farbcode am Ende.
- Please suffix color code at the end of the product number.

Best-Nr. Product no.	geeignetes Gehäuse Suitable box	L
BRF-530□	BCAP • BCPC • BCPK 506018 506025 507018 507025	565
BRF-630□	BCAP • BCPC • BCPK 608018 608028	665

- S Farbvariante ist lichtgrau lackiert. - ■ S color type is light gray painted.

■ Montageanweisung Serie BRF.  
 Siehe Zeichnung.

■ How to install BRF outdoor roof.  
 Refer to illustration.



**BCC-1 Staubschutzkappe** **BCC-1 Dust protection cap**



- Schützt gegen Staub und andere Einflüsse.
- Dient zum Korrosionsschutz am Schloss.
- Bei der Bestellung die Anzahl der Staubschutzkappen gemäß der Anzahl der Verriegelungen des ausgewählten Gehäuses beachten.

- Prevent dust and other foreign material entry.
- Protection against corrosion on key hole part in environments such as coastal areas.
- When ordering, please ensure that the quantity required corresponds to the number of latches on your selected enclosure.

**Best-Nr. / Maße**

Best-Nr.	Material	Farbe	VPE
BCC-1	Silikon	schwarz	1 Stück

**Product no. / Dimensions**

Product no.	Material	Color	Sales unit
BCC-1	Silicone	Black	1 pc

**Geeignetes Gehäuse - Suitable Box**

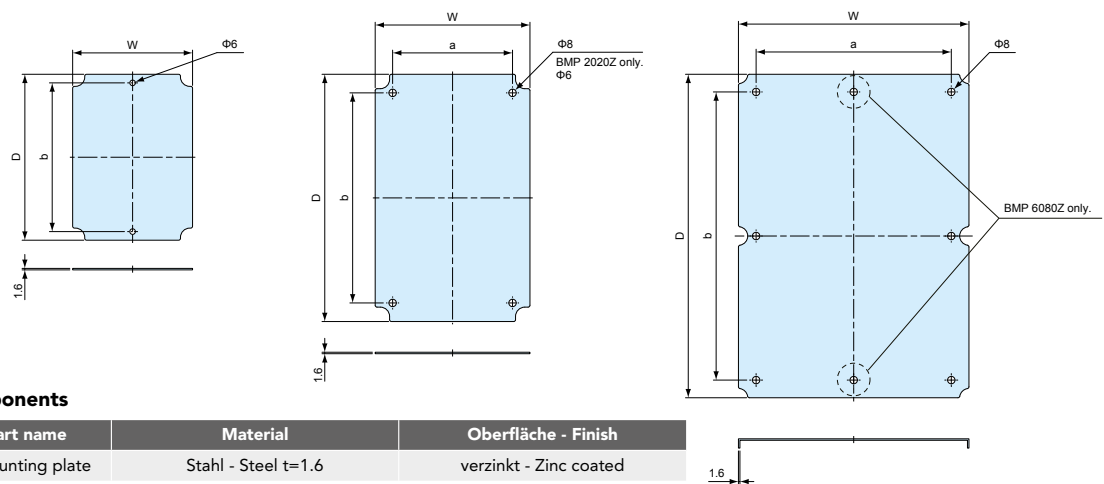
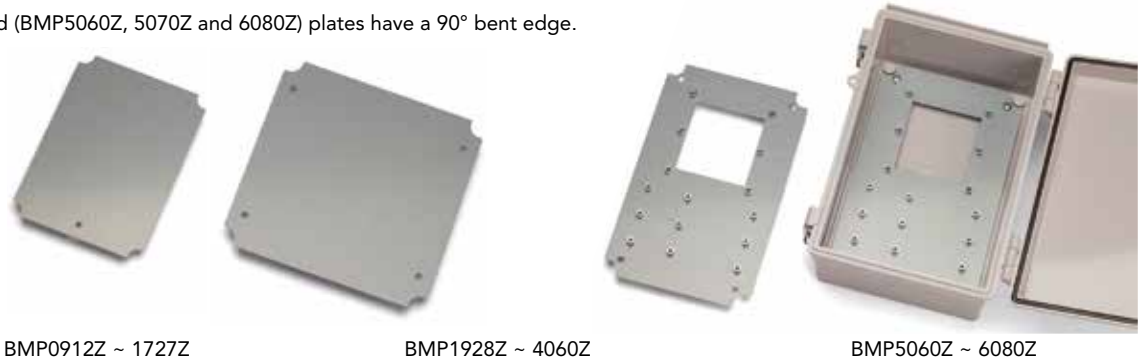
Geeignetes Gehäuse - Suitable box	Anzahl - Required
BCPK192810 ~ 203018, 253515 ~ 405020	2 pcs
BCPK406018 ~ 608028	3 pcs

- Nicht geeignet für BCPK 212110, 212113, 172711, und kleinere Serien. - ■ Not suitable for BCPK 212110, 212113, 172711, and smaller models.

# BMP-Z Serie Stahl-Montageplatte

# Series BMP-Z Steel mounting plate

- Stabil, dennoch einfach zu bearbeiten.
- Größere Montageplatten (BMP5060Z, 5070Z und 6080Z) haben 90° Abwicklungen.
- Tough but easily customizable.
- Large sized (BMP5060Z, 5070Z and 6080Z) plates have a 90° bent edge.



### Einzelteile - Components

Bezeichnung - Part name	Material	Oberfläche - Finish
Montageplatte - Mounting plate	Stahl - Steel t=1.6	verzinkt - Zinc coated

### Best-Nr. / Maße - Product no. / Dimensions

Best-Nr. - Product no.	W	D	a	b	Geeignetes Gehäuse - Suitable box	Gewicht - Weight (g)
BMP0912Z	58	88	-	69	BCAP • R, BCPC • K • R 091207, 091208	53
BMP0813Z	68	118	-	99	BCAP • R, BCPC • K • R 101507, 101508	87
BMP1121Z	77	177	-	158	BCAP • R, BCPC • K • R 112107, 112110	159
BMP1126Z	77	227	-	208	BCAP • R, BCPC • K • R 112607, 112610	210
BMP1315Z	102	122	-	110	BCAP • R, BCPC • K • R 131508	141
BMP1217Z	102	152	-	140	BCAP • R, BCPC • K • R 131808, 131810	180
BMP1515Z	121	121	-	110	BCAP BCPC • K 151509, 151512	172
BMP1520Z	126	176	-	160	BCAP • R, BCPC • K • R 162110, 162113	262
BMP1525Z	127	227	-	210	BCAP • R, BCPC • K • R 162610, 162613	346
BMP1722Z	137	187	-	160	BCAP • R, BCPC • K • R 172211	308
BMP1727Z	137	237	-	210	BCAP • R, BCPC • K • R 172711	391
BMP1928Z	157	247	120	210	BCAP • R, BCPC • K • R 192810, 192814	462.5
BMP2020Z	176	176	120	150	BCAP • R, BCPC • K • R 212110, 212113	371
BMP2030Z	165	265	129	226	BCAP • R, BCPC • K • R 203013, 203015, 203018	519
BMP2535Z	215	315	180	270	BCAP • R, BCPC • K • R 253515, 253518	816
BMP2828Z	246	246	210	210	BCAP • R, BCPC • K • R 282813	727.5
BMP2838Z	246	346	210	310	BCAP • R, BCPC • K • R 283813	1,018
BMP3030Z	264	264	219	219	BCAP • R, BCPC • K • R 303015, 303018	826.5
BMP3040Z	265	365	228	325	BCAP • R, BCPC • K • R 304012, 304015, 304018	1,154
BMP3535Z	315	315	270	270	BCAP • R, BCPC • K • R 353515, 353518	1,196.5
BMP3545Z	301	401	274	365	BCAP • R, BCPC • K • R 354512, 354516, 354520	1,443
BMP4050Z	354	454	328	428	BCAP BCPC • K 405016, 405020	1,998
BMP4060Z	354	551	328	525	BCAP BCPC • K 406018, 406023	2,328
BMP5060Z	474	574	426	526	BCAP • R, BCPC • K • R 506018, 506025	3,286
BMP5070Z	472	672	426	626	BCAP • R, BCPC • K • R 507018, 507025	3,864
BMP6080Z	565	765	526	726	BCAP • R, BCPC • K • R 608018, 608028	5,288.5

■ K = BCPK series / R = BCAR • BCPR series

# BMP-P Serie Kunststoff-Montageplatte

# Series BMP-P Plastic mounting plate

- Leichte ABS Kunststoff-Montageplatte.
- Flache Montageplatte: BMP0811P ~ BMP1515P  
Geschlitzte Montageplatte: BMP1520P ~ BMP4050P

- Lightweight ABS plastic mounting plate.
- Flat plate: BMP0811P ~ BMP1515P  
Ribbed plate: BMP1520P ~ BMP4050P

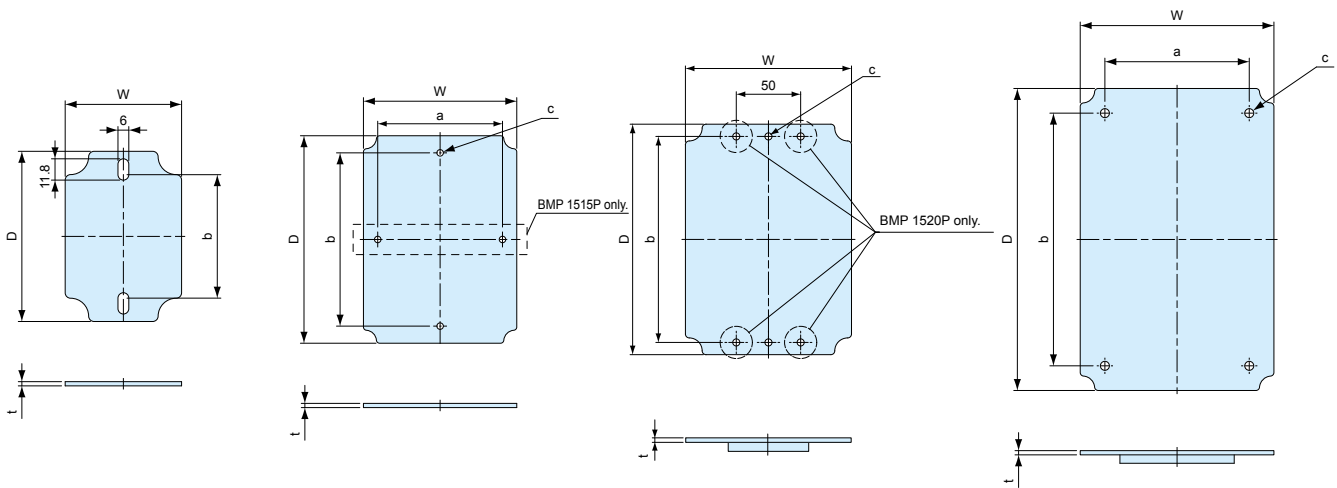


BMP0811P (Flat)

BMP0813P, 1515P (Flat)

BMP1520P, 1525P (Ribbed)

BMP1928P ~ 4050P (Ribbed)



## Einzelteile

Bezeichnung	Material	Farbe
Montageplatte	ABS	weißgrau

## Components

Part name	Material	Color
Mounting plate	ABS	White gray

## Best-Nr. / Maße - Product no. / Dimensions

Best-Nr. / Product no.	W	D	a	b	t	c (Φ)	Geeignetes Gehäuse - Suitable box	Weight (g)
BMP0811P	64.5	94.3	-	68.4	3.5	-	BCAP • R, BCPC • K • R 091207, 091208	21
BMP0813P	64.5	114.5	-	99	3	Φ6	BCAP • R, BCPC • K • R 101507, 101508	24
BMP1121P	76.5	176	-	158	3	Φ6	BCAP • R, BCPC • K • R 112107, 112110	40
BMP1126P	76.5	226	-	208	3	Φ6	BCAP • R, BCPC • K • R 112607, 112610	53
BMP1315P	101.5	121.5	-	110	3.5	Φ5.5	BCAP • R, BCPC • K • R 131508	36
BMP1217P	109.5	160	-	140	4	Φ6	BCAP • R, BCPC • K • R 131808, 131810	62
BMP1515P	123	123	110	110	3.5	Φ6	BCAP BCPC • K 151509, 151512	52
BMP1520P	129	179	-	160	3.5	Φ5.5	BCAP • R, BCPC • K • R 162110, 162113, 172211	92
BMP1525P	129	228.5	-	210	3.5	Φ6	BCAP • R, BCPC • K • R 162610, 162613, 172711	112
BMP1928P	158.5	248	120	210	3.5	Φ8	BCAP • R, BCPC • K • R 192810, 192814	162
BMP2020P	178.5	178.5	120	150	3.5	Φ5.5	BCAP • R, BCPC • K • R 212110, 212113	125
BMP2030P	166.5	266	128	225.5	4	Φ8	BCAP • R, BCPC • K • R 203013, 203015, 203018	188
BMP2535P	215.5	315	180	268.5	4	Φ8	BCAP • R, BCPC • K • R 253515, 253518	292
BMP2828P	248.5	248.5	210	210	4	Φ8	BCAP • R, BCPC • K • R 282813	237
BMP2838P	248	347.5	209	309.5	4	Φ8	BCAP • R, BCPC • K • R 283813	368
BMP3030P	262.5	262.5	219	219	4	Φ7.5	BCAP • R, BCPC • K • R 303015, 303018	281
BMP3040P	264.5	364	227	323	4	Φ8	BCAP • R, BCPC • K • R 304012, 304015, 304018	437
BMP3535P	313.5	313.5	269.5	269.5	4	Φ8	BCAP • R, BCPC • K • R 353515, 353518	424.5
BMP3545P	305	405.5	273	364	4	Φ8	BCAP • R, BCPC • K • R 354512, 354516, 354520	539
BMP4050P	357	457	328	428	4	Φ8.5	BCAP BCPC • K 405016, 405020	725.5

■ K = BCPK series / R = BCAR • BCPR series

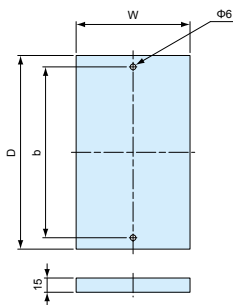
# BMP-W Serie Montageplatte aus Holz

# Series BMP-W Wooden mounting plate

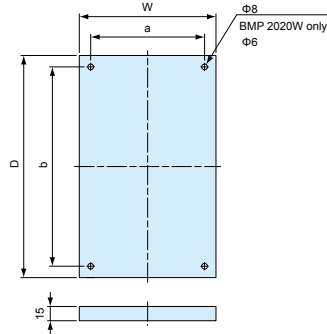
- Einfache Montage mit selbstschneidenden Schrauben.
- Einfache Bearbeitung möglich.
- Montageplatte mit gedrucktem Raster als Referenz.
- Easy installation with tapping screws.
- Easily customizable hard wooden plate.
- Plate comes with scales printed on for easy references.



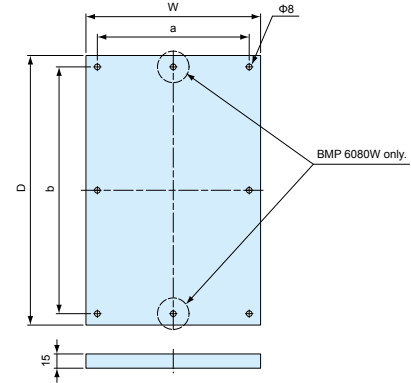
BMP0912W ~ 1727W



BMP1928W ~ 4060W



BMP5060W ~ 6080W



### Einzelteile - Components

Bezeichnung - Part name	Stück - Pcs	Material	Farbe / Oberfläche - Color / Finish
Montageplatte - Mounting plate	1	Holztafel - Wood board t=15	bedruckte Oberfläche mit Skalierung
Schraube - Screw	2 ~ 8	Stahl - Steel	chromatiert

### Best-Nr. / Maße - Product no. / Dimensions

Best-Nr. - Product no.	W	D	a	b	Geeignetes Gehäuse - Suitable box	Schraube - Screw	Weight (g)
BMP0912W	58	92	-	69	BCAP • R, BCPC • K • R 091207, 091208	M4-20 × 2 pcs	62
BMP0813W	68	122	-	99	BCAP • R, BCPC • K • R 101507, 101508	M4-20 × 2 pcs	94
BMP1121W	77	181	-	158	BCAP • R, BCPC • K • R 112107, 112110	M4-20 × 2 pcs	166
BMP1126W	77	231	-	208	BCAP • R, BCPC • K • R 112607, 112610	M4-20 × 2 pcs	191
BMP1315W	102	126	-	110	BCAP • R, BCPC • K • R 131508	M4-20 × 2 pcs	127
BMP1217W	102	156	-	140	BCAP • R, BCPC • K • R 131808, 131810	M4-20 × 2 pcs	190
BMP1515W	118	125	-	110	BCAP BCPC • K 151509, 151512	M4-20 × 2 pcs	172
BMP1520W	126	180	-	160	BCAP • R, BCPC • K • R 162110, 162113	M4-20 × 2 pcs	243
BMP1525W	127	231	-	210	BCAP • R, BCPC • K • R 162610, 162613	M4-20 × 2 pcs	352
BMP1722W	137	191	-	160	BCAP • R, BCPC • K • R 172211	M4-20 × 2 pcs	286
BMP1727W	137	241	-	210	BCAP • R, BCPC • K • R 172711	M4-20 × 2 pcs	212
BMP1928W	150	240	120	210	BCAP • R, BCPC • K • R 192810, 192814	M5-20 × 4 pcs	350
BMP2020W	170	174	120	150	BCAP • R, BCPC • K • R 212110, 212113	M4-20 × 4 pcs	336
BMP2030W	159	256	129	226	BCAP • R, BCPC • K • R 203013, 203015, 203018	M5-20 × 4 pcs	482
BMP2535W	210	300	180	270	BCAP • R, BCPC • K • R 253515, 253518	M5-20 × 4 pcs	688
BMP2828W	240	240	210	210	BCAP • R, BCPC • K • R 282813	M5-20 × 4 pcs	565
BMP2838W	240	340	210	310	BCAP • R, BCPC • K • R 283813	M5-20 × 4 pcs	893
BMP3030W	249	249	219	219	BCAP • R, BCPC • K • R 303015, 303018	M5-20 × 4 pcs	659
BMP3040W	258	355	228	324	BCAP • R, BCPC • K • R 304012, 304015, 304018	M5-20 × 4 pcs	965
BMP3535W	300	300	270	270	BCAP • R, BCPC • K • R 353515, 353518	M5-20 × 4 pcs	964
BMP3545W	301	395	274	365	BCAP • R, BCPC • K • R 354512, 354516, 354520	M5-20 × 4 pcs	1,314
BMP4050W	355	455	328	428	BCAP BCPC • K 405016, 405020	M5-20 × 4 pcs	1,754
BMP4060W	355	552	328	525	BCAP BCPC • K 406018, 406023	M5-20 × 4 pcs	2,015.5
BMP5060W	456	556	426	526	BCAP • R, BCPC • K • R 506018, 506025	M5-20 × 6 pcs	2,650
BMP5070W	456	656	426	626	BCAP • R, BCPC • K • R 507018, 507025	M5-20 × 6 pcs	3,152.5
BMP6080W	556	756	526	726	BCAP • R, BCPC • K • R 608018, 608028	M5/M6-20 × 8 pcs	4,434

■ K = BCPC series / R = BCAR • BCPR series

# BFL Serie Kunststoff-Montagewinkel

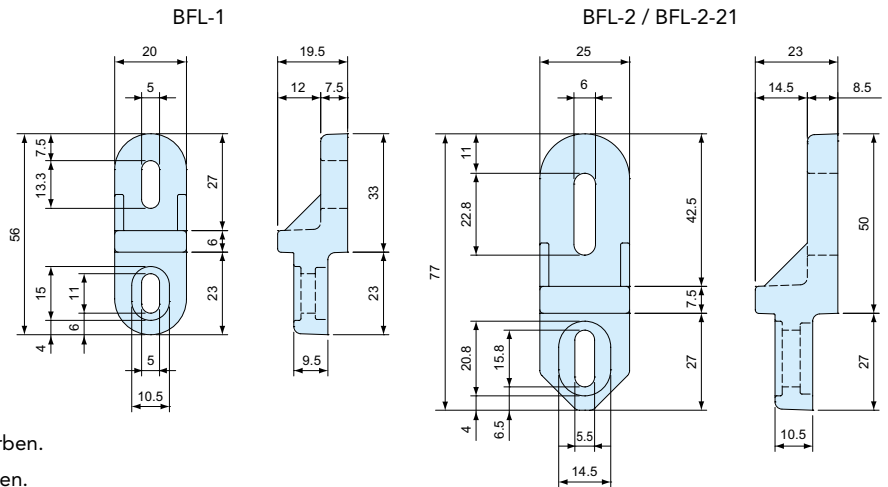
# Series BFL Plastic mounting bracket



Color G

Color S

- 2 verschiedene Farbvarianten gemäß Gehäusefarben.
- Stabiles Polycarbonatmaterial mit Glasfaseranteilen.
- 2 different colored type to match box colors.
- Tough and strong glass fiber filled polycarbonate.



## Farbcode

Code	Farbe	Material
G	weißgrau	BCAP • BCAR
S	lichtgrau	BCPC • BCPK • BCPR

## Color Type

Code	Color	Material
G	White gray	BCAP • BCAR
S	Light gray	BCPC • BCPK • BCPR

## Einzelteile

Bezeichnung	Stück	Material / Oberfläche
Montagewinkel	4	Polycarbonat inkl. Glasfaser
Schraube	4	Edelstahl / unbehandelt

## Components

Part name	Pcs	Material / Finish
Mounting bracket	4	Glass fiber filled polycarbonate
Screw	4	Stainless steel / Unfinished

## Best-Nr. / Maße - Product no. / Dimensions

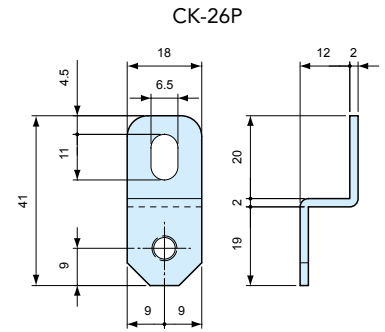
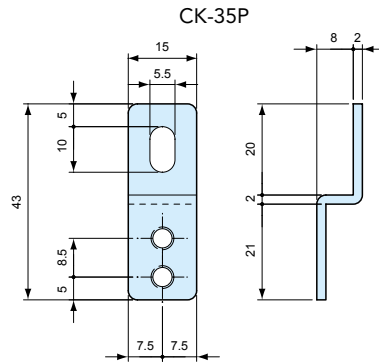
Best-Nr. Product no.	Geeignetes Gehäuse - Suitable box	Schraube Screw
BFL-1□	BCAP • R, BCPC • K • R 0912, 1015, 1121, 1126, 1315, 1318, 1621, 1626, 1722, 1727, 212113	M4-12
BFL-2□	BCAP • R, BCPC • K • R 1928, 2030, 2535, 2828, 2838, 3030, 3040, 3535, 3545, 4050, 4060, 5060	M5-12
BFL-2-21□	BCAP • R, BCPC • K • R 212110	M4-12

- Bitte vervollständigen Sie die Bestellnummer mit dem Farbcode am Ende.
- ※Nicht geeignet für Serie BCAP1515. Hierfür bitte Serie CK-35P (Edelstahl) einsetzen.
- Please suffix color code at the end of the product number.
- ※Not suitable for BCAP1515 model. Use CK-35P (Stainless steel) instead.



## CK Serie Edelstahl Montagewinkel

## Series CK Stainless steel mounting bracket



### Einzelteile

Bezeichnung	Stück	Material	Oberfläche
Montagewinkel	4	Edelstahl	trowalisiert
Schraube	4	Edelstahl	unbehandelt

### Best-Nr. / Maße

Best-Nr.	Geeignetes Gehäuse	Schraube
CK-35P	BCAP • R, BCPC • K • R 0912, 1015, 1121, 1126, 1315, 1318, 1515, 1621, 1626, 1722, 1727, 2121	M4-10
CK-26P	BCAP • R, BCPC • K • R 1928, 2030, 2535, 2828, 2838, 3030, 3040, 3535, 3545, 4050, 4060	M5-10

### Components

Part name	Pcs	Material	Finish
Mounting bracket	4	Stainless steel	Barrel finish
Screw	4	Stainless steel	Unfinished

### Product no. / Dimensions

Product no.	Suitable box	Screw
CK-35P	BCAP • R, BCPC • K • R 0912, 1015, 1121, 1126, 1315, 1318, 1515, 1621, 1626, 1722, 1727, 2121	M4-10
CK-26P	BCAP • R, BCPC • K • R 1928, 2030, 2535, 2828, 2838, 3030, 3040, 3535, 3545, 4050, 4060	M5-10

## MT Serie PCB Montageschraube

## Series MT PCB mounting screw

- PCB Montageschraube Serien BCAP • BCAR • BCPC • BCPK • BCPR.
- PCB mounting screws for inner bosses of BCAP • BCAR • BCPC • BCPK • BCPR series.



### Best-Nr. / Maße

Best-Nr.	Material	Oberfläche	VPE
MT4-8T	Stahl M4	chromatiert	20
MT5-8T	Stahl M5	chromatiert	20

### Product no. / Dimensions

Product no.	Material	Finish	Pack of
MT4-8T	Steel M4	Trivalent chromate	20
MT5-8T	Steel M5	Trivalent chromate	20

### Geeignetes Gehäuse - Suitable Box

Best-Nr.	Geeignetes Gehäuse	Schraube
MT4-8T	BCAP • R, BCPC • K • R 0912, 1015, 1121, 1126, 1315, 1318, 1515, 1621, 1626, 1722, 1727, 1928, 2121	7kgf • cm (0.7N • m)
MT5-8T	BCAP • R, BCPC • K • R 2030, 2535, 2828, 2838, 3030, 3040, 3535, 3545, 4050, 4060, 5060, 5070, 6080	14kgf • cm (1.4N • m)

# SSK Serie Mast-Montagehalter

# Series SSK Pole mounting bracket



- Edelstahl Mast-Montagehalter für Serien BCAP • BCAR und BCPC • BCPK • BCPR.
- Keine Bohrungen notwendig um den Schutzgrad erhalten zu können.
- Nutzen Sie PKB Montagegurt zur Mastbefestigung.
- Stainless steel pole mounting bracket for BCAP • BCAR and BCPC • BCPK • BCPR series.
- No hole milling is required for maintaining the IP rating of the enclosure.
- Use PKB mounting belt to install onto a pole.

## ANWENDUNGSBEISPIEL APPLICATION EXAMPLE



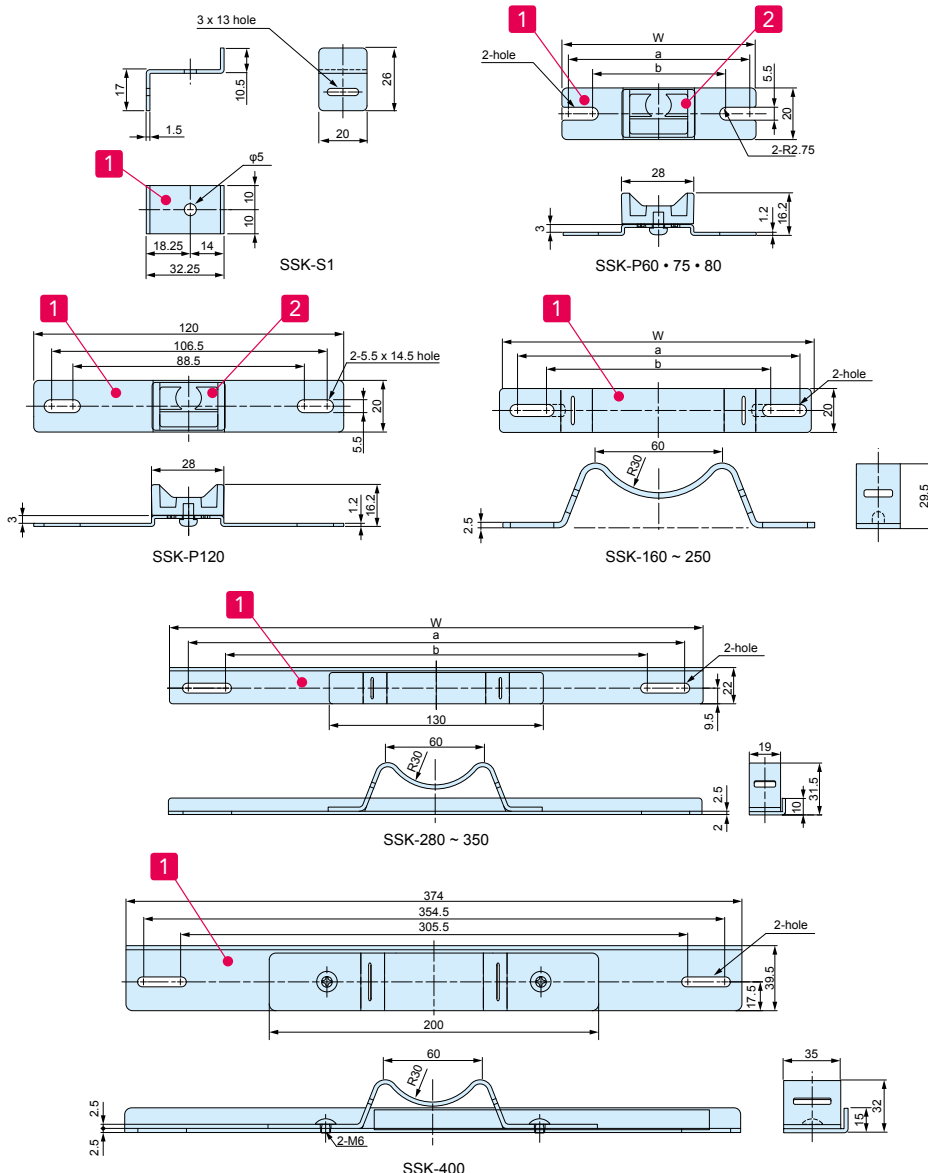
WEATHER STATION DATA LOGGER  
Product by Sakaki Corporation (Japan)



WATER LEVEL DETECTOR  
Product by Aspect System (Japan)

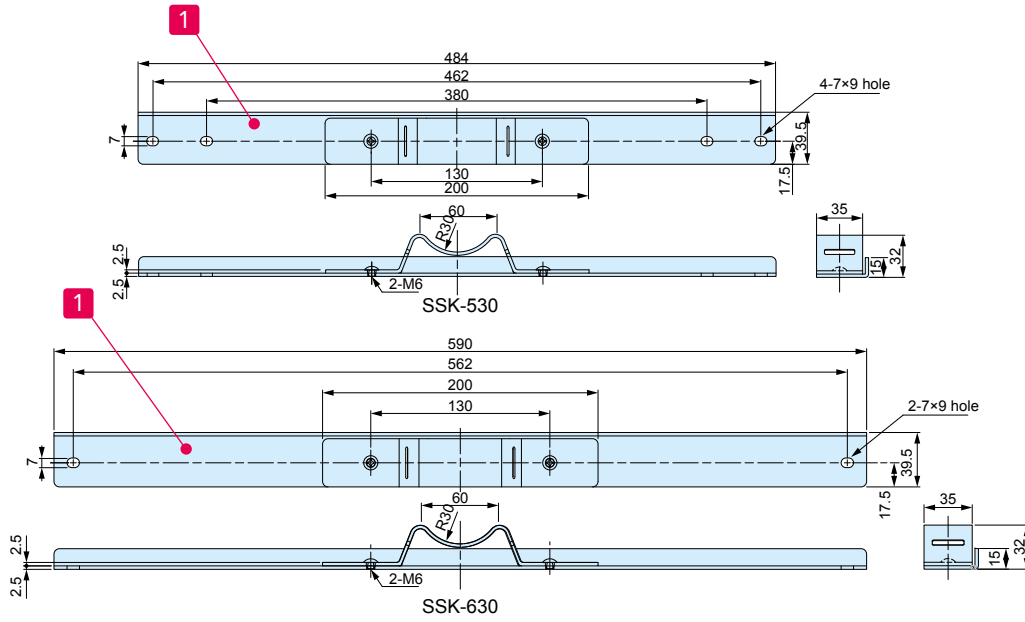
### SSK Maße

### SSK dimensions



Zubehör (optional erhältlich)

Accessories (optional parts)



Einzelteile

Nr.	Bezeichnung	Stück	Material	Farbe / Oberfläche
1	Montagegurt	2 / 4	Edelstahl SUS304	trowalisiert
2	Montageklammer (Nur Serie SSK-P)	2	ASA UL94HB	weißgrau (RAL7035)
-	Schraube	4	Edelstahl SUS304	unbehandelt

Components

No.	Part name	Pcs	Material	Color / Finish
1	Bracket	2 / 4	Stainless Steel SUS304	Barrel finish
2	Plastic bracket (SSK-P type only)	2	ASA UL94HB	White gray (RAL7035)
-	Screw	4	Stainless Steel SUS304	Unfinished

Best-Nr. / Maße - Product no. / Dimensions

Best-Nr. Product no.	W	a	b	c	Gehäusegröße Box size	Passender Montagegurt Belt to use with	VPE Pack of
SSK-S1	32.25	18.25	14	-	0912, 1015, 1121, 1126, 1315, 1318, 1621, 1626, 1722, 1727, 2121	PKB-10P, PKB-10S	4
SSK-P60	60	54.5	46.5	5.5x9	0912	PKB-10P, PKB-10S	2
SSK-P75	75	69.5	53.5	5.5x12.5	1015	PKB-10P, PKB-10S	2
SSK-P80	80	74.5	64.5	5.5x10.5	1121, 1126	PKB-10P, PKB-10S	2
SSK-P120	120	106.5	88.5	5.5x14.5	1315, 1318	PKB-10P, PKB-10S	2
SSK-160	142	129.5	101	-	1515, 1621, 1626	PKB-10P, PKB-10S	2
SSK-170	152	142.3	101	-	1722, 1727	PKB-10P, PKB-10S	2
SSK-200	174	161.5	112.5	-	1928, 2030	PKB-10P, PKB-10S	2
SSK-210	192	180.5	131.5	-	2121	PKB-10P, PKB-10S	2
SSK-250	230	215.5	166.5	-	2535	PKB-10P, PKB-10S	2
SSK-280	260	244.5	195.5	-	2828, 2838	PKB-10P, PKB-10S	2
SSK-300	280	264.5	215.5	-	3030, 3040	PKB-10P, PKB-10S	2
SSK-350	324	302.5	253.5	-	3535, 3545	PKB-10P, PKB-10S	2
SSK-400	374	354.5	305.5	-	4050, 4060	PKB-20S	2
SSK-530	484	462	380	7x9	5060, 5070	PKB-20S	2
SSK-630	590	562	-	7x9	6080	PKB-20S	2

# PKB Serie Mast-Montagegurt

# Series PKB Pole mounting belt



PKB-10P

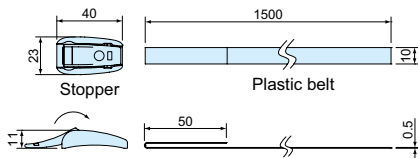


PKB-10S, 20S

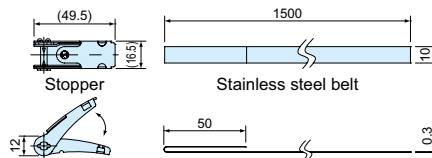
- Universal einsetzbarer Mast-Montagegurt für unterschiedliche Gehäusetypen.
- Aus Edelstahl für hohe Festigkeit, einfache Installation. Ebenfalls aus Kunststoff verfügbar.
- Serie SSK notwendig zur Mastbefestigung.
- Nur einmal einsetzbar (nicht wiederverwendbar).

- Universal pole mounting belt for various types of enclosures / box.
- Strong clamping stainless steel type and easy installation plastic type are available.
- Use SSK mounting bracket to install onto a pole.
- Designed for one time use only (not reusable).

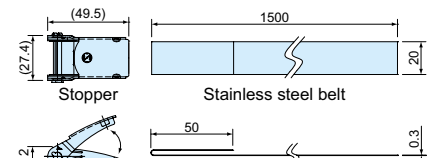
PKB-10P



PKB-10S



PKB-20S



## Einzelteile

Bezeichnung	Stück	Material	Farbe / Oberfläche
Stopper	2	POM • Edelstahl SUS304	schwarz • trowalisiert
Gurt	2	PET • Edelstahl SUS430	grau • getempert

## Components

Part name	Pcs	Material	Color / Finish
Stopper	2	POM • Stainless steel SUS304	Black • Barrel finish
Belt	2	PET • Stainless steel SUS430	Gray • Bright annealed finish

## Best-Nr. / Maße

Best-Nr.	Zugfestigkeit (horizontal)	Gurtmaterial	Gurtlänge	Gewicht (g)	VPE
PKB-10P	1.3kN	PET	1,500mm	31.8	2
PKB-10S	1.4kN	Edelstahl	1,500mm	101.6	2
PKB-20S	2.9kN	Edelstahl	1,500mm	182.2	2

## Product no. / Dimensions

Product no.	Tensile strength (horizontal)	Belt material	Belt length	Weight (g)	Pack of
PKB-10P	1.3kN	PET	1,500mm	31.8	2
PKB-10S	1.4kN	Stainless steel	1,500mm	101.6	2
PKB-20S	2.9kN	Stainless steel	1,500mm	182.2	2