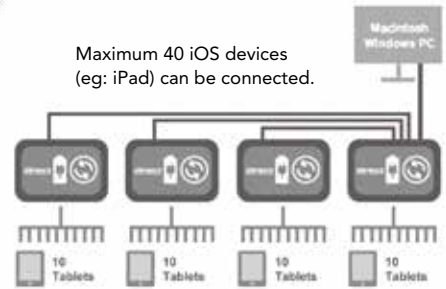




Product by MT-planning, Ltd.(Japan)
Website : mt-planning.com



USB-HUB

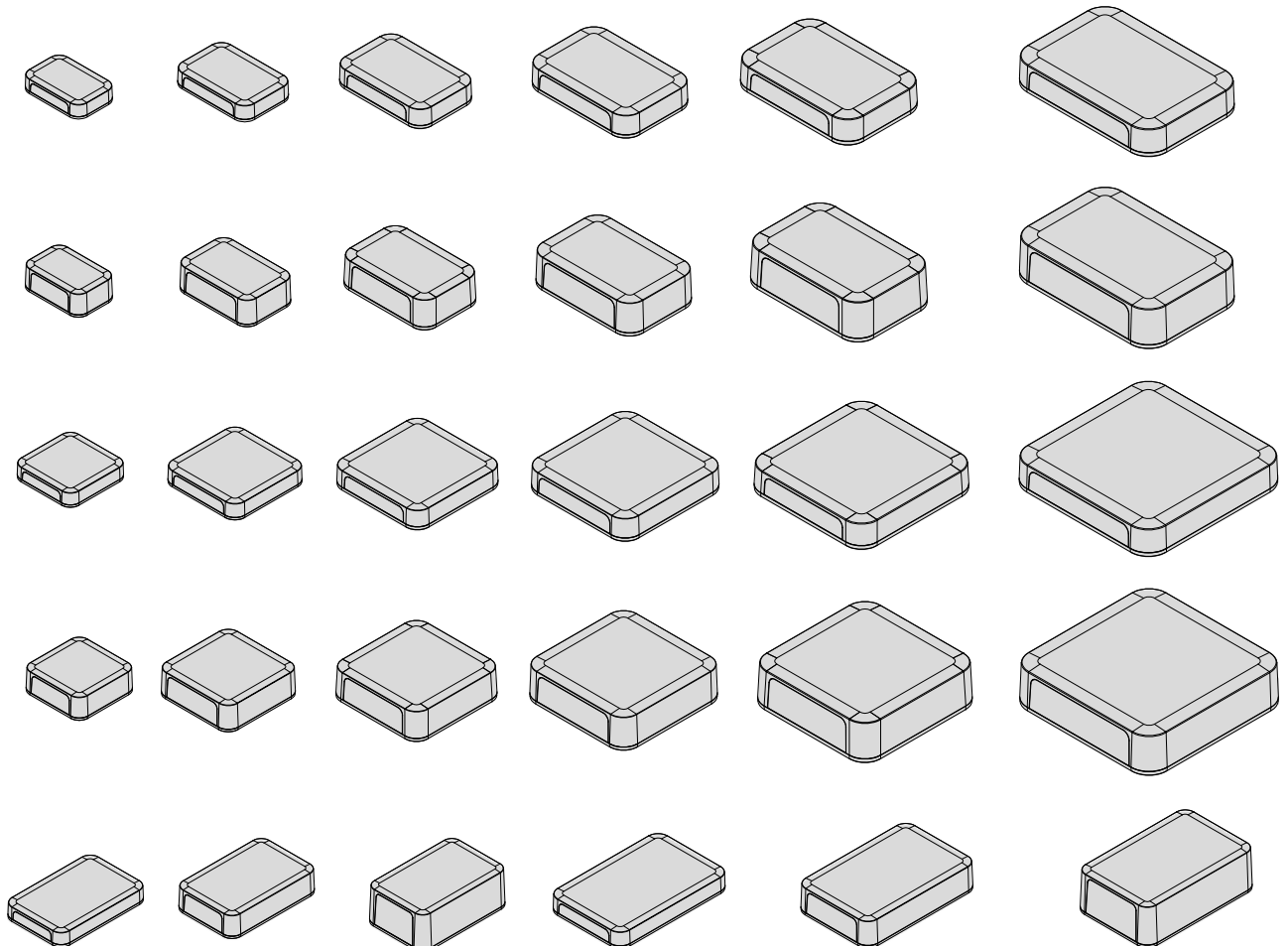
USB-HUB ermöglicht das Aufladen und die Synchronisation von unterschiedlichen USB-Geräten.
USB-HUB enabling power charging and data synchronization for multiple USB devices.

Serie PF Netzwerk Gehäuse

Series PF Flat Network Case

Große Auswahl, 30 verschiedene Größen verfügbar.
Huge selection, 30 different sizes are now available.

Von 100 x 67 x 22.5 to 240 x 240 x 60mm. - From 100 x 67 x 22.5 to 240 x 240 x 60mm.



ANWENDUNGSBEISPIELE - APPLICATION EXAMPLE

USB HEMODYNAMIC RESEARCH DEVICE



Product by Cardiovascular Engineering, Inc. (USA)
website : cardiovascularengineering.com

WIRELESS HOME ELECTRONICS CONTROLLER

Product by AR SMART SAS (Colombia)
Website : ar-smart.co



iCONSE-T IOT and SENSOR NETWORK TRAINING SYSTEM

Product by Benchmark Electronic Systems (India)
website : iconse-t.com



G4 FLIGHT TRACKER

Product by Guardian Mobility (Canada)
website : guardianmobility.com



TOUCH PANEL CONTROLLER

Product by Elmar Electronic d.o.o. (Croatia)
Website : elmar-el.hr



GSM MODULE

Product by Elmar Electronic d.o.o. (Croatia)
Website : elmar-el.hr



WIRELESS NETWORK DATA LOGGER

Product by SensingWinTech Co.,Ltd. (Japan)
Website : sensingwintech.com



ADVANCED TRIGGER STATION

Product by BrainTrends (Italy)
Website : braintrends.it





Serie PF Netzwerk Gehäuse



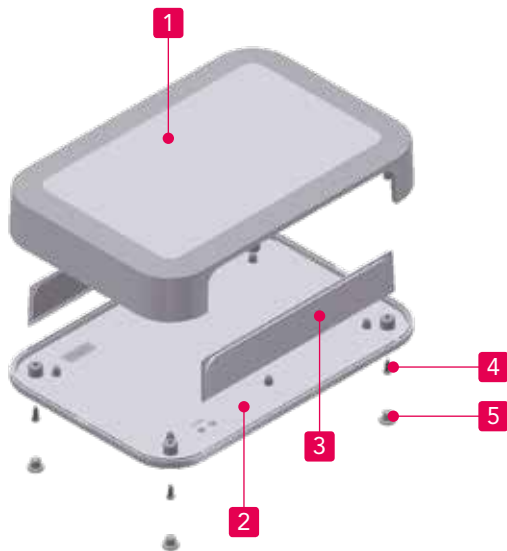
Series PF Flat Network Case

Technische Daten

Schutzklasse: IP40
Temperaturbereich: -10°C ~ +60°C

Technical Data

Protection class: IP40
Operating temperature: -10°C ~ +60°C



- Flaches Designergehäuse mit herausnehmbaren Deckelplatten.
- Schwer entflammables ABS UL94V-0 Material, verfügbar in weiß und in dunkelgrau.
- 6 neue Größen ergeben insgesamt 36 verschiedene Gehäusedimensionen.
- Mit integrierten Befestigungsdomen zur Leiterplattenmontage.
- Geeignet für Wi-Fi access point, Messgeräte, HUB oder Controller, verschiedene Deskop-Anwendungen, Wandmontage uvm.

- Flat designed plastic case with detachable panels.
- Made of flame-resistant ABS UL94V-0, and available in off-white and dark gray color.
- 6 new sizes added for a total of 36 different sizes available for selection.
- Equipped with built-in bosses for PCB mounting.
- Suitable for Wi-Fi access point, measuring equipment, controller or various other applications for desktop, wall mounting use and so on.

Komponenten - Components

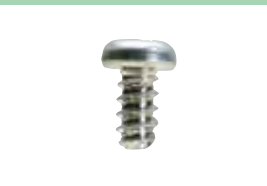
Nr. No.	Bezeichnung Part name	Stück Pcs	Material	Farbe / Oberfläche Color / Finish
1	Oberschale - Top cover	1	ABS UL94V-0	weiß • dunkelgrau - Off-white • Dark gray
2	Unterschale - Bottom base	1	ABS UL94V-0	weiß • dunkelgrau - Off-white • Dark gray
3	Deckelplatten - Panel	2	ABS UL94V-0	weiß • dunkelgrau - Off-white • Dark gray
4	Schraube - Self tapping screw	4	Stahl - Steel	vernickelt - Nickel plated
5	GummifüÙe - Rubber feet	4	TVP(UL94HB) - Elastomer	dunkelgrau - Dark gray

PF Zubehör (optional erhältlich)

(Optional parts) PF Accessories



Abstandsbolzen
Tapping standoff TPS series



PCB Montageschraube
PCB mounting screw EM series



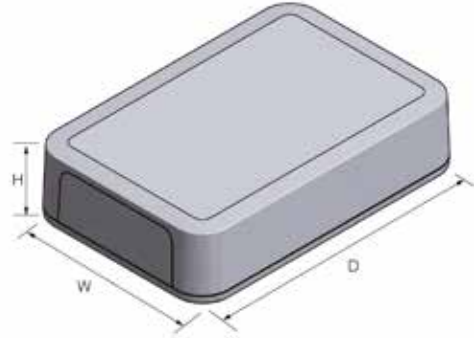
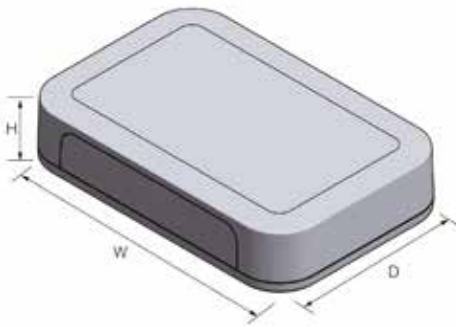
TORX Schraube
TORX screw MR series



Wandaufhängung
Suspension bracket WM series



Neodymium Magnet
Neodymium magnet NMG series



Aufstellfuß
Tilt leg TLW series

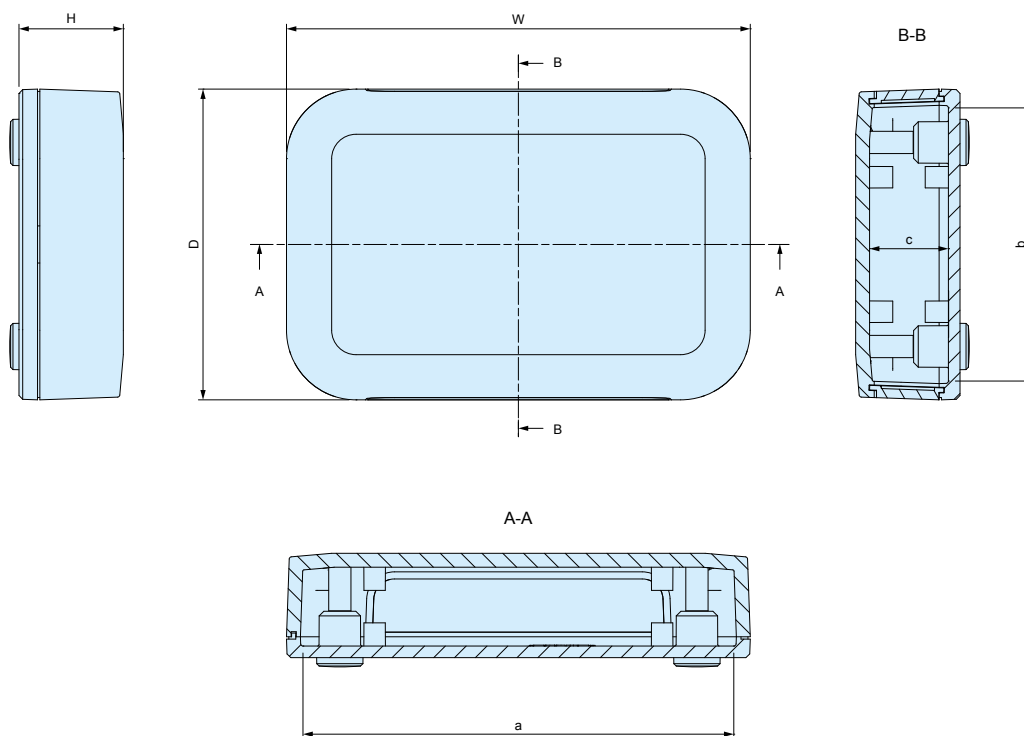
Bestellnummer / Maße Product no. / Dimensions

※ H Dimension ist ohne Gummifuß (Gummifuß = 2mm)
※ H dimension is not inclusive of rubber feet. (Rubber feet height = 2mm)

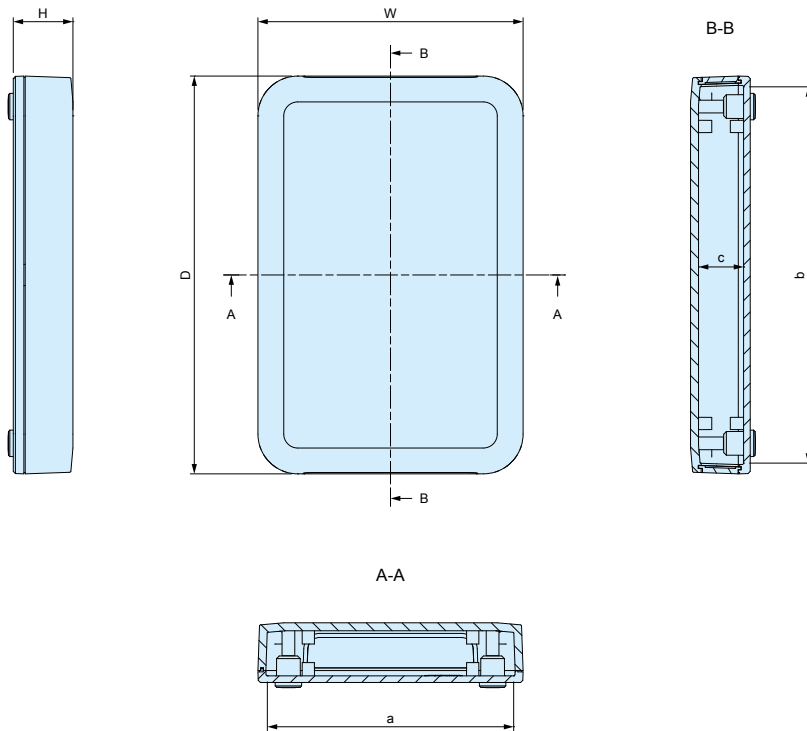
Best-Nr. - Product no.		Maße - Dimensions			Schraube Screw	Gewicht (g) Weight (g)
● weiß - Off-white	● dunkelgrau - Dark gray	W	H	D		
PF10- 2- 7W	PF10- 2- 7D	100	22.5	67	M2.5-8 x 4 pcs	60
PF10- 2-10W	PF10- 2-10D	100	22.5	100	M2.5-8 x 4 pcs	82.9
PF10- 2-15W	PF10- 2-15D	100	22.5	150	M2.5-8 x 4 pcs	120.2
PF10- 4- 7W	PF10- 4- 7D	100	35	67	M2.5-8 x 4 pcs	65
PF10- 4-10W	PF10- 4-10D	100	35	100	M2.5-8 x 4 pcs	97.1
PF10- 4-15W	PF10- 4-15D	100	35	150	M2.5-8 x 4 pcs	132.6
PF10- 6-15W	PF10- 6-15D	100	55	150	M2.5-8 x 4 pcs	169.1
PF13- 3- 9W	PF13- 3- 9D	125	25	85	M2.5-8 x 4 pcs	90.8
PF13- 3-13W	PF13- 3-13D	125	25	125	M2.5-8 x 4 pcs	127.5
PF13- 3-19W	PF13- 3-19D	125	25	190	M2.5-8 x 4 pcs	186.8
PF13- 4- 9W	PF13- 4- 9D	125	40	85	M2.5-8 x 4 pcs	108.4
PF13- 4-13W	PF13- 4-13D	125	40	125	M2.5-8 x 4 pcs	151.4
PF13- 4-19W	PF13- 4-19D	125	40	190	M2.5-8 x 4 pcs	214.9
PF13- 6-19W	PF13- 6-19D	125	60	190	M2.5-8 x 4 pcs	250.4
PF15- 3-10W	PF15- 3-10D	150	30	100	M2.5-8 x 4 pcs	145.5
PF15- 3-15W	PF15- 3-15D	150	30	150	M2.5-8 x 4 pcs	207.5
PF15- 5-10W	PF15- 5-10D	150	45	100	M2.5-8 x 4 pcs	166
PF15- 5-15W	PF15- 5-15D	150	45	150	M2.5-8 x 4 pcs	233.5
PF18- 4-12W	PF18- 4-12D	175	35	120	M2.5-8 x 4 pcs	188.7
PF18- 4-18W	PF18- 4-18D	175	35	175	M2.5-8 x 4 pcs	266.8
PF18- 5-12W	PF18- 5-12D	175	50	120	M2.5-8 x 4 pcs	213.6
PF18- 5-18W	PF18- 5-18D	175	50	175	M2.5-8 x 4 pcs	302.1
PF20- 4-13W	PF20- 4-13D	200	40	135	M3-8 x 4 pcs	264
PF20- 4-20W	PF20- 4-20D	200	40	200	M3-8 x 4 pcs	368.5
PF20- 6-13W	PF20- 6-13D	200	60	135	M3-8 x 4 pcs	302.5
PF20- 6-20W	PF20- 6-20D	200	60	200	M3-8 x 4 pcs	417
PF24- 4-17W	PF24- 4-17D	240	42.5	165	M3-8 x 4 pcs	370.4
PF24- 4-24W	PF24- 4-24D	240	42.5	240	M3-8 x 4 pcs	521.4
PF24- 6-17W	PF24- 6-17D	240	60	165	M3-8 x 4 pcs	408.8
PF24- 6-24W	PF24- 6-24D	240	60	240	M3-8 x 4 pcs	568.7
NEW PF28- 5-20W	NEW PF28- 5-20D	280	45	200	M3-8 x 4 pcs	564.1
NEW PF28- 7-20W	NEW PF28- 7-20D	280	65	200	M3-8 x 4 pcs	618.4
NEW PF28- 9-20W	NEW PF28- 9-20D	280	90	200	M3-8 x 4 pcs	709.2
NEW PF32- 5-23W	NEW PF32- 5-23D	320	45	225	M3-8 x 4 pcs	697.1
NEW PF32- 7-23W	NEW PF32- 7-23D	320	70	225	M3-8 x 4 pcs	782.1
NEW PF32-10-23W	NEW PF32-10-23D	320	100	225	M3-8 x 4 pcs	899.8

PF Maße

PF Dimensions



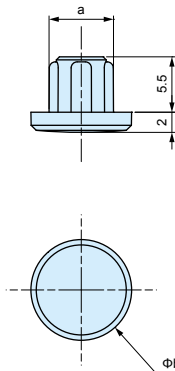
Best-Nr. - Product no.	W	H	D	a	b	c
PF10- 2- 7□	100	22.5	67	92	58	17
PF10- 2-10□	100	22.5	100	92	91	17
PF10- 4- 7□	100	35	67	91	57	29.5
PF10- 4- 1□	100	35	100	91	90	29.5
PF13- 3- 9□	125	25	85	117	76	19.5
PF13- 3-13□	125	25	125	117	116	19.5
PF13- 4- 9□	125	40	85	116	75	34.5
PF13- 4-13□	125	40	125	116	115	34.5
PF15- 3-10□	150	30	100	142	90	24
PF15- 3-15□	150	30	150	142	140	24
PF15- 5-10□	150	45	100	141	89	39
PF15- 5-15□	150	45	150	141	139	39
PF18- 4-12□	175	35	120	166	110	29
PF18- 4-18□	175	35	175	166	165	29
PF18- 5-12□	175	50	120	165	109	44
PF18- 5-18□	175	50	175	165	164	44
PF20- 4-13□	200	40	135	191.5	124.5	34
PF20- 4-20□	200	40	200	191.5	189.5	34
PF20- 6-13□	200	60	135	190	123	54
PF20- 6-20□	200	60	200	190	188	54
PF24- 4-17□	240	42.5	165	230	154	36.5
PF24- 4-24□	240	42.5	240	230	229	36.5
PF24- 6-17□	240	60	165	229	153	54
PF24- 6-24□	240	60	240	229	228	54
PF28- 5-20□	280	45	200	269.5	189	38.5
PF28- 7-20□	280	65	200	268.5	187.5	58.5
PF28- 9-20□	280	90	200	266.5	185.5	83.5
PF32 -5-23□	320	45	225	309.5	214	38.5
PF32 -7-23□	320	70	225	308	212	63.5
PF32-10-23□	320	100	225	306	210	93.5



Best-Nr. - Product no.	W	H	D	a	b	c
PF10-2-15□	100	22.5	150	92	141	17
PF10-4-15□	100	35	150	91	140	29.5
PF10-6-15□	100	55	150	90	139	49.5
PF13-3-19□	125	25	190	117	181	19.5
PF13-4-19□	125	40	190	116	180	34.5
PF13-6-19□	125	60	190	115	179	54.5

PFRF GummifüÙe

PFRF Rubber Feet



- GummifüÙe für Serie PF.
- Montage in Schraubenlöchern auf der Unterseite.
- Material ist resistent gegenüber Abfärbungen.

- Rubber feet for PF series.
- Inserted into the screw holes on the underside of box.
- Elastomer material is resistant against color migration.

Best-Nr. / Maße - Product no. / Dimensions

Best-Nr. - Product no.	MaÙe - Dimensions		Für Gehäuse Suitable box	Material	Farbe Color	VPE Pack of
	a	b				
PFRF-M2.5D	6.4	10	PF10-2-7,10-2-10,10-2-15,10-4-7,10-4-10,10-4-15 PF10-6-15,13-3-9,13-3-13,13-3-19,13-4-9,13-4-13 PF13-4-19,13-6-19,15-3-10,15-3-15,15-5-10,15-5-15 PF18-4-12,18-4-18,18-5-12,18-5-18	Elastomer	dunkelgrau Dark gray	4
PFRF-M3D	7.2	11	PF20-4-13,20-4-20,20-6-13,20-6-20,24-4-17 PF24-4-24,24-6-17,24-6-24,28-5-20,28-7-20 PF28-9-20,32-5-23,32-7-23,32-10-23	Elastomer	dunkelgrau Dark gray	4

Serie TLW - Aufstellfuß

TLW Series - TILT LEG



ANWENDUNGSBEISPIEL - APPLICATION EXAMPLE

- Neuer Aufstellfuß mit auffälligen Farben und abgerundeten Design.
- Rutschfeste Konstruktion durch Elastomer (TPE) Auflage.
- Verfügbar in 3 verschiedenen Farbvarianten.
- New tilt leg with eye catching colors and rounded design.
- Non-slip design with Elastomer (TPE) pad.
- Available in 3 different color patterns.

Technische Daten
Maximale Tragkraft : 7kg
Technical Data
Max load : 7kg

Einzelteile

Nr.	Bezeichnung	Stück	Material	Farbe / Oberfläche
1	vorderer Fuß	2	PC + ABS UL94V-0	Schwarz : Schwarz • Navy : Grau • Lichtgrau : Grau
2	hinterer Fuß	2	PC + ABS UL94V-0	Schwarz : Schwarz • Navy : Grau • Lichtgrau : Grau
-	Schraube	4	Stahl M3-6	Schwarz verchromt

- Aufnahme für M3-6 Schrauben vorhanden

Components

No.	Part name	Pcs	Material	Color / Finish
1	Front foot	2	PC + ABS UL94V-0	Black : Black • Navy : Gray • Light gray : Gray
2	Rear foot	2	PC + ABS UL94V-0	Black : Black • Navy : Gray • Light gray : Gray
-	Screw	4	Steel M3-6	Black trivalent chromate

- Nuts for M3-6 screws included

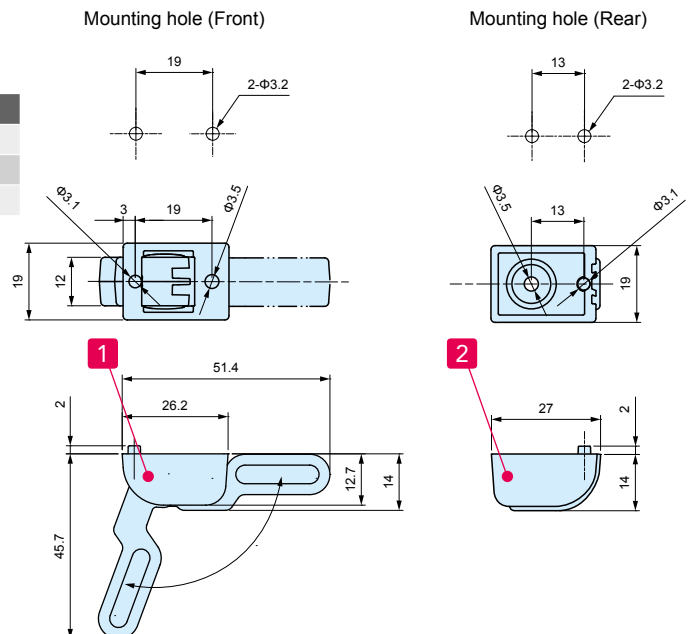
Best.-Nr. - Product no.

Best.-Nr. - Product no.	Farbe - Color (plastic)	Farbe - Color (TPE)
TLW-46BB	Schwarz - Black	Schwarz - Black
TLW-46NG	Navy	Grau - Gray
TLW-46LG	Lichtgrau - Light gray	Grau - Gray

- Aufstellfuß für unterschiedliche Anwendungen geeignet.
- TLW tilt leg can be used in various applications.



ANWENDUNGSBEISPIEL - APPLICATION EXAMPLE



Serie PFE EMV geschirmtes Kunststoffgehäuse

Series PFE EMC Shielded Plastic Box



Technische Daten
Schutzklasse: IP40 Temperaturbereich: -10°C ~ +60°C

Technical Data
Protection class: IP40 Operating temperature: -10°C ~ +60°C

Schrauben inklusive
PFE20-4-13 : M3-8 x 4 Stück
PFE : M2.5-8 x 4 Stück

Included screws
PFE20-4-13 model : M3-8 x 4 pcs
PFE other models : M2.5-8 x 4 pcs

- Serie PFE ist eine EMV abgeschirmte Version des Netzkunststoffgehäuses, Serie PF. Innenseitig beschichtet mit DOTITE leitfähiger Farbe (mit leitfähigen Nickelpartikeln).
- Flaches Designgehäuse mit herausnehmbaren Deckelplatten.
- Schwerentflammables ABS UL94V-0.
- Mit integrierten Befestigungsdomen zur Leiterplattenmontage.
- Geeignet für Wi-Fi access point, wireless LAN, HUB oder Controller-Anwendungen.
- PFE series is an EMC shielded version of the PF series network plastic box coated internally with DOTITE conductive paint (acrylic paint mixed with nickel filler).
- Flat designed plastic case with detachable panels.
- Made of flame-resistant ABS UL94V-0.
- Equipped with built-in bosses for PCB mounting.
- Suitable for Wi-Fi access point, measuring equipment, controller or various other applications for desktop, wall mounting use and so on.

Einzelteile

Nr.	Best-Nr.	Stück	Material	Farbe / Oberfläche	Leitfähige Farbe
1	Oberschale	1	ABS UL94V-0	weiß	DOTITE
2	Unterschale	1	ABS UL94V-0	weiß	DOTITE
3	Deckelplatten	2	ABS UL94V-0	weiß	DOTITE
4	Schraube	4	Stahl	vernickelt	—
5	Gummifüße	4	Elastomer	dunkelgrau	—

Components

No.	Part name	Pcs	Material	Color / Finish	Conductive paint
1	Top cover	1	ABS UL94V-0	Off-white	DOTITE
2	Bottom base	1	ABS UL94V-0	Off-white	DOTITE
3	Panel	2	ABS UL94V-0	Off-white	DOTITE
4	Self-tapping screw	4	Steel	Nickel plated	—
5	Rubber feet	4	Elastomer	Dark gray	—

PFE Zubehör (optional erhältlich)

(Optional parts) PFE Accessories



Abstandsbolzen
Tapping standoff TPS series



PCB Montageschraube
PCB mounting screw EM series



TORX Schraube
TORX screw MR series



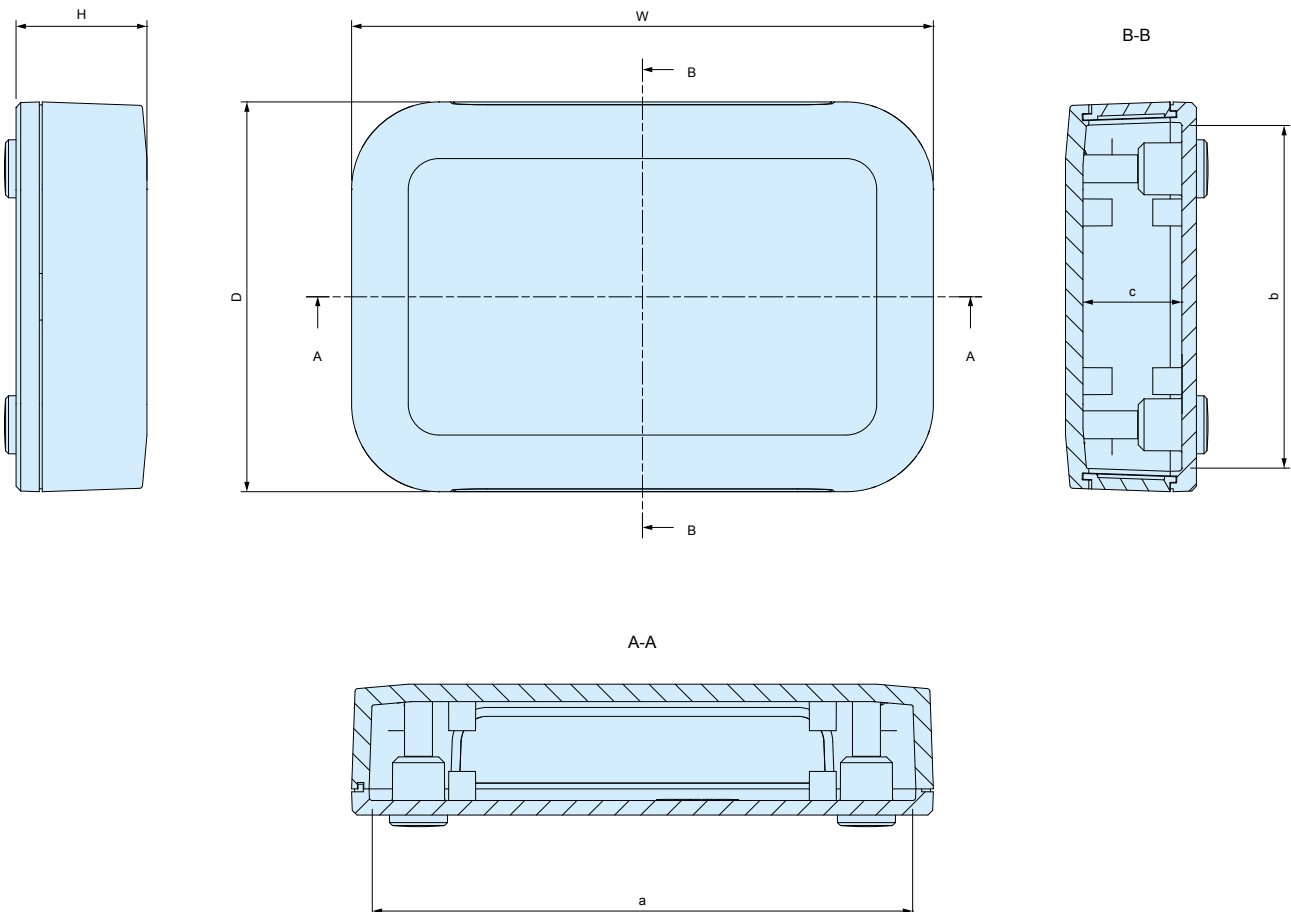
Wandaufhängung
Suspension bracket WM series



Aufstellfuß
Tilt leg TLW series

PFE Maße

PFE Dimensions



Product no. / Dimensions

Best-Nr. Product no.	Maße - Dimensions						Schraube Screw	Gewicht (g) Weight (g)
	W	H	D	a	b	c		
NEW PFE13-4- 9W	125	40	85	116	75	34.5	M2.5-8 x 4 pcs	114
NEW PFE15-3-10W	150	30	100	142	90	24	M2.5-8 x 4 pcs	152
NEW PFE15-5-15W	150	45	150	141	139	39	M2.5-8 x 4 pcs	244.5
NEW PFE20-4-13W	200	40	135	191.5	124.5	34	M3-8 x 4 pcs	274.5



Serie PFF
PFF Series



Netzwerk Kunststoffgehäuse zur Wandbefestigung
Flanged Network Plastic Box

Technische Daten

Schutzklasse: IP40
Temperaturbereich: -10°C ~ +60°C

Technical Data

Protection class: IP40
Operating temperature: -10°C ~ +60°C



- Neues PF Kunststoffgehäuse mit Befestigungsflansch zur Wandmontage.
- Aus schwer entflammbarem Material ABS UL94V-0.
- 30 verschiedene Größen erhältlich.
- Mit integrierten Befestigungsdomen zur Leiterplattenmontage.
- Geeignet für Wi-Fi access point, wireless LAN, HUB oder Controller Anwendungen.
- New PF plastic case with wall mounting flange bottom design.
- Made of flame-resistant ABS UL94V-0 and available in off-white color.
- 30 different sizes available for selection.
- Equipped with built-in bosses for PCB mounting.
- Suitable for Wi-Fi access point, wireless LAN, HUB, controller or other applications.

Komponenten - Components

Nr. No.	Bezeichnung Part name	Stück Pcs	Material	Farbe / Oberfläche Color / Finish
1	Oberschale - Top cover	1	ABS UL94V-0	weiß - Off-white
2	Unterschale mit Befestigungsflansch - Flanged base	1	ABS UL94V-0	weiß - Off-white
3	Frontplatten - Panel	2	ABS UL94V-0	weiß - Off-white
4	Schraube - Self-tapping screw	4	Stahl - Steel	vernickelt - Nickel plated

Zubehör (optional erhältlich)

(optional parts) Accessories



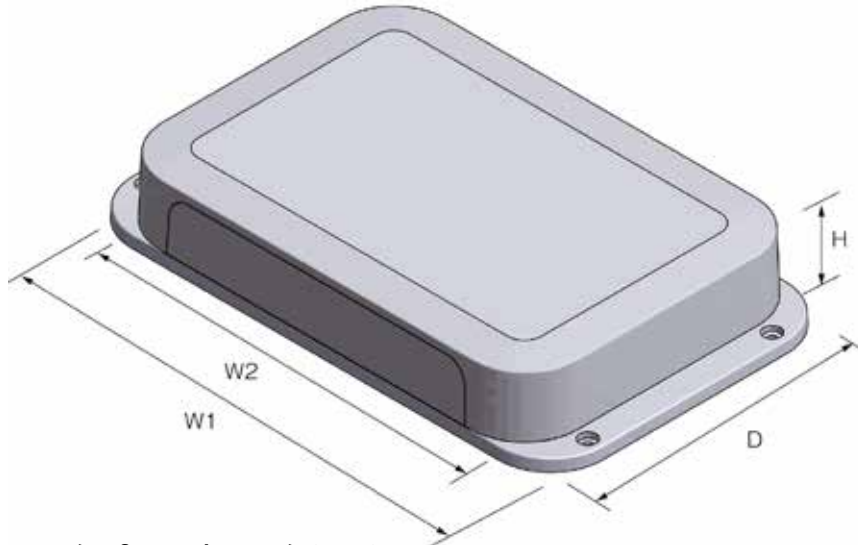
PCB Montageschraube
PCB mounting screw
Serie EM - EM series



TORX Schraube
TORX screw
Serie MR - MR series



Abstandsbolzen
Tapping standoff
Serie TPS - TPS series

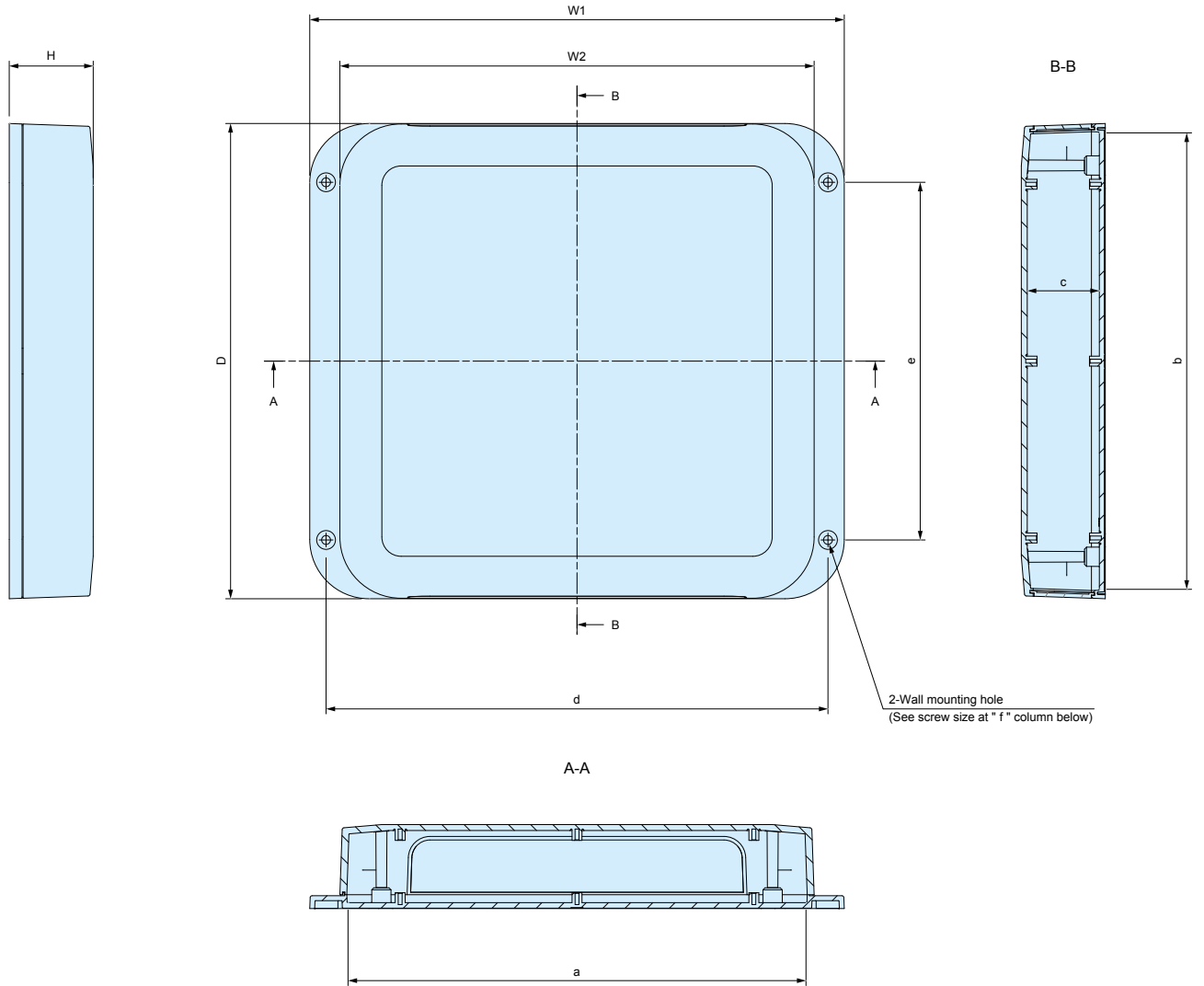


Bestellnummer / Maße - Product no. / Dimensions

Best-Nr. - Product no.	Maße - Dimensions				Schraube Screw	Gewicht (g) Weight (g)
	W1	W2	H	D		
● weiß - Off-white						
PFF10- 2- 7W	124.3	100	22.5	67.3	M2.5-8 x 4 pcs	60.8
PFF10- 2-10W	124.3	100	22.5	100.3	M2.5-8 x 4 pcs	84.6
PFF10- 4- 7W	124.3	100	35	67.3	M2.5-8 x 4 pcs	72
PFF10- 4-10W	124.3	100	35	100.3	M2.5-8 x 4 pcs	99.1
PFF13- 3- 9W	149.3	125	25	85.3	M2.5-8 x 4 pcs	90.8
PFF13- 3-13W	155.3	125	25	125.3	M2.5-8 x 4 pcs	128.6
PFF13- 4- 9W	149.3	125	40	85.3	M2.5-8 x 4 pcs	108.4
PFF13- 4-13W	155.3	125	40	125.3	M2.5-8 x 4 pcs	152.3
PFF15- 3-10W	180.4	150	30	100.4	M2.5-8 x 4 pcs	145.2
PFF15- 3-15W	180.4	150	30	150.4	M2.5-8 x 4 pcs	211.3
PFF15- 5-10W	180.4	150	45	100.4	M2.5-8 x 4 pcs	168.6
PFF15- 5-15W	180.4	150	45	150.4	M2.5-8 x 4 pcs	235
PFF18- 4-12W	205.4	175	35	120.4	M2.5-8 x 4 pcs	192.1
PFF18- 4-18W	205.4	175	35	175.4	M2.5-8 x 4 pcs	209.8
PFF18- 5-12W	205.4	175	50	120.4	M2.5-8 x 4 pcs	215.8
PFF18- 5-18W	205.4	175	50	175.4	M2.5-8 x 4 pcs	299.7
PFF20- 4-13W	230.5	200	40	135.5	M3-8 x 4 pcs	267.7
PFF20- 4-20W	230.5	200	40	200.5	M3-8 x 4 pcs	376
PFF20- 6-13W	230.5	200	60	135.5	M3-8 x 4 pcs	309.7
PFF20- 6-20W	230.5	200	60	200.5	M3-8 x 4 pcs	422.9
PFF24- 4-17W	270.5	240	42.5	165.5	M3-8 x 4 pcs	366.9
PFF24- 4-24W	270.5	240	42.5	240.5	M3-8 x 4 pcs	513.5
PFF24- 6-17W	270.5	240	60	165.5	M3-8 x 4 pcs	403.8
PFF24- 6-24W	270.5	240	60	240.5	M3-8 x 4 pcs	560.8
NEW PFF28- 5-20W	310.5	280	45	200.5	M3-8 x 4 pcs	547.5
NEW PFF28- 7-20W	310.5	280	65	200.5	M3-8 x 4 pcs	606.6
NEW PFF28- 9-20W	310.5	280	90	200.5	M3-8 x 4 pcs	694.1
NEW PFF32- 5-23W	350.5	320	45	225.5	M3-8 x 4 pcs	679.9
NEW PFF32- 7-23W	350.5	320	70	225.5	M3-8 x 4 pcs	767.4
NEW PFF32-10-23W	350.5	320	100	225.5	M3-8 x 4 pcs	887.4

PFF Maße

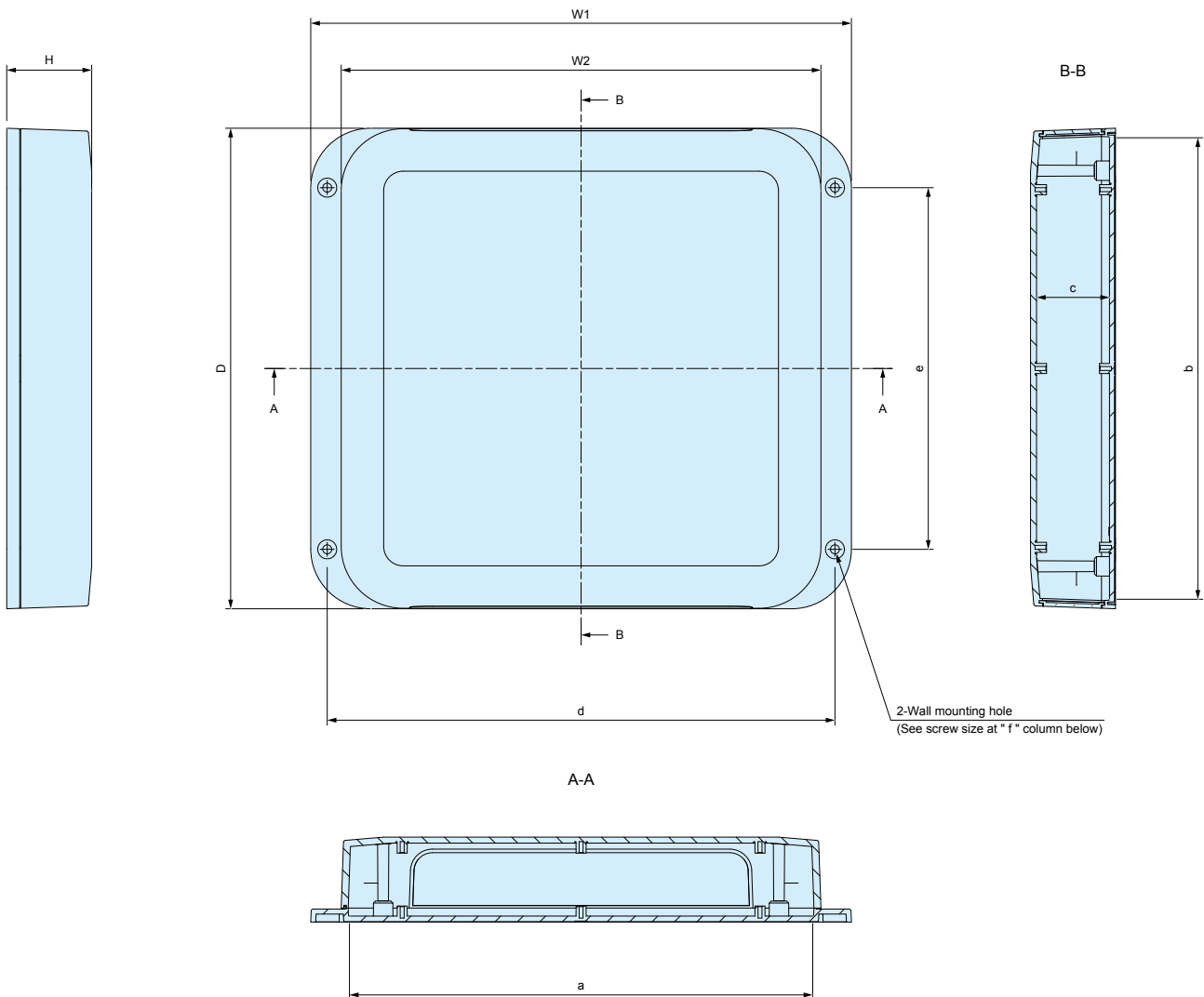
PFF Dimensions



Best-Nr. - Product no.	W1	W2	H	D	a	b	c	d	f
PFF10-2- 7W	124.3	100	22.5	67.3	92	58	17	111	M3
PFF10-2-10W	124.3	100	22.5	100.3	92	91	17	111	M3
PFF10-4- 7W	124.3	100	35	67.3	91	57	29.5	111	M3
PFF10-4-10W	124.3	100	35	100.3	91	90	29.5	111	M3
PFF13-3- 9W	149.3	125	25	85.3	117	76	19.5	136	M3
PFF13-3-13W	155.3	125	25	125.3	117	116	19.5	138.9	M4
PFF13-4- 9W	149.3	125	40	85.3	116	75	34.5	136	M3
PFF13-4-13W	155.3	125	40	125.3	116	115	34.5	138.9	M4
PFF15-3-10W	180.4	150	30	100.4	142	90	24	164	M4
PFF15-3-15W	180.4	150	30	150.4	142	140	24	164	M4
PFF15-5-10W	180.4	150	45	100.4	141	89	39	164	M4
PFF15-5-15W	180.4	150	45	150.4	141	139	39	164	M4
PFF18-4-12W	205.4	175	35	120.4	166	110	29	189	M4
PFF18-5-12W	205.4	175	50	120.4	165	109	44	189	M4
PFF20-4-13W	230.5	200	40	135.5	191.5	124.5	34	214	M4
PFF20-6-13W	230.5	200	60	135.5	190	123	54	214	M4

PFF Maße

PFF Dimensions



Best-Nr. - Product no.	W1	W2	H	D	a	b	c	d	e	f
PFF18- 4-18W	205.4	175	35	175.4	166	165	29	189	130	M4
PFF18- 5-18W	205.4	175	50	175.4	165	164	44	189	130	M4
PFF20- 4-20W	230.5	200	40	200.5	191.5	189.5	34	214	145	M4
PFF20- 6-20W	230.5	200	60	200.5	190	188	54	214	145	M4
PFF24- 4-17W	270.5	240	42.5	165.5	230	154	36.5	254	106	M4
PFF24- 6-17W	270.5	240	60	165.5	229	153	54	254	106	M4
PFF24- 4-24W	270.5	240	42.5	240.5	230	229	36.5	254	181	M4
PFF24- 6-24W	270.5	240	60	240.5	229	228	54	254	181	M4
PFF28- 5-20W	310.5	280	45	200.5	269.5	189	38.5	293.5	137	M4
PFF28- 7-20W	310.5	280	65	200.5	268.5	187.5	58.5	293.5	137	M4
PFF28- 9-20W	310.5	280	90	200.5	266.5	185.5	83.5	293.5	137	M4
PFF32- 5-23W	350.5	320	45	225.5	309.5	214	38.5	333.5	152	M4
PFF32- 7-23W	350.5	320	70	225.5	308	212	63.5	333.5	152	M4
PFF32-10-23W	350.5	320	100	225.5	306	210	93.5	333.5	152	M4

Serie WM Aufhängung für Gehäuse

Series WM Suspension bracket

Befestigung - How to install



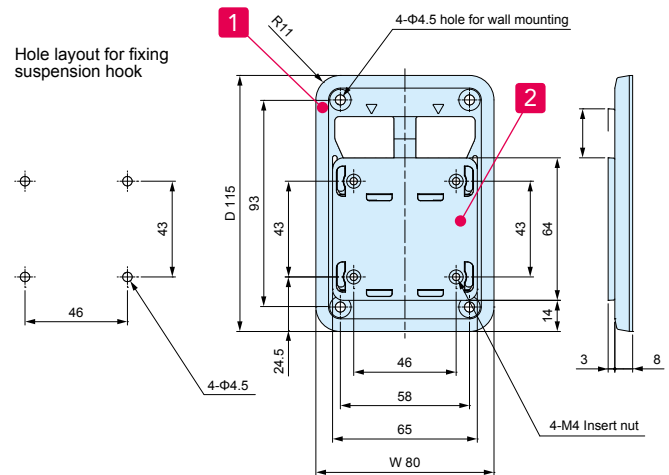
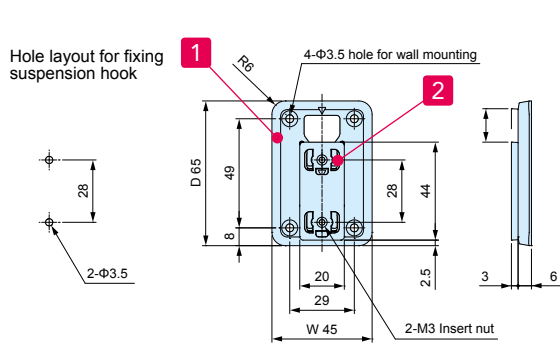
- Kunststoffhalterung für Gehäuse, einfache Montage.
 - Zwei verschiedene Größen erhältlich.
 - Geeignet für alle Kunststoffgehäuse mit einer Wanddicke von 0.8 ~ 3.5mm (nicht nur Serie PF).
 - Für die Montage der Halterung sind Löcher im Gehäuse erforderlich.
 - Maximale statische Tragfähigkeit, siehe Tabelle rechts.
 - Bitte beachten Sie die Montageausrichtung bei der Installation der Kunststoffhalterung.
- Plastic wall mounting bracket. Easy attachment and removal.
 - Large and small brackets are available.
 - Applicable not only for the PF series, also for other enclosures with a panel thickness of 0.8 ~ 3.5mm.
 - To attach the suspension hook onto the enclosure, hole milling is required.
 - The max load values listed are static load values only. Use caution when handling.
 - Please be aware of the insertion direction of the suspension hook against the mounting base when attaching.

Technische Daten	
max. Gewicht :	2 kg - WM-1
	5 kg - WM-2

Technical Data	
Max load :	2 kg - WM-1
	5 kg - WM-2

WM-1

WM-2



Einzelteile - Components

No.	Bezeichnung - Part name	Stück - Pcs	Material	Farbe / Oberfläche - Color / Finish
1	Aufhängung Basis - Mounting base	1	PC + ABS UL94HB	Weiß • Dunkelgrau - Off-white • Dark gray
2	Aufhängung Gehäuse - Suspension hook	1	PC + ABS UL94HB	Weiß • Dunkelgrau - Off-white • Dark gray
-	Gewindemutter - Insert nut	2 / 4	Messing - Brass	Unbehandelt - Unfinished
-	Schraube - Screw	2	M3-8 Steel binding = WM-1	Vernickelt - Nickel plated
-	Schraube - Screw	4	M4-8 Steel binding = WM-2	Vernickelt - Nickel plated

Best.-Nr. / Maße - Product no. / Dimensions

Best.-Nr. - Product no.		Maße - Dimensions		Gehäusedicke Mountable thickness	Gewicht (g) Weight (g)
● Off-white	● Dark gray	W	D		
WM-1W	WM-1D	45	65	t0.8 ~ t3.5	11.5
WM-2W	WM-2D	80	115	t0.8 ~ t3.5	48