



**Serie EXP**  
Aluminiumgehäuse mit Schutzecken



**EXP Series**  
Aluminium panel case with corner guard

- Die Schutzecken haben ein schönes Design und dienen als Fallschutz.
- Verfügbar in 67 verschiedenen Standardgrößen und Farbkombinationen.
- Sondergrößen realisierbar.
- Corner guards are designed to be both aesthetically pleasing, and impact resistant.
- Available in 67 different sizes and 16 different color combinations.
- Custom length is available.

**Best-Nr. / Maße**

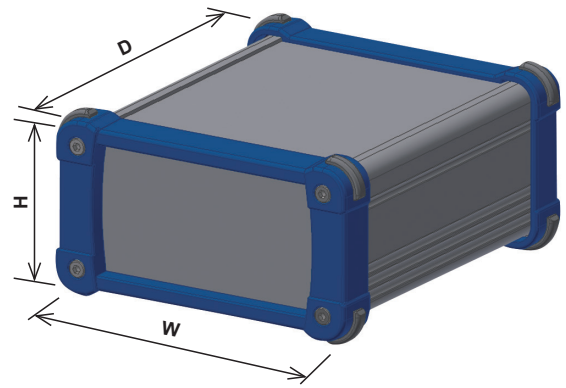
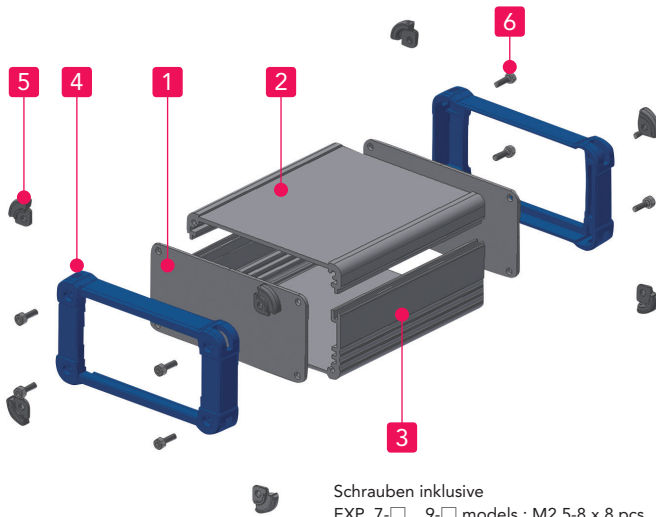
Nr.	Best-Nr.	Stück	Material	Farbe / Oberfläche
1	Frontplatten	2	Aluminium A1100 t=1.5	silber • schwarz / eloxiert
2	Oberschale	1	Aluminiumprofil A6063S-T5	silber • schwarz / eloxiert
3	Unterschale	1	Aluminiumprofil A6063S-T5	silber • schwarz / eloxiert
4	Rahmen	2	Polycarbonat-ABS UL94V-0	schwarz • grau / unlackiert indigo • navy • limette • gelb • orange • rot / lackiert
5	Schutzecke	8	Silikon	schwarz • dunkelgrau
6	Schraube	8	Edelstahl	unbehandelt

**Product no. / Dimensions**

No.	Product no.	Pcs	Material	Color / Finish
1	Panel	2	Aluminium A1100 t=1.5	Silver • Black / Anodized
2	Top cover	1	Extruded aluminium A6063S-T5	Silver • Black / Anodized
3	Bottom cover	1	Extruded aluminium A6063S-T5	Silver • Black / Anodized
4	Exterior frame	2	Polycarbonate-ABS UL94V-0	Black • Gray / Unpainted Indigo • Navy • Lime • Yellow • Orange • Red / Painted
5	Corner guard	8	Silicone	Black • Dark gray
6	Screw	8	Stainless steel	Unfinished

**Farbvarianten - Color Types**

<b>Farbcode Color code</b>	S B silber / schwarz S B Silver / Black	S G silber / grau S G Silver / Gray	S I silber / indigo S I Silver / Indigo	S N silber / navy S N Silver / Navy
<b>Farbe Color</b>				
<b>Farbcode Color code</b>	S L silber / limette S L Silver / Lime	S Y silber / gelb S Y Silver / Yellow	S O silber / orange S O Silver / Orange	S R silber / rot S R Silver / Red
<b>Farbe Color</b>				
<b>Farbcode Color code</b>	B B schwarz / schwarz B B Black / Black	B G schwarz / grau B G Black / Gray	B I schwarz / indigo B I Black / Indigo	B N schwarz / navy B N Black / Navy
<b>Farbe Color</b>				
<b>Farbcode Color code</b>	B L schwarz / limette B L Black / Lime	B Y schwarz / gelb B Y Black / Yellow	B O schwarz / orange B O Black / Orange	B R schwarz / rot B R Black / Red
<b>Farbe Color</b>				



Schrauben inklusive  
 EXP 7-□, 9-□ models : M2.5-8 x 8 pcs  
 EXP12-□, 15-□ models : M3-10 x 8 pcs  
 EXP20-□ models : M4-12 x 8 pcs  
 EXP24-□ models : M5-12 x 8 pcs  
 ※Sechskantschlüssel inbegriffen.

Included screws  
 EXP 7-□, 9-□ models : M2.5-8 x 8 pcs  
 EXP12-□, 15-□ models : M3-10 x 8 pcs  
 EXP20-□ models : M4-12 x 8 pcs  
 EXP24-□ models : M5-12 x 8 pcs  
 ※Hexagonal wrench included.

■ Bitte vervollständigen Sie die Bestellnummer mit dem Farbcode am Ende.  
 ■ Please suffix color code at the end of the product number.

**Best-Nr. / Maße - Product no. / Dimensions**

Best-Nr. Product no.	Maße - Dimensions (External)			Maße - Dimensions (Internal)		
	W	H	D	a	b	c
EXP 7- 3- 6□□	69	34	60	47	19.6	46
EXP 7- 3- 9□□	69	34	87	47	19.6	73
EXP 7- 3-11□□	69	34	110	47	19.6	96
EXP 7- 4- 6□□	69	44	60	47	29.6	46
EXP 7- 4- 9□□	69	44	87	47	29.6	73
EXP 7- 4-11□□	69	44	110	47	29.6	96
EXP 7- 6- 6□□	69	59	60	47	44.6	46
EXP 7- 6- 9□□	69	59	87	47	44.6	73
EXP 7- 6-11□□	69	59	110	47	44.6	96
EXP 9- 4- 7□□	89	39	70	67	24.6	56
EXP 9- 4-10□□	89	39	100	67	24.6	86
EXP 9- 4-13□□	89	39	130	67	24.6	116
EXP 9- 5- 7□□	89	49	70	67	34.6	56
EXP 9- 5-10□□	89	49	100	67	34.6	86
EXP 9- 5-13□□	89	49	130	67	34.6	116
EXP 9- 6- 7□□	89	64	70	67	49.6	56
EXP 9- 6-10□□	89	64	100	67	49.6	86
EXP 9- 6-13□□	89	64	130	67	49.6	116
EXP12- 4- 9□□	116	41	90	89	24	74
EXP12- 4-13□□	116	41	130	89	24	114
EXP12- 4-18□□	116	41	176	89	24	160
EXP12- 6- 9□□	116	56	90	89	39	74
EXP12- 6-13□□	116	56	130	89	39	114
EXP12- 6-18□□	116	56	176	89	39	160
EXP12- 7- 9□□	116	71	90	89	54	74
EXP12- 7-13□□	116	71	130	89	54	114
EXP12- 7-18□□	116	71	176	89	54	160
EXP15- 5-11□□	151	46	110	107.4	29	93
EXP15- 5-15□□	151	46	150	107.4	29	133
EXP15- 5-20□□	151	46	200	107.4	29	183
EXP15- 6-11□□	151	61	110	107.4	44	93
EXP15- 6-15□□	151	61	150	107.4	44	133
EXP15- 6-20□□	151	61	200	107.4	44	183
EXP15- 8-11□□	151	81	110	107.4	64	93
EXP15- 8-15□□	151	81	150	107.4	64	133
EXP15- 8-20□□	151	81	200	107.4	64	183
EXP15-10-11□□	151	101	110	107.4	84	93
EXP15-10-15□□	151	101	150	107.4	84	133
EXP15-10-20□□	151	101	200	107.4	84	183

Best-Nr. Product no.	Maße - Dimensions (External)			Maße - Dimensions (Internal)		
	W	H	D	a	b	c
<b>NEW</b> EXP20- 6-14□□	199	56	140	132	35	120
<b>NEW</b> EXP20- 6-19□□	199	56	192	132	35	172
<b>NEW</b> EXP20- 6-25□□	199	56	245	132	35	225
<b>NEW</b> EXP20- 6-30□□	199	56	300	132	35	280
<b>NEW</b> EXP20- 7-14□□	199	74	140	132	53	120
<b>NEW</b> EXP20- 7-19□□	199	74	192	132	53	172
<b>NEW</b> EXP20- 7-25□□	199	74	245	132	53	225
<b>NEW</b> EXP20- 7-30□□	199	74	300	132	53	280
<b>NEW</b> EXP20- 9-14□□	199	94	140	132	73	120
<b>NEW</b> EXP20- 9-19□□	199	94	192	132	73	172
<b>NEW</b> EXP20- 9-25□□	199	94	245	132	73	225
<b>NEW</b> EXP20- 9-30□□	199	94	300	132	73	280
<b>NEW</b> EXP20-12-14□□	199	119	140	132	98	120
<b>NEW</b> EXP20-12-19□□	199	119	192	132	98	172
<b>NEW</b> EXP20-12-25□□	199	119	245	132	98	225
<b>NEW</b> EXP20-12-30□□	199	119	300	132	98	280
<b>NEW</b> EXP24- 6-17□□	244	64	170	177	43	147
<b>NEW</b> EXP24- 6-23□□	244	64	230	177	43	207
<b>NEW</b> EXP24- 6-29□□	244	64	290	177	43	267
<b>NEW</b> EXP24- 6-35□□	244	64	350	177	43	327
<b>NEW</b> EXP24- 9-17□□	244	89	170	177	68	147
<b>NEW</b> EXP24- 9-23□□	244	89	230	177	68	207
<b>NEW</b> EXP24- 9-29□□	244	89	290	177	68	267
<b>NEW</b> EXP24- 9-35□□	244	89	350	177	68	327
<b>NEW</b> EXP24-11-17□□	244	114	170	177	93	147
<b>NEW</b> EXP24-11-23□□	244	114	230	177	93	207
<b>NEW</b> EXP24-11-29□□	244	114	290	177	93	267
<b>NEW</b> EXP24-11-35□□	244	114	350	177	93	327

**Zubehör (optional erhältlich)  
 Accessories (optional parts)**



Aufstellfuß - Tilt leg TLW series



<b>Technische Daten</b>	<b>Technical Data</b>
Schutzklasse: IP40	Protection class: IP40

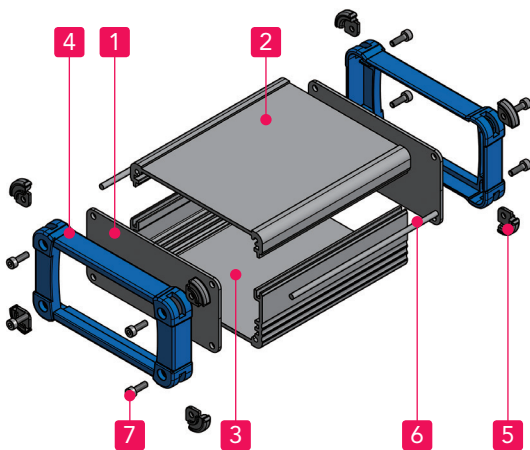


## Serie EXPE

EMV-geschütztes Aluminiumgehäuse mit Schutzecken

## EXPE Series

Aluminium EMC shield case with corner guard



- EMV – Schutz wird erreicht durch unbehandelte, leitfähige Oberflächen auf der Innenseite der Profile und leitfähige Dichtungen.
- Die Schutzecken haben ein schönes Design und dienen als Fallschutz.
- Verfügbar in 67 verschiedenen Standardgrößen und 8 unterschiedlichen Farbkombinationen.
- EMC shielding is achieved by having the unfinished inner sides of the top/ bottom covers and fabric-over-foam gaskets in contact with one another.
- Corner guards are designed to be both aesthetically pleasing, and strong against impact.
- Available in 67 different sizes and 8 different color combinations.

Schrauben inklusive  
 EXPE 7-□, 9-□ models : M2.5-8 x 8 pcs  
 EXPE12-□, 15-□ models : M3-10 x 8 pcs  
 EXPE20-□ models : M4-12 x 8 pcs  
 EXPE24-□ models : M5-12 x 8 pcs  
 ※Sechskantschlüssel inbegriffen.

Included screws  
 EXPE 7-□, 9-□ models : M2.5-8 x 8 pcs  
 EXPE12-□, 15-□ models : M3-10 x 8 pcs  
 EXPE20-□ models : M4-12 x 8 pcs  
 EXPE24-□ models : M5-12 x 8 pcs  
 ※Hexagonal wrench included.

### Komponenten

Nr.	Bezeichnung	Stück	Material	Farbe / Oberfläche
1	Frontplatten	2	Aluminium A1100 t=1.5	silber (außen) : unbehandelt (innen)
2	Oberschale	1	Aluminiumprofil A6063S-T5	silber (außen) : unbehandelt (innen)
3	Unterschale	1	Aluminiumprofil A6063S-T5	silber (außen) : unbehandelt (innen)
4	Rahmen	2	Polycarbonat-ABS UL94V-0	schwarz • grau / unlackiert indigo • navy • limette • gelb • orange • rot / lackiert
5	Schutzecke	8	Silikon	schwarz • dunkelgrau
6	Leitfähige Schaumstoffdichtung	2	leitfähige TPE Dichtung	metallisch grau
7	Schraube	8	Edelstahl	unbehandelt

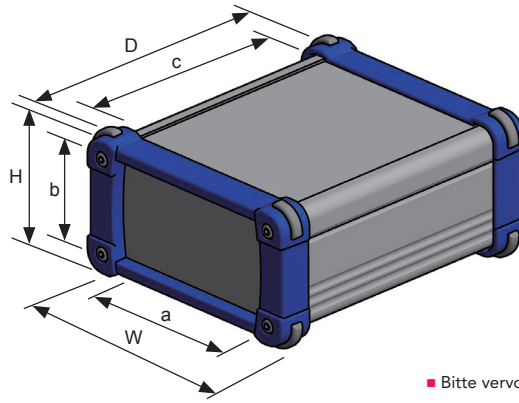
### Components

No.	Part name	Pcs	Material	Color / Finish
1	Panel	2	Aluminium A1100 t=1.5	Silver / Anodized (outside) : Unfinished (inside)
2	Top cover	1	Extruded aluminium A6063S-T5	Silver / Painted (outside) : Unfinished (inside)
3	Bottom cover	1	Extruded aluminium A6063S-T5	Silver / Painted (outside) : Unfinished (inside)
4	Exterior frame	2	Polycarbonate-ABS UL94V-0	Black • Gray / Unpainted Indigo • Navy • Lime • Yellow • Orange • Red / Painted
5	Corner guard	8	Silicone	Black • Dark gray
6	Fabric-over-foam gasket	2	Conductive fabric : TPE	Metallic gray
7	Screw	8	Stainless steel	Unfinished

### Farbvarianten Color Types

Schwarze und graue Rahmen sind ohne Farbzusatz; alle anderen Rahmen werden lackiert.  
 Black and gray exterior frames are unpainted; other colored exterior frames are painted.

Farbcode Color code	S B silber / schwarz S B Silver / Black	S G silber / grau S G Silver / Gray	S I silber / indigo S I Silver / Indigo	S N silber / navy S N Silver / Navy
Farbe Color				
Farbcode Color code	S L silber / limette S L Silver / Lime	S Y silber / gelb S Y Silver / Yellow	S O silber / orange S O Silver / Orange	S R silber / rot S R Silver / Red
Farbe Color				



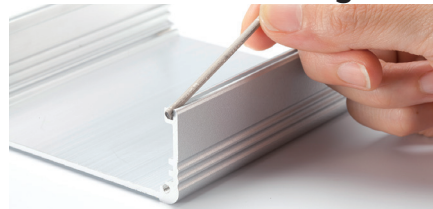
**Best-Nr. / Maße**  
**Product no. / Dimensions**

■ Bitte vervollständigen Sie die Bestellnummer mit dem Farbcode am Ende.  
■ Please suffix color code at the end of the product number.

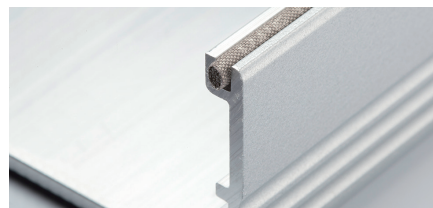
Best-Nr. Product no.	Maße - Dimensions (External)			Maße - Dimensions (Internal)		
	W	H	D	a	b	c
EXPE 7- 3- 6□□	69	34	60	47	19.6	46
EXPE 7- 3- 9□□	69	34	87	47	19.6	73
EXPE 7- 3-11□□	69	34	110	47	19.6	96
EXPE 7- 4- 6□□	69	44	60	47	29.6	46
EXPE 7- 4- 9□□	69	44	87	47	29.6	73
EXPE 7- 4-11□□	69	44	110	47	29.6	96
EXPE 7- 6- 6□□	69	59	60	47	44.6	46
EXPE 7- 6- 9□□	69	59	87	47	44.6	73
EXPE 7- 6-11□□	69	59	110	47	44.6	96
EXPE 9- 4- 7□□	89	39	70	67	24.6	56
EXPE 9- 4-10□□	89	39	100	67	24.6	86
EXPE 9- 4-13□□	89	39	130	67	24.6	116
EXPE 9- 5- 7□□	89	49	70	67	34.6	56
EXPE 9- 5-10□□	89	49	100	67	34.6	86
EXPE 9- 5-13□□	89	49	130	67	34.6	116
EXPE 9- 6- 7□□	89	64	70	67	49.6	56
EXPE 9- 6-10□□	89	64	100	67	49.6	86
EXPE 9- 6-13□□	89	64	130	67	49.6	116
EXPE12- 4- 9□□	116	41	90	89	24	74
EXPE12- 4-13□□	116	41	130	89	24	114
EXPE12- 4-18□□	116	41	176	89	24	160
EXPE12- 6- 9□□	116	56	90	89	39	74
EXPE12- 6-13□□	116	56	130	89	39	114
EXPE12- 6-18□□	116	56	176	89	39	160
EXPE12- 7- 9□□	116	71	90	89	54	74
EXPE12- 7-13□□	116	71	130	89	54	114
EXPE12- 7-18□□	116	71	176	89	54	160
EXPE15- 5-11□□	151	46	110	107.4	29	93
EXPE15- 5-15□□	151	46	150	107.4	29	133
EXPE15- 5-20□□	151	46	200	107.4	29	183
EXPE15- 6-11□□	151	61	110	107.4	44	93
EXPE15- 6-15□□	151	61	150	107.4	44	133
EXPE15- 6-20□□	151	61	200	107.4	44	183
EXPE15- 8-11□□	151	81	110	107.4	64	93
EXPE15- 8-15□□	151	81	150	107.4	64	133
EXPE15- 8-20□□	151	81	200	107.4	64	183
EXPE15-10-11□□	151	101	110	107.4	84	93
EXPE15-10-15□□	151	101	150	107.4	84	133
EXPE15-10-20□□	151	101	200	107.4	84	183

Best-Nr. Product no.	Maße - Dimensions (External)			Maße - Dimensions (Internal)		
	W	H	D	a	b	c
<b>NEW</b> EXPE20- 6-14□□	199	56	140	132	35	120
<b>NEW</b> EXPE20- 6-19□□	199	56	192	132	35	172
<b>NEW</b> EXPE20- 6-25□□	199	56	245	132	35	225
<b>NEW</b> EXPE20- 6-30□□	199	56	300	132	35	280
<b>NEW</b> EXPE20- 7-14□□	199	74	140	132	53	120
<b>NEW</b> EXPE20- 7-19□□	199	74	192	132	53	172
<b>NEW</b> EXPE20- 7-25□□	199	74	245	132	53	225
<b>NEW</b> EXPE20- 7-30□□	199	74	300	132	53	280
<b>NEW</b> EXPE20- 9-14□□	199	94	140	132	73	120
<b>NEW</b> EXPE20- 9-19□□	199	94	192	132	73	172
<b>NEW</b> EXPE20- 9-25□□	199	94	245	132	73	225
<b>NEW</b> EXPE20- 9-30□□	199	94	300	132	73	280
<b>NEW</b> EXPE20-12-14□□	199	119	140	132	98	120
<b>NEW</b> EXPE20-12-19□□	199	119	192	132	98	172
<b>NEW</b> EXPE20-12-25□□	199	119	245	132	98	225
<b>NEW</b> EXPE20-12-30□□	199	119	300	132	98	280
<b>NEW</b> EXPE24- 6-17□□	244	64	170	177	43	147
<b>NEW</b> EXPE24- 6-23□□	244	64	230	177	43	207
<b>NEW</b> EXPE24- 6-29□□	244	64	290	177	43	267
<b>NEW</b> EXPE24- 6-35□□	244	64	350	177	43	327
<b>NEW</b> EXPE24- 9-17□□	244	89	170	177	68	147
<b>NEW</b> EXPE24- 9-23□□	244	89	230	177	68	207
<b>NEW</b> EXPE24- 9-29□□	244	89	290	177	68	267
<b>NEW</b> EXPE24- 9-35□□	244	89	350	177	68	327
<b>NEW</b> EXPE24-11-17□□	244	114	170	177	93	147
<b>NEW</b> EXPE24-11-23□□	244	114	230	177	93	207
<b>NEW</b> EXPE24-11-29□□	244	114	290	177	93	267
<b>NEW</b> EXPE24-11-35□□	244	114	350	177	93	327

### Installation der EMV-Dichtung How to install a shield gasket



■ Legen Sie die Dichtung in die Nut der Profilerunterseite.  
■ Insert fabric-over-foam gasket into the joint-grooves on the bottom cover.



■ Beachten Sie bitte, dass auf beiden Seiten die Dichtung etwas übersteht, damit ein Kontakt zu den Frontplatten hergestellt werden kann.  
■ Ensure that a small portion of the fabric-over-foam gasket protrudes out in order to maintain a connection with the end panels.



Folgende Größen sind zur Aufnahme von Mini-ITX Board geeignet.

Following models are suitable for placement of a Mini-ITX board.

EXPE20-7-19□□

EXPE20-9-19□□

EXPE20-12-19□□



**Technische Daten**

Schutzklasse : IP65

Included screw

EXW7-□, 9-□ models : M2.5-8 x 8 pcs

EXW12-□, 15-□ models : M3-10 x 8 pcs

※Hexagonal wrench included.

**Technical Data**

Protection class : IP65

**Serie EXW IP65**  
Aluminium Gehäuse mit Schutzecken

**Series EXW IP65**  
Aluminium Case with Corner Guard

- Die Schutzklasse IP65 wird erreicht durch Dichtungen zwischen den Profilmuten und Frontplatten.
- Verfügbar in 39 verschiedenen Standardgrößen und 6 unterschiedlichen Farbkombinationen.
- Sonderlängen möglich.

- IP65 is made possible by the sealing of between top & bottom covers and end panels with gaskets.
- Available in 39 different sizes and 6 different color combinations by 2 body frame and 3 end panel colors.
- Custom length is available.

**Komponenten**

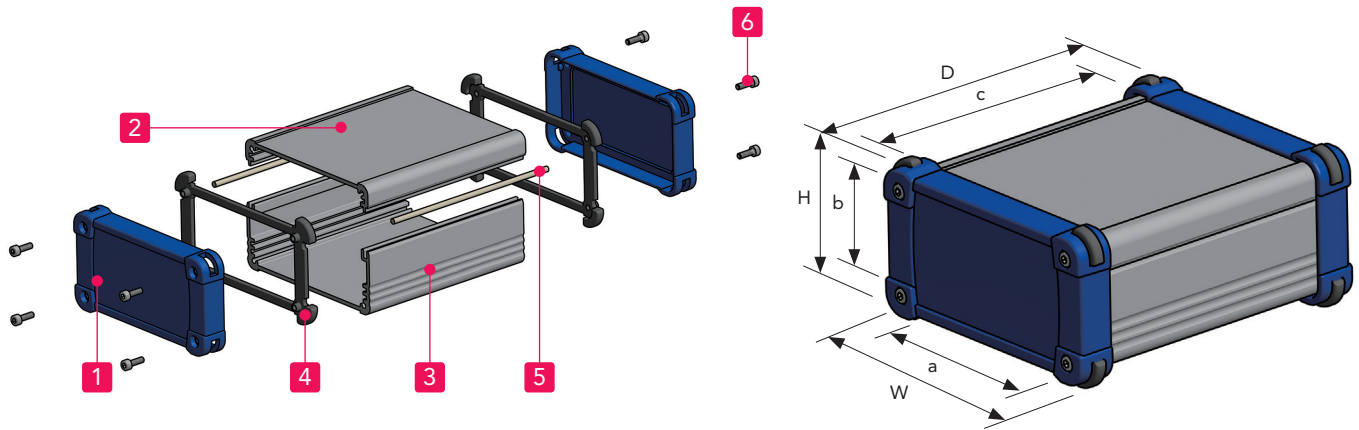
Nr.	Bezeichnung	Stück	Material	Farbe / Oberfläche
1	Frontplatten	2	PC+ABS UL94V-0	schwarz • grau / unlackiert navy / lackiert
2	Oberschale	1	Aluminiumprofil A6063S-T5	silber • schwarz / eloxiert
3	Unterschale	1	Aluminiumprofil A6063S-T5	silber • schwarz / eloxiert
4	Frontplattendichtung	2	Silikon	schwarz • dunkelgrau
5	Profildichtung	2	Silikon	hellgrau
6	Schraube	8	Edelstahl	unbehandelt

**Components**

No.	Part name	Pcs	Material	Color / Finish
1	End panel	2	PC+ABS UL94V-0	Black • Gray / Unpainted Navy / Painted
2	Top cover	1	Extruded aluminium A6063S-T5	Silver • Black / Anodized
3	Bottom cover	1	Extruded aluminium A6063S-T5	Silver • Black / Anodized
4	Panel gasket	2	Silicone	Black • Dark gray
5	Cover gasket	2	Silicone	White gray
6	Screw	8	Stainless Steel	Unfinished

**Farbcode - Color Type**

Code	S B silber / schwarz - silver / black	S G silber / grau - silver / gray	S N silber / navy - silver / navy
Farbe Color			
Code	B B schwarz / schwarz - black / black	B G schwarz / grau - black / gray	B N schwarz / navy - black / navy
Farbe Color			



**Best-Nr. / Maße**

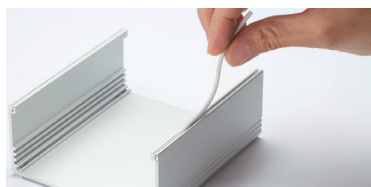
**Product no. / Dimensions**

■ Bitte vervollständigen Sie die Bestellnummer mit dem Farbcode am Ende.

■ Please suffix color code at the end of the product number.

Best-Nr. Product no.	Maße (außen) - External dimensions			Maße (innen) - Internal dimensions		
	W	H	D	a	b	c
EXW 7- 3- 6□□	69	34	58	47	20	46
EXW 7- 3- 9□□	69	34	85	47	20	73
EXW 7- 3-11□□	69	34	108	47	20	96
EXW 7- 4- 6□□	69	44	58	47	30	46
EXW 7- 4- 9□□	69	44	85	47	30	73
EXW 7- 4-11□□	69	44	108	47	30	96
EXW 7- 6- 6□□	69	59	58	47	45	46
EXW 7- 6- 9□□	69	59	85	47	45	73
EXW 7- 6-11□□	69	59	108	47	45	96
EXW 9- 4- 7□□	89	39	69	67	25	56
EXW 9- 4-10□□	89	39	99	67	25	86
EXW 9- 4-13□□	89	39	129	67	25	116
EXW 9- 5- 7□□	89	49	69	67	35	56
EXW 9- 5-10□□	89	49	99	67	35	86
EXW 9- 5-13□□	89	49	129	67	35	116
EXW 9- 6- 7□□	89	64	69	67	50	56
EXW 9- 6-10□□	89	64	99	67	50	86
EXW 9- 6-13□□	89	64	129	67	50	116
EXW12- 4- 9□□	116	41	88	89	24	74
EXW12- 4-13□□	116	41	128	89	24	114
EXW12- 4-18□□	116	41	174	89	24	160
EXW12- 6- 9□□	116	56	88	89	39	74
EXW12- 6-13□□	116	56	128	89	39	114
EXW12- 6-18□□	116	56	174	89	39	160
EXW12- 7- 9□□	116	71	88	89	54	74
EXW12- 7-13□□	116	71	128	89	54	114
EXW12- 7-18□□	116	71	174	89	54	160
EXW15- 5-11□□	151	46	107	107	29	93
EXW15- 5-15□□	151	46	147	107	29	133
EXW15- 5-20□□	151	46	197	107	29	183
EXW15- 6-11□□	151	61	107	107	44	93
EXW15- 6-15□□	151	61	147	107	44	133
EXW15- 6-20□□	151	61	197	107	44	183
EXW15- 8-11□□	151	81	107	107	64	93
EXW15- 8-15□□	151	81	147	107	64	133
EXW15- 8-20□□	151	81	197	107	64	183
EXW15-10-11□□	151	101	107	107	84	93
EXW15-10-15□□	151	101	147	107	84	133
EXW15-10-20□□	151	101	197	107	84	183

■ Sonderlängen möglich. ■ Custom length is available.



■ Legen Sie die Dichtung in die offene Nut der Profilverlinterseite.  
 ■ Insert cover gaskets into the joint-grooves on the bottom cover.



■ Ensure that a small portion of the cover gasket protrudes out in order to maintain a seal with the panel gasket.

■ Beachten Sie bitte, dass auf beiden Seiten die Dichtung, damit ein Kontakt zu den Frontplatten hergestellt werden kann.



Included screws  
 EXPF 7-□, 9-□ models : M2.5-8 x 8 pcs  
 EXPF11-□, 15-□ models : M3-10 x 8 pcs  
 EXPF20-□ models : M4-12 x 8 pcs  
 EXPF24-□ models : M5-12 x 8 pcs  
 ※Hexagonal wrench included.

## Serie EXPF Aluminiumgehäuse mit Befestigungsflansch



## Series EXPF Flanged Aluminium Panel Case

- Deckel mit Befestigungsflansch für Wandmontage.
- Verfügbar in 67 verschiedenen Standardgrößen und 6 unterschiedlichen Farbkombinationen.
- Sonderlängen möglich.

- Equipped with flanged frame for easy wall mounting.
- Available in 67 different sizes and 6 different color combinations.
- Custom length is available.

### Komponenten

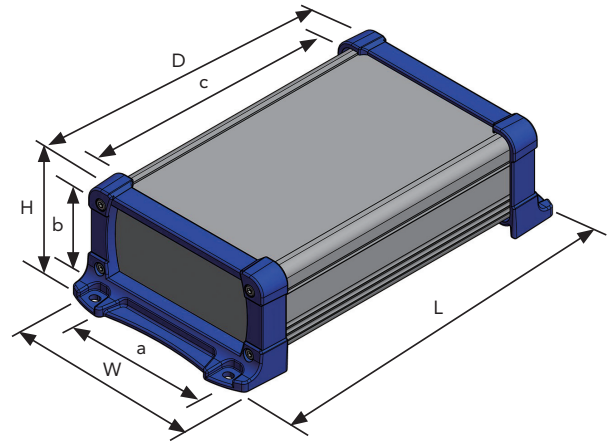
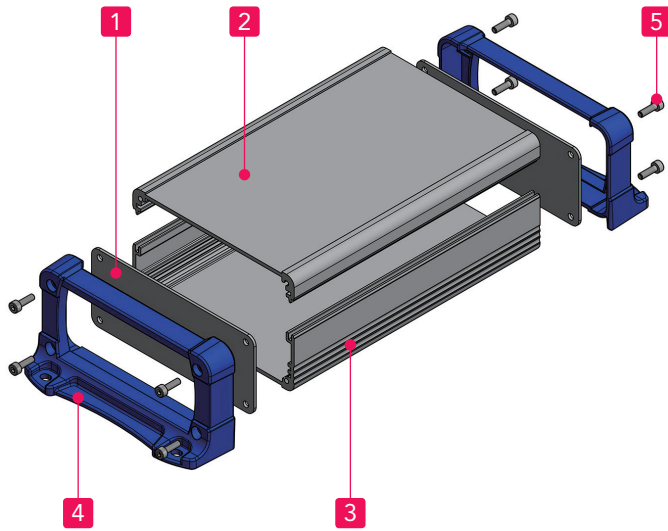
Nr.	Bezeichnung	Stück	Material	Farbe / Oberfläche
1	Frontplatten	2	Aluminium A1100P	silber • schwarz / eloxiert
2	Oberschale	1	Aluminiumprofil A6063S-T5	silber • schwarz / eloxiert
3	Unterschale	1	Aluminiumprofil A6063S-T5	silber • schwarz / eloxiert
4	Frontplattenrahmen mit Befestigungsflansch	2	PC+ABS UL94V-0	schwarz • grau / ohne Farbzusatz navy / lackiert
5	Schraube	8	Edelstahl	unbehandelt

### Components

No.	Part name	Pcs	Material	Color / Finish
1	Panel	2	Aluminium A1100P	Silver • Black / Anodized
2	Top cover	1	Extruded aluminium A6063S-T5	Silver • Black / Anodized
3	Bottom cover	1	Extruded aluminium A6063S-T5	Silver • Black / Anodized
4	Flanged frame	2	PC+ABS UL94V-0	Black • Gray / Unpainted Navy / Painted
5	Screw	8	Stainless steel	Unfinished

### Farbcode - Color Type

Code	S B silber / schwarz - silver / black	S G silber / grau - silver / gray	S N silber / navy - silver / navy
Farbe Color			
Code	B B schwarz / schwarz - black / black	B G schwarz / grau - black / gray	B N schwarz / navy - black / navy
Farbe Color			



**Best-Nr. / Maße**  
**Product no. / Dimensions**

■ Bitte vervollständigen Sie die Bestellnummer mit dem Farbcode am Ende.  
■ Please suffix color code at the end of the product number.

Best-Nr. Product no.	Maße (extern) Dimensions (External)				Maße (intern) Dimensions (Internal)		
	W	H	D	L	a	b	c
NEW EXPF 7- 3- 6□□	66	34	60	84	47	19.6	46
NEW EXPF 7- 3- 9□□	66	34	87	111	47	19.6	73
NEW EXPF 7- 3-11□□	66	34	110	134	47	19.6	96
NEW EXPF 7- 4- 6□□	66	44	60	84	47	29.6	46
NEW EXPF 7- 4- 9□□	66	44	87	111	47	29.6	73
NEW EXPF 7- 4-11□□	66	44	110	134	47	29.6	96
NEW EXPF 7- 6- 6□□	66	59	60	84	47	44.6	46
NEW EXPF 7- 6- 9□□	66	59	87	111	47	44.6	73
NEW EXPF 7- 6-11□□	66	59	110	134	47	44.6	96
NEW EXPF 9- 4- 7□□	86	39	70	95.8	67	24.6	56
NEW EXPF 9- 4-10□□	86	39	100	125.8	67	24.6	86
NEW EXPF 9- 4-13□□	86	39	130	155.8	67	24.6	116
NEW EXPF 9- 5- 7□□	86	49	70	95.8	67	34.6	56
NEW EXPF 9- 5-10□□	86	49	100	125.8	67	34.6	86
NEW EXPF 9- 5-13□□	86	49	130	155.8	67	34.6	116
NEW EXPF 9- 6- 7□□	86	64	70	95.8	67	49.6	56
NEW EXPF 9- 6-10□□	86	64	100	125.8	67	49.6	86
NEW EXPF 9- 6-13□□	86	64	130	155.8	67	49.6	116
NEW EXPF11- 4- 9□□	113	41.5	90	121.8	89	24	74
NEW EXPF11- 4-13□□	113	41.5	130	161.8	89	24	114
NEW EXPF11- 4-18□□	113	41.5	176	207.8	89	24	160
NEW EXPF11- 6- 9□□	113	56.5	90	121.8	89	39	74
NEW EXPF11- 6-13□□	113	56.5	130	161.8	89	39	114
NEW EXPF11- 6-18□□	113	56.5	176	207.8	89	39	160
NEW EXPF11- 7- 9□□	113	71.5	90	121.8	89	54	74
NEW EXPF11- 7-13□□	113	71.5	130	161.8	89	54	114
NEW EXPF11- 7-18□□	113	71.5	176	207.8	89	54	160
NEW EXPF15- 5-11□□	148	47	110	149.2	107.4	29	93
NEW EXPF15- 5-15□□	148	47	150	189.2	107.4	29	133
NEW EXPF15- 5-20□□	148	47	200	239.2	107.4	29	183
NEW EXPF15- 6-11□□	148	62	110	149.2	107.4	44	93
NEW EXPF15- 6-15□□	148	62	150	189.2	107.4	44	133
NEW EXPF15- 6-20□□	148	62	200	239.2	107.4	44	183
NEW EXPF15- 8-11□□	148	82	110	149.2	107.4	64	93
NEW EXPF15- 8-15□□	148	82	150	189.2	107.4	64	133
NEW EXPF15- 8-20□□	148	82	200	239.2	107.4	64	183
NEW EXPF15-10-11□□	148	102	110	149.2	107.4	84	93
NEW EXPF15-10-15□□	148	102	150	189.2	107.4	84	133
NEW EXPF15-10-20□□	148	102	200	239.2	107.4	84	183

Best-Nr. Product no.	Maße (extern) Dimensions (External)				Maße (intern) Dimensions (Internal)		
	W	H	D	L	a	b	c
NEW EXPF20- 6-14□□	195	57	140	188.6	132	35	120
NEW EXPF20- 6-19□□	195	57	192	240.6	132	35	172
NEW EXPF20- 6-25□□	195	57	245	293.6	132	35	225
NEW EXPF20- 6-30□□	195	57	300	348.6	132	35	280
NEW EXPF20- 8-14□□	195	75	140	188.6	132	53	120
NEW EXPF20- 8-19□□	195	75	192	240.6	132	53	172
NEW EXPF20- 8-25□□	195	75	245	293.6	132	53	225
NEW EXPF20- 8-30□□	195	75	300	348.6	132	53	280
NEW EXPF20-10-14□□	195	95	140	188.6	132	73	120
NEW EXPF20-10-19□□	195	95	192	240.6	132	73	172
NEW EXPF20-10-25□□	195	95	245	293.6	132	73	225
NEW EXPF20-10-30□□	195	95	300	348.6	132	73	280
NEW EXPF20-12-14□□	195	120	140	188.6	132	98	120
NEW EXPF20-12-19□□	195	120	192	240.6	132	98	172
NEW EXPF20-12-25□□	195	120	245	293.6	132	98	225
NEW EXPF20-12-30□□	195	120	300	348.6	132	98	280
NEW EXPF24- 7-17□□	240	65	170	218.6	177	43	147
NEW EXPF24- 7-23□□	240	65	230	278.6	177	43	207
NEW EXPF24- 7-29□□	240	65	290	338.6	177	43	267
NEW EXPF24- 7-35□□	240	65	350	398.6	177	43	327
NEW EXPF24- 9-17□□	240	90	170	218.6	177	68	147
NEW EXPF24- 9-23□□	240	90	230	278.6	177	68	207
NEW EXPF24- 9-29□□	240	90	290	338.6	177	68	267
NEW EXPF24- 9-35□□	240	90	350	398.6	177	68	327
NEW EXPF24-12-17□□	240	115	170	218.6	177	93	147
NEW EXPF24-12-23□□	240	115	230	278.6	177	93	207
NEW EXPF24-12-29□□	240	115	290	338.6	177	93	267
NEW EXPF24-12-35□□	240	115	350	398.6	177	93	327



Folgende Versionen zur Aufnahme von Mini-ITX geeignet.  
EXPF20-8-19□□  
EXPF20-10-19□□  
EXPF20-12-19□□

Following models are suitable for placement of a Mini-ITX board.  
EXPF20-8-19□□  
EXPF20-10-19□□  
EXPF20-12-19□□





Included screws  
 EXEF 7-□, 9-□ models : M2.5-8 x 8 pcs  
 EXEF11-□, 15-□ models : M3-10 x 8 pcs  
 EXEF20-□ models : M4-12 x 8 pcs  
 EXEF24-□ models : M5-12 x 8 pcs  
 ※Hexagonal wrench included.

**Serie EXEF EMV**  
 Aluminiumgehäuse mit Befestigungsflansch



**Series EXEF**  
 Flanged Aluminium EMC Shield Case

- EMV Schutz wird erreicht durch unbehandelte Innenflächen der Profile, Frontplatten und leitfähigen Dichtungen.
- Deckel mit Befestigungsflansch für Wandmontage.
- Verfügbar in 67 verschiedenen Standardgrößen und 3 unterschiedlichen Farbkombinationen.
- EMC shielding is achieved by having the unfinished inner sides of the top/bottom covers and panels, as well as the fabric-over-foam gasket in contact with one another.
- Equipped with flanged frame for easy wall mounting.
- Available in 67 different sizes and 3 different color combinations.

**Komponenten**

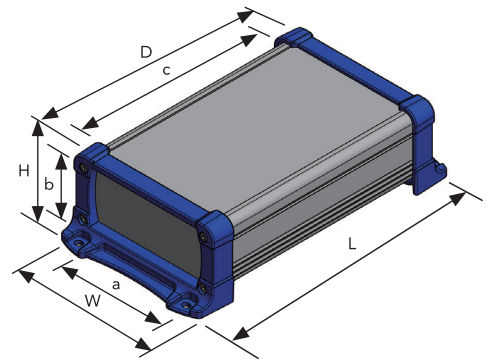
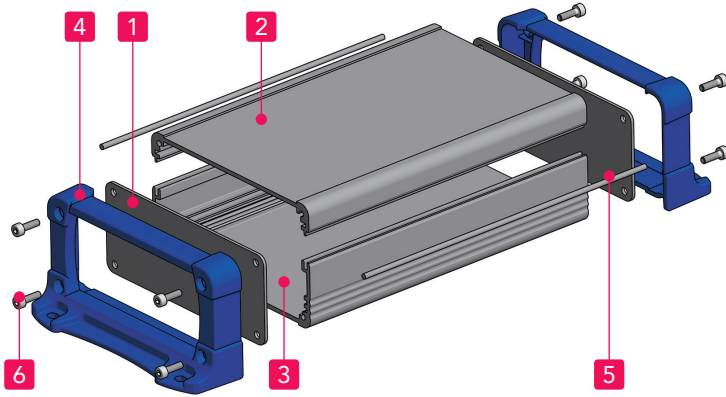
Nr.	Bezeichnung	Stück	Material	Farbe / Oberfläche
1	Frontplatten	2	Aluminium A1100P	silber / lackiert (außen) • unbehandelt (innen)
2	Oberschale	1	Aluminiumprofil A6063S-T5	silber / lackiert (außen) • unbehandelt (innen)
3	Unterschale	1	Aluminiumprofil A6063S-T5	silber / lackiert (außen) • unbehandelt (innen)
4	Frontplattenrahmen mit Befestigungsflansch	2	PC+ABS UL94V-0	schwarz • grau / unlackiert navy / lackiert
5	leitfähige Dichtung	2	leitfähig : TPE	metallisch grau
6	Schraube	8	Edelstahl	unbehandelt

**Components**

No.	Part name	Pcs	Material	Color / Finish
1	Panel	2	Aluminium A1100P	Silver / Painted (outside) • Unfinished (inside)
2	Top cover	1	Extruded aluminium A6063S-T5	Silver / Painted (outside) • Unfinished (inside)
3	Bottom cover	1	Extruded aluminium A6063S-T5	Silver / Painted (outside) • Unfinished (inside)
4	Flanged frame	2	PC+ABS UL94V-0	Black • Gray / Unpainted Navy / Painted
5	Fabric-over-foam gasket	2	Conductive fabric : TPE	Metallic gray
6	Screw	8	Stainless steel	Unfinished

**Farbcode - Color Type**

Code	S B silber / schwarz - silver / black	S G silber / grau - silver / gray	S N silber / navy - silver / navy
Farbe Color			



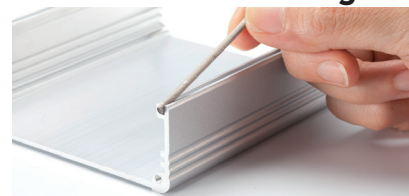
- Bitte vervollständigen Sie die Bestellnummer mit dem Farbcode am Ende.
- Please suffix color code at the end of the product number.

**Best-Nr. / Maße - Product no. / Dimensions**

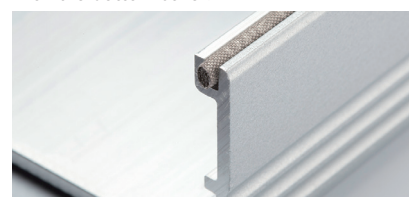
Best-Nr. Product no.	Maße - Dimensions (External)				Dimensions (Internal)		
	W	H	D	L	a	b	c
NEW EXEF 7- 3- 6□□	66	34	60	84	47	19.6	46
NEW EXEF 7- 3- 9□□	66	34	87	111	47	19.6	73
NEW EXEF 7- 3-11□□	66	34	110	134	47	19.6	96
NEW EXEF 7- 4- 6□□	66	44	60	84	47	29.6	46
NEW EXEF 7- 4- 9□□	66	44	87	111	47	29.6	73
NEW EXEF 7- 4-11□□	66	44	110	134	47	29.6	96
NEW EXEF 7- 6- 6□□	66	59	60	84	47	44.6	46
NEW EXEF 7- 6- 9□□	66	59	87	111	47	44.6	73
NEW EXEF 7- 6-11□□	66	59	110	134	47	44.6	96
NEW EXEF 9- 4- 7□□	86	39	70	95.8	67	24.6	56
NEW EXEF 9- 4-10□□	86	39	100	125.8	67	24.6	86
NEW EXEF 9- 4-13□□	86	39	130	155.8	67	24.6	116
NEW EXEF 9- 5- 7□□	86	49	70	95.8	67	34.6	56
NEW EXEF 9- 5-10□□	86	49	100	125.8	67	34.6	86
NEW EXEF 9- 5-13□□	86	49	130	155.8	67	34.6	116
NEW EXEF 9- 6- 7□□	86	64	70	95.8	67	49.6	56
NEW EXEF 9- 6-10□□	86	64	100	125.8	67	49.6	86
NEW EXEF 9- 6-13□□	86	64	130	155.8	67	49.6	116
NEW EXEF11- 4- 9□□	113	41.5	90	121.8	89	24	74
NEW EXEF11- 4-13□□	113	41.5	130	161.8	89	24	114
NEW EXEF11- 4-18□□	113	41.5	176	207.8	89	24	160
NEW EXEF11- 6- 9□□	113	56.5	90	121.8	89	39	74
NEW EXEF11- 6-13□□	113	56.5	130	161.8	89	39	114
NEW EXEF11- 6-18□□	113	56.5	176	207.8	89	39	160
NEW EXEF11- 7- 9□□	113	71.5	90	121.8	89	54	74
NEW EXEF11- 7-13□□	113	71.5	130	161.8	89	54	114
NEW EXEF11- 7-18□□	113	71.5	176	207.8	89	54	160
NEW EXEF15- 5-11□□	148	47	110	149.2	107.4	29	93
NEW EXEF15- 5-15□□	148	47	150	189.2	107.4	29	133
NEW EXEF15- 5-20□□	148	47	200	239.2	107.4	29	183
NEW EXEF15- 6-11□□	148	62	110	149.2	107.4	44	93
NEW EXEF15- 6-15□□	148	62	150	189.2	107.4	44	133
NEW EXEF15- 6-20□□	148	62	200	239.2	107.4	44	183
NEW EXEF15- 8-11□□	148	82	110	149.2	107.4	64	93
NEW EXEF15- 8-15□□	148	82	150	189.2	107.4	64	133
NEW EXEF15- 8-20□□	148	82	200	239.2	107.4	64	183
NEW EXEF15-10-11□□	148	102	110	149.2	107.4	84	93
NEW EXEF15-10-15□□	148	102	150	189.2	107.4	84	133
NEW EXEF15-10-20□□	148	102	200	239.2	107.4	84	183

Best-Nr. Product no.	Maße - Dimensions (External)				Dimensions (Internal)		
	W	H	D	L	a	b	c
NEW EXEF20- 6-14□□	195	57	140	188.6	132	35	120
NEW EXEF20- 6-19□□	195	57	192	240.6	132	35	172
NEW EXEF20- 6-25□□	195	57	245	293.6	132	35	225
NEW EXEF20- 6-30□□	195	57	300	348.6	132	35	280
NEW EXEF20- 8-14□□	195	75	140	188.6	132	53	120
NEW EXEF20- 8-19□□	195	75	192	240.6	132	53	172
NEW EXEF20- 8-25□□	195	75	245	293.6	132	53	225
NEW EXEF20- 8-30□□	195	75	300	348.6	132	53	280
NEW EXEF20-10-14□□	195	95	140	188.6	132	73	120
NEW EXEF20-10-19□□	195	95	192	240.6	132	73	172
NEW EXEF20-10-25□□	195	95	245	293.6	132	73	225
NEW EXEF20-10-30□□	195	95	300	348.6	132	73	280
NEW EXEF20-12-14□□	195	120	140	188.6	132	98	120
NEW EXEF20-12-19□□	195	120	192	240.6	132	98	172
NEW EXEF20-12-25□□	195	120	245	293.6	132	98	225
NEW EXEF20-12-30□□	195	120	300	348.6	132	98	280
NEW EXEF24- 7-17□□	240	65	170	218.6	177	43	147
NEW EXEF24- 7-23□□	240	65	230	278.6	177	43	207
NEW EXEF24- 7-29□□	240	65	290	338.6	177	43	267
NEW EXEF24- 7-35□□	240	65	350	398.6	177	43	327
NEW EXEF24- 9-17□□	240	90	170	218.6	177	68	147
NEW EXEF24- 9-23□□	240	90	230	278.6	177	68	207
NEW EXEF24- 9-29□□	240	90	290	338.6	177	68	267
NEW EXEF24- 9-35□□	240	90	350	398.6	177	68	327
NEW EXEF24-12-17□□	240	115	170	218.6	177	93	147
NEW EXEF24-12-23□□	240	115	230	278.6	177	93	207
NEW EXEF24-12-29□□	240	115	290	338.6	177	93	267
NEW EXEF24-12-35□□	240	115	350	398.6	177	93	327

**Installation der Dichtungen  
How to install a shield gasket**



- Legen Sie die Dichtung in die offene Nut der Profilerunterseite.
- Insert fabric-over-foam gasket into the joint-grooves on the bottom cover.



- Beachten Sie bitte, dass auf beiden Seiten die Dichtung, damit ein Kontakt zu den Frontplatten hergestellt werden kann.
- Ensure that a small portion of the fabric-over-foam gasket protrudes out in order to maintain a connection with the end panel.



Folgende Versionen zur Aufnahme von Mini-ITX geeignet.  
EXEF20-8-19□□  
EXEF20-10-19□□  
EXEF20-12-19□□

Following models are suitable for placement of a Mini-ITX board.  
EXEF20-8-19□□  
EXEF20-10-19□□  
EXEF20-12-19□□



Technische Daten
Schutzklasse : IP65 • IP54 Schutzklasse variiert mit der Größe. ■ Nicht geeignet für Umgebung mit direktem Regen

Technical Data
Protection class : IP65 • IP54 Protection class varies by size. ■ Not suitable for environments with direct rainfall

Included screw  
EXWF7-□, 9-□ models : M2.5-8 x 8 pcs  
EXWF12-□, 15-□ models : M3-10 x 8 pcs  
EXWF20-□ models : M4-12 x 8 pcs  
EXWF24-□ models : M5-12 x 8 pcs  
※Hexagonal wrench included.

## Serie EXWF IP65 Aluminiumgehäuse mit Befestigungsflansch



## Series EXWF IP65 Flanged Aluminium Case

- Wasserdichtes Gehäuse verfügbar in 67 verschiedenen Standardgrößen und 6 Farbkombinationen.
- Deckel mit Befestigungsflansch für Wandmontage.
- Sonderlängen möglich.

- Waterproof case available in 67 different sizes and 6 different color combinations by 2 body frame and 3 end panel colors.
- Flanged end panels make it easy for wall mounting. Suitable to be used as wall mounted controller and transmitter.
- Custom length is available.

### Komponenten

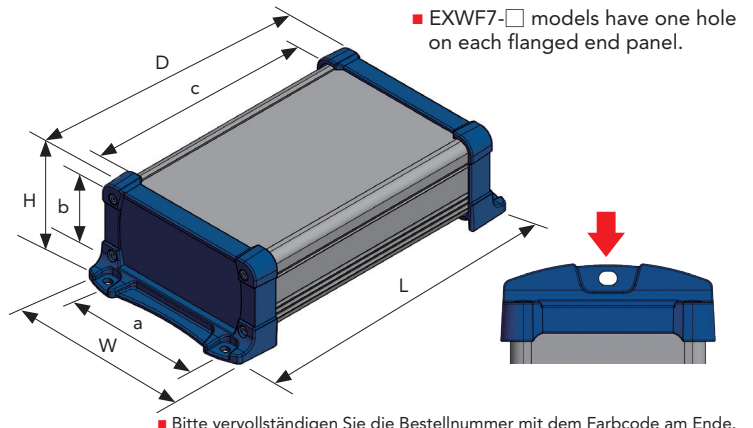
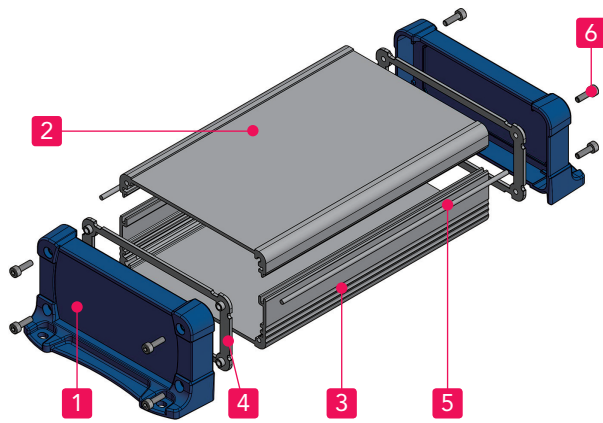
Nr.	Bezeichnung	Stück	Material	Farbe / Oberfläche
1	Deckel mit Befestigungsflansch	2	PC+ABS UL94V-0	schwarz • grau / unlackiert navy / lackiert
2	Oberschale	1	Aluminiumprofil A6063S-T5	silber • schwarz / eloxiert
3	Unterschale	1	Aluminiumprofil A6063S-T5	silber • schwarz / eloxiert
4	Frontplattendichtung	2	Silikon	schwarz
5	Profildichtung	2	Silikon	hellgrau
6	Schraube	8	Edelstahl	unbehandelt

### Components

No.	Part name	Pcs	Material	Color / Finish
1	Flanged end panel	2	PC+ABS UL94V-0	Black • Gray / Unpainted Navy / Painted
2	Top cover	1	Extruded aluminium A6063S-T5	Silver • Black / Anodized
3	Bottom cover	1	Extruded aluminium A6063S-T5	Silver • Black / Anodized
4	Panel gasket	2	Silicone	Black
5	Cover gasket	2	Silicone	White gray
6	Screw	8	Stainless Steel	Unfinished

### Farbcode - Color Type

Code	S B silber / schwarz - silver / black	S G silber / grau - silver / gray	S N silber / navy - silver / navy
Farbe Color			
Code	B B schwarz / schwarz - black / black	B G schwarz / grau - black / gray	B N schwarz / navy - black / navy
Farbe Color			



■ EXWF7-□ models have one hole on each flanged end panel.

■ Bitte vervollständigen Sie die Bestellnummer mit dem Farbcode am Ende.

■ Please suffix color code at the end of the product number.

**Best-Nr. / Maße - Product no. / Dimensions**

Best-Nr. Product no.	Protection class	External dimensions				Internal dimensions		
		W	H	D	L	a	b	c
NEW EXWF 7- 3- 6□□	IP65	66	34	58	82	47	20	46
NEW EXWF 7- 3- 9□□	IP65	66	34	85	109	47	20	73
NEW EXWF 7- 3-11□□	IP65	66	34	108	132	47	20	96
NEW EXWF 7- 4- 6□□	IP65	66	44	58	82	47	30	46
NEW EXWF 7- 4- 9□□	IP65	66	44	85	109	47	30	73
NEW EXWF 7- 4-11□□	IP65	66	44	108	132	47	30	96
NEW EXWF 7- 6- 6□□	IP65	66	59	58	82	47	45	46
NEW EXWF 7- 6- 9□□	IP65	66	59	85	109	47	45	73
NEW EXWF 7- 6-11□□	IP65	66	59	108	132	47	45	96
NEW EXWF 9- 4- 7□□	IP65	86	39	69	94.8	67	25	56
NEW EXWF 9- 4-10□□	IP65	86	39	99	124.8	67	25	86
NEW EXWF 9- 4-13□□	IP65	86	39	129	154.8	67	25	116
NEW EXWF 9- 5- 7□□	IP65	86	49	69	94.8	67	35	56
NEW EXWF 9- 5-10□□	IP65	86	49	99	124.8	67	35	86
NEW EXWF 9- 5-13□□	IP65	86	49	129	154.8	67	35	116
NEW EXWF 9- 6- 7□□	IP65	86	64	69	94.8	67	50	56
NEW EXWF 9- 6-10□□	IP65	86	64	99	124.8	67	50	86
NEW EXWF 9- 6-13□□	IP65	86	64	129	154.8	67	50	116
NEW EXWF11- 4- 9□□	IP65	113	41.5	88	119.8	89	24	74
NEW EXWF11- 4-13□□	IP65	113	41.5	128	159.8	89	24	114
NEW EXWF11- 4-17□□	IP65	113	41.5	174	205.8	89	24	160
NEW EXWF11- 6- 9□□	IP65	113	56.5	88	119.8	89	39	74
NEW EXWF11- 6-13□□	IP65	113	56.5	128	159.8	89	39	114
NEW EXWF11- 6-17□□	IP65	113	56.5	174	205.8	89	39	160
NEW EXWF11- 7- 9□□	IP65	113	71.5	88	119.8	89	54	74
NEW EXWF11- 7-13□□	IP65	113	71.5	128	159.8	89	54	114
NEW EXWF11- 7-17□□	IP65	113	71.5	174	205.8	89	54	160
NEW EXWF15- 5-11□□	IP65	148	47	107	146.2	107	29	93
NEW EXWF15- 5-15□□	IP65	148	47	147	186.2	107	29	133
NEW EXWF15- 5-20□□	IP65	148	47	197	236.2	107	29	183
NEW EXWF15- 6-11□□	IP65	148	62	107	146.2	107	44	93
NEW EXWF15- 6-15□□	IP65	148	62	147	186.2	107	44	133
NEW EXWF15- 6-20□□	IP65	148	62	197	236.2	107	44	183
NEW EXWF15- 8-11□□	IP65	148	82	107	146.2	107	64	93
NEW EXWF15- 8-15□□	IP65	148	82	147	186.2	107	64	133
NEW EXWF15- 8-20□□	IP65	148	82	197	236.2	107	64	183
NEW EXWF15-10-11□□	IP65	148	102	107	146.2	107	84	93
NEW EXWF15-10-15□□	IP65	148	102	147	186.2	107	84	133
NEW EXWF15-10-20□□	IP65	148	102	197	236.2	107	84	183

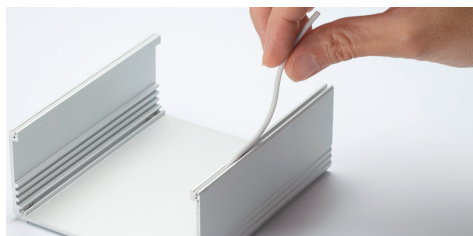
Best-Nr. Product no.	Protection class	External dimensions				Internal dimensions		
		W	H	D	L	a	b	c
NEW EXWF20- 6-14□□	IP54	195	57	138	186.6	132	35	120
NEW EXWF20- 6-19□□	IP54	195	57	190	238.6	132	35	172
NEW EXWF20- 6-25□□	IP54	195	57	243	291.6	132	35	225
NEW EXWF20- 6-30□□	IP54	195	57	298	346.6	132	35	280
NEW EXWF20- 8-14□□	IP54	195	75	138	186.6	132	53	120
NEW EXWF20- 8-19□□	IP54	195	75	190	238.6	132	53	172
NEW EXWF20- 8-25□□	IP54	195	75	243	291.6	132	53	225
NEW EXWF20- 8-30□□	IP54	195	75	298	346.6	132	53	280
NEW EXWF20-10-14□□	IP54	195	95	138	186.6	132	73	120
NEW EXWF20-10-19□□	IP54	195	95	190	238.6	132	73	172
NEW EXWF20-10-25□□	IP54	195	95	243	291.6	132	73	225
NEW EXWF20-10-30□□	IP54	195	95	298	346.6	132	73	280
NEW EXWF20-12-14□□	IP54	195	120	138	186.6	132	98	120
NEW EXWF20-12-19□□	IP54	195	120	190	238.6	132	98	172
NEW EXWF20-12-25□□	IP54	195	120	243	291.6	132	98	225
NEW EXWF20-12-30□□	IP54	195	120	298	346.6	132	98	280
NEW EXWF24- 7-14□□	IP54	240	65	165	213.6	177	43	147
NEW EXWF24- 7-19□□	IP54	240	65	225	273.6	177	43	207
NEW EXWF24- 7-25□□	IP54	240	65	285	333.6	177	43	267
NEW EXWF24- 7-35□□	IP54	240	65	345	393.6	177	43	327
NEW EXWF24- 9-14□□	IP54	240	90	165	213.6	177	68	147
NEW EXWF24- 9-19□□	IP54	240	90	225	273.6	177	68	207
NEW EXWF24- 9-25□□	IP54	240	90	285	333.6	177	68	267
NEW EXWF24- 9-35□□	IP54	240	90	345	393.6	177	68	327
NEW EXWF24-12-14□□	IP54	240	115	165	213.6	177	93	147
NEW EXWF24-12-19□□	IP54	240	115	225	273.6	177	93	207
NEW EXWF24-12-25□□	IP54	240	115	285	333.6	177	93	267
NEW EXWF24-12-35□□	IP54	240	115	345	393.6	177	93	327



■ Beachten Sie bitte, dass auf beiden Seiten die Dichtung, damit ein Kontakt zu den Frontplatten hergestellt werden kann.

■ Ensure that a small portion of the cover gasket protrudes out in order to maintain a seal with the panel gasket.

**Installation der Dichtungen  
How to install cover gasket**



■ Legen Sie die Dichtung in die offene Nut der Profilerunterseite.

■ Insert cover gaskets into the joint-grooves on the bottom cover.

**Technische Daten**

Schutzklasse: IP40

**Technical Data**

Protection class: IP40



**Serie EX**  
Aluminium-Profilgehäuse

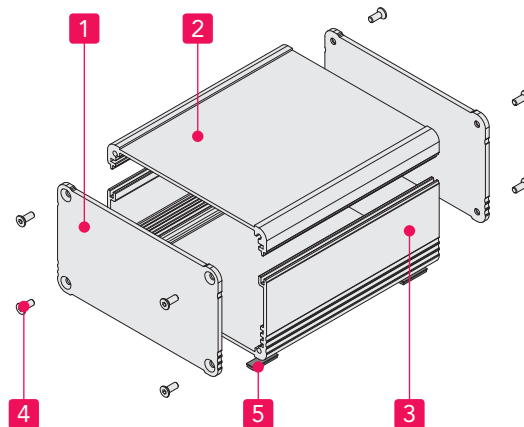


**EX Series**  
Extruded aluminium case



- Aluminiumgehäuse aus extrudierten Profilen mit schönem Design.
- Verfügbar in 4 Farbkombinationen.
- Edle Oberflächenbeschaffenheit mit angefasten Deckelplatten.
- Geeignet für industrielle Produkte und Audio Anwendungen.

- Simple yet beautifully designed aluminium extrusion enclosure.
- Selectable in 4 different color combinations.
- Beautiful high-end finish is achieved by having a chamfered edge panel.
- Suitable for industrial and audio interface equipments.



**Komponenten**

Nr.	Bezeichnung	Stück	Material	Farbe / Oberfläche
1	Frontplatten	2	Aluminium A1050P	silber • schwarz / eloxiert
2	Oberschale	1	Aluminiumprofil A6063S-T5	silber • schwarz / eloxiert
3	Unterschale	1	Aluminiumprofil A6063S-T5	silber • schwarz / eloxiert
4	Schraube	8	Edelstahl	unbehandelt
5	GummifüÙe	4	Polyurethan	schwarz

**Components**

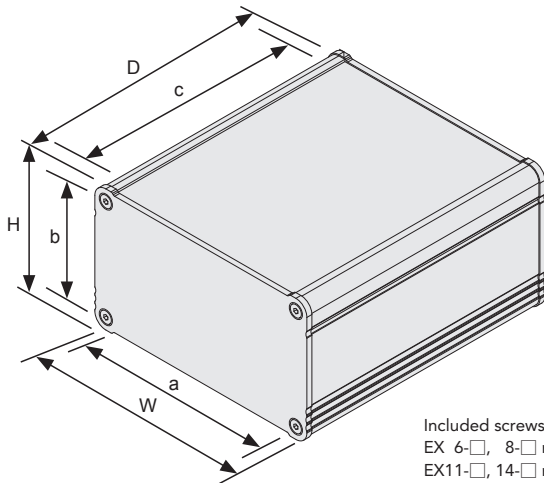
No.	Part name	Pcs	Material	Color / Finish
1	End panel	2	Aluminium A1050P	Silver • Black / Anodized
2	Top cover	1	Extruded aluminium A6063S-T5	Silver • Black / Anodized
3	Bottom cover	1	Extruded aluminium A6063S-T5	Silver • Black / Anodized
4	Screw	8	Stainless steel	Unfinished
5	Rubber feet	4	Polyurethane	Black

**Farbvarianten - Color Types**

Farbcode Color code	S S silber / silber S S Silver / Silver	S B silber / schwarz S B Silver / Black	B S schwarz / silber B S Black / Silver	B B schwarz / schwarz B B Black / Black
Farbe Color				

# EX Zubehör (optional erhältlich)

# (optional parts) EX Accessories



Schrauben inklusive  
 EX 6-□, 8-□ models : M2.5-8 x 8 pcs  
 EX11-□, 14-□ models : M3-8 x 8 pcs  
 EX19-□ models : M4-10 x 8 pcs  
 EX23-□ models : M5-10 x 8 pcs  
 ※Sechskantschlüssel inbegriffen.

Included screws  
 EX 6-□, 8-□ models : M2.5-8 x 8 pcs  
 EX11-□, 14-□ models : M3-8 x 8 pcs  
 EX19-□ models : M4-10 x 8 pcs  
 EX23-□ models : M5-10 x 8 pcs  
 ※Hexagonal wrench included.



Wall mounting bracket EF series

## Bestellnummer / Maße - Product no. / Dimensions

■ Bitte vervollständigen Sie die Bestellnummer mit dem Farbcode am Ende.  
 ■ Please suffix color code at the end of the product number.

Best-Nr. Product no.	Maße - Dimensions (External)			Maße - Dimensions (Internal)		
	W	H	D	a	b	c
EX 6- 3- 5□□	60.6	25.6	50	47	19.6	46
EX 6- 3- 8□□	60.6	25.6	77	47	19.6	73
EX 6- 3-10□□	60.6	25.6	100	47	19.6	96
EX 6- 4- 5□□	60.6	35.6	50	47	29.6	46
EX 6- 4- 8□□	60.6	35.6	77	47	29.6	73
EX 6- 4-10□□	60.6	35.6	100	47	29.6	96
EX 6- 5- 5□□	60.6	50.6	50	47	44.6	46
EX 6- 5- 8□□	60.6	50.6	77	47	44.6	73
EX 6- 5-10□□	60.6	50.6	100	47	44.6	96
EX 8- 3- 6□□	80.6	30.6	60	67	24.6	56
EX 8- 3- 9□□	80.6	30.6	90	67	24.6	86
EX 8- 3-12□□	80.6	30.6	120	67	24.6	116
EX 8- 4- 6□□	80.6	40.6	60	67	34.6	56
EX 8- 4- 9□□	80.6	40.6	90	67	34.6	86
EX 8- 4-12□□	80.6	40.6	120	67	34.6	116
EX 8- 6- 6□□	80.6	55.6	60	67	49.6	56
EX 8- 6- 9□□	80.6	55.6	90	67	49.6	86
EX 8- 6-12□□	80.6	55.6	120	67	49.6	116
EX11- 3- 8□□	106	31	79	89	24	74
EX11- 3-12□□	106	31	119	89	24	114
EX11- 3-16□□	106	31	165	89	24	160
EX11- 5- 8□□	106	46	79	89	39	74
EX11- 5-12□□	106	46	119	89	39	114
EX11- 5-16□□	106	46	165	89	39	160
EX11- 6- 8□□	106	61	79	89	54	74
EX11- 6-12□□	106	61	119	89	54	114
EX11- 6-16□□	106	61	165	89	54	160
EX14- 4-10□□	141	36	98	107.4	29	93
EX14- 4-14□□	141	36	138	107.4	29	133
EX14- 4-19□□	141	36	188	107.4	29	183
EX14- 5-10□□	141	51	98	107.4	44	93
EX14- 5-14□□	141	51	138	107.4	44	133
EX14- 5-19□□	141	51	188	107.4	44	183
EX14- 7-10□□	141	71	98	107.4	64	93
EX14- 7-14□□	141	71	138	107.4	64	133
EX14- 7-19□□	141	71	188	107.4	64	183
EX14- 9-10□□	141	91	98	107.4	84	93
EX14- 9-14□□	141	91	138	107.4	84	133
EX14- 9-19□□	141	91	188	107.4	84	183

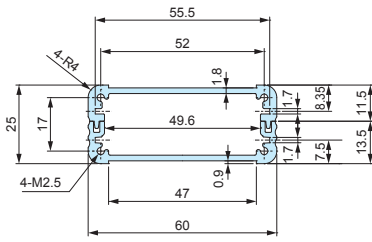
Best-Nr. Product no.	Maße - Dimensions (External)			Maße - Dimensions (Internal)		
	W	H	D	a	b	c
<b>NEW</b> EX19- 4-13□□	186.5	43.5	125	132	35	120
<b>NEW</b> EX19- 4-18□□	186.5	43.5	177	132	35	172
<b>NEW</b> EX19- 4-23□□	186.5	43.5	230	132	35	225
<b>NEW</b> EX19- 4-29□□	186.5	43.5	285	132	35	280
<b>NEW</b> EX19- 6-13□□	186.5	61.5	125	132	53	120
<b>NEW</b> EX19- 6-18□□	186.5	61.5	177	132	53	172
<b>NEW</b> EX19- 6-23□□	186.5	61.5	230	132	53	225
<b>NEW</b> EX19- 6-29□□	186.5	61.5	285	132	53	280
<b>NEW</b> EX19- 8-13□□	186.5	81.5	125	132	73	120
<b>NEW</b> EX19- 8-18□□	186.5	81.5	177	132	73	172
<b>NEW</b> EX19- 8-23□□	186.5	81.5	230	132	73	225
<b>NEW</b> EX19- 8-29□□	186.5	81.5	285	132	73	280
<b>NEW</b> EX19-11-13□□	186.5	106.5	125	132	98	120
<b>NEW</b> EX19-11-18□□	186.5	106.5	177	132	98	172
<b>NEW</b> EX19-11-23□□	186.5	106.5	230	132	98	225
<b>NEW</b> EX19-11-29□□	186.5	106.5	285	132	98	280
<b>NEW</b> EX23- 5-15□□	232	52	153	177	43	147
<b>NEW</b> EX23- 5-21□□	232	52	213	177	43	207
<b>NEW</b> EX23- 5-27□□	232	52	273	177	43	267
<b>NEW</b> EX23- 5-33□□	232	52	333	177	43	327
<b>NEW</b> EX23- 8-15□□	232	77	153	177	68	147
<b>NEW</b> EX23- 8-21□□	232	77	213	177	68	207
<b>NEW</b> EX23- 8-27□□	232	77	273	177	68	267
<b>NEW</b> EX23- 8-33□□	232	77	333	177	68	327
<b>NEW</b> EX23-10-15□□	232	102	153	177	93	147
<b>NEW</b> EX23-10-21□□	232	102	213	177	93	207
<b>NEW</b> EX23-10-27□□	232	102	273	177	93	267
<b>NEW</b> EX23-10-33□□	232	102	333	177	93	327

**Profilübersicht** Ober- und Unterschale  
 EXP - EXPE - EXPF - EXEF - EX

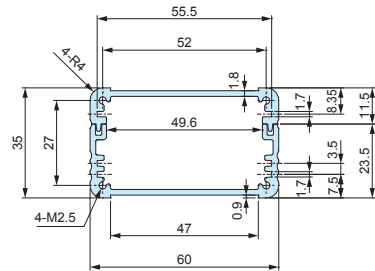
**Cross-section View**

EXP - EXPE - EXPF - EXEF - EX top / bottom covers

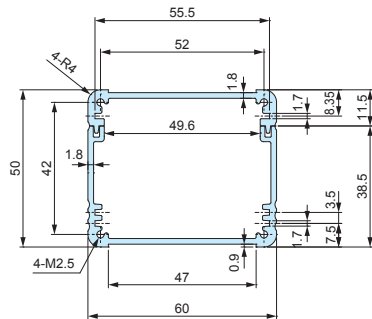
EXP • EXPE • EXPF • EXEF7-3-□  
 EX6-3-□



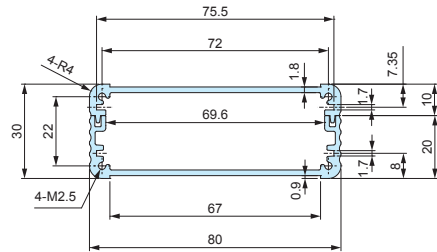
EXP • EXPE • EXPF • EXEF7-4-□  
 EX6-4-□



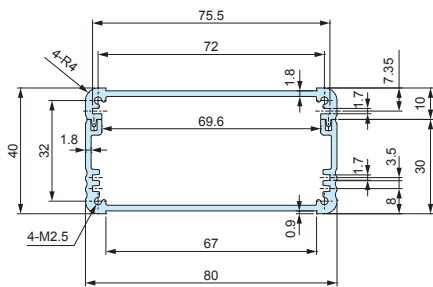
EXP • EXPE • EXPF • EXEF7-6-□  
 EX6-5-□



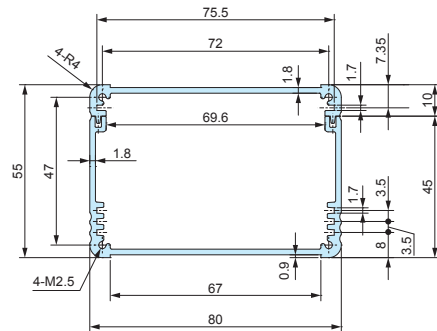
EXP • EXPE • EXPF • EXEF9-4-□  
 EX8-3-□



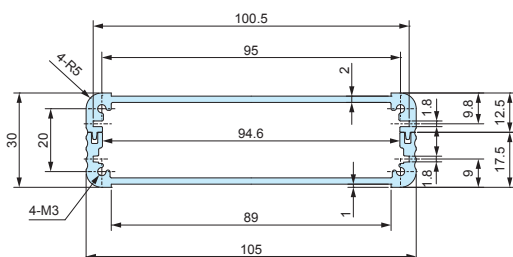
EXP • EXPE • EXPF • EXEF9-5-□  
 EX8-4-□



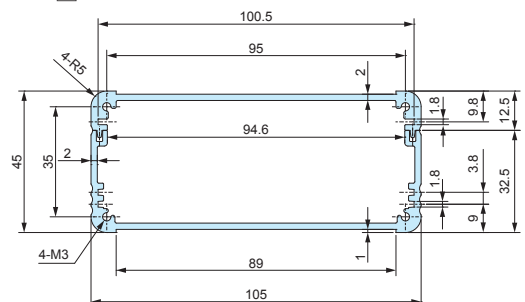
EXP • EXPE • EXPF • EXEF9-6-□  
 EX8-6-□



EXP • EXPE12-4-□  
 EXPF • EXEF11-4-□  
 EX11-3-□



EXP • EXPE12-6-□  
 EXPF • EXEF11-6-□  
 EX11-5-□



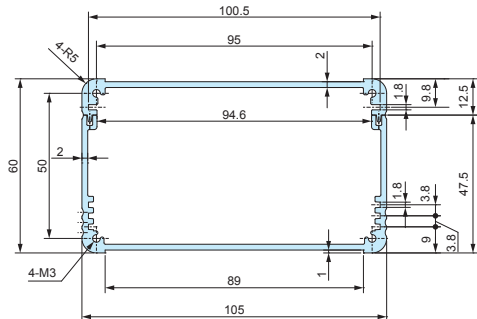
# Profilübersicht Ober- und Unterschale

EXP - EXPE - EXPF - EXEF - EX

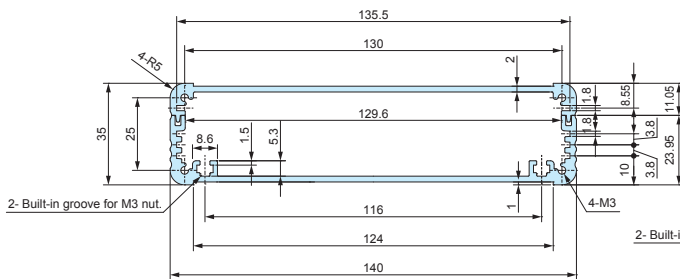
# Cross-section View

EXP - EXPE - EXPF - EXEF - EX top / bottom covers

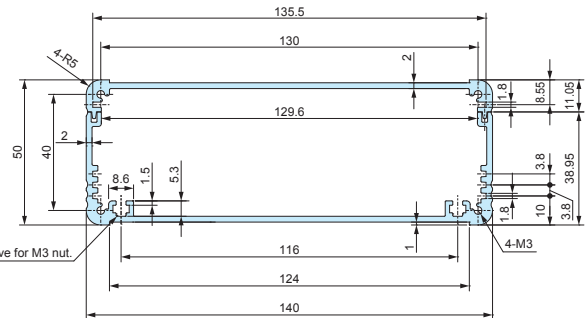
EXP • EXPE12-7-□  
 EXPF • EXEF11-7-□  
 EX11-6-□



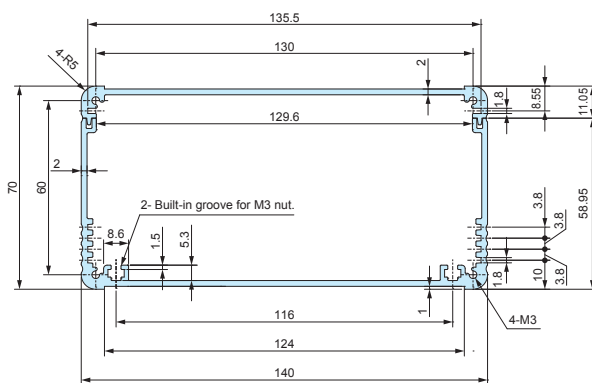
EXP • EXPE • EXPF • EXEF15-5-□  
 EX14-4-□



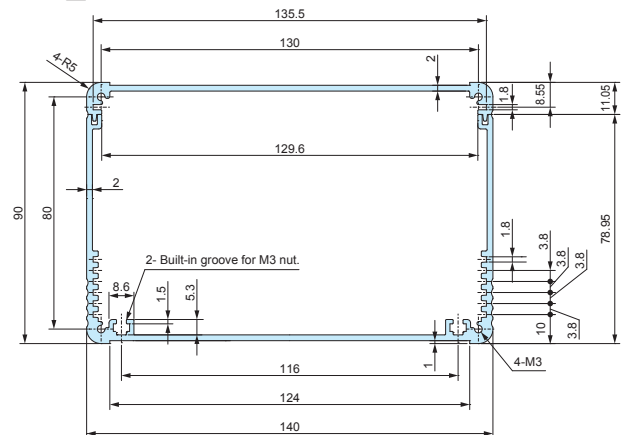
EXP • EXPE • EXPF • EXEF15-6-□  
 EX14-5-□



EXP • EXPE • EXPF • EXEF15-8-□  
 EX14-7-□



EXP • EXPE • EXPF • EXEF15-10-□  
 EX14-9-□

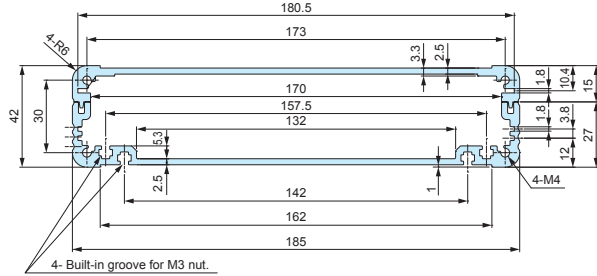




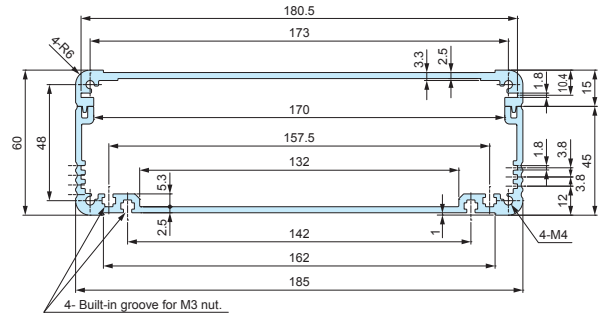
**Profilübersicht** Ober- und Unterschale  
 EXP - EXPE - EXPF - EXEF - EX

**Cross-section View**  
 EXP - EXPE - EXPF - EXEF - EX top / bottom covers

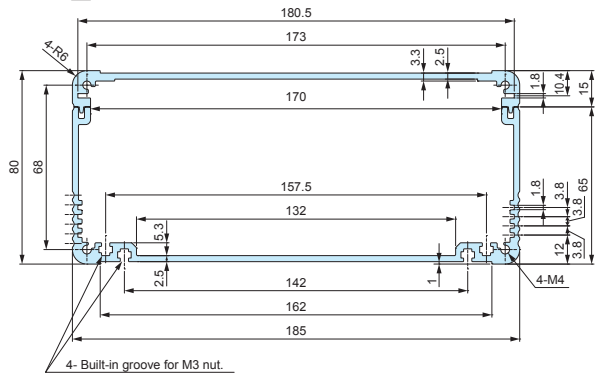
EXP • EXPE • EXPF • EXEF20-6-□  
 EX19-4-□



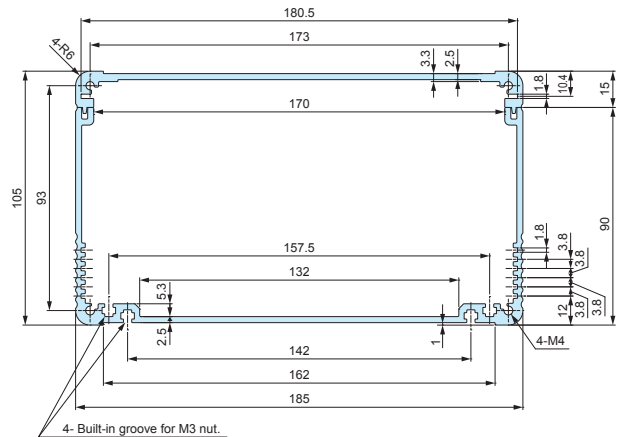
EXP • EXPE20-7-□  
 EXPF • EXEF20-8-□  
 EX19-6-□



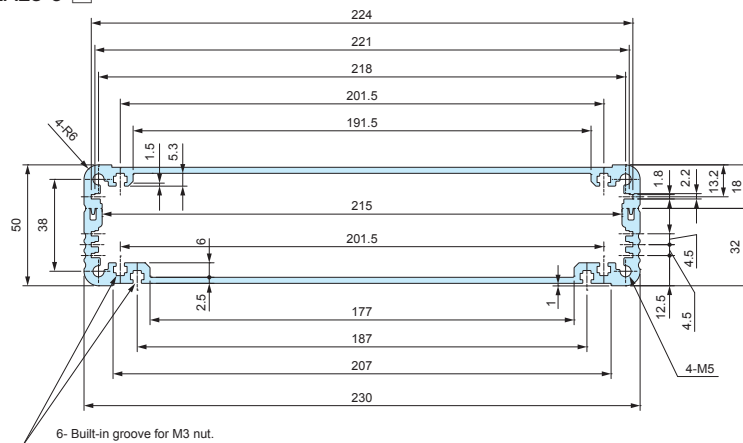
EXP • EXPE20-9-□  
 EXPF • EXEF20-10-□  
 EX19-8-□



EXP • EXPE • EXPF • EXEF20-12-□  
 EX19-11-□



EXP • EXPE24-6-□  
 EXPF • EXEF24-7-□  
 EX23-5-□



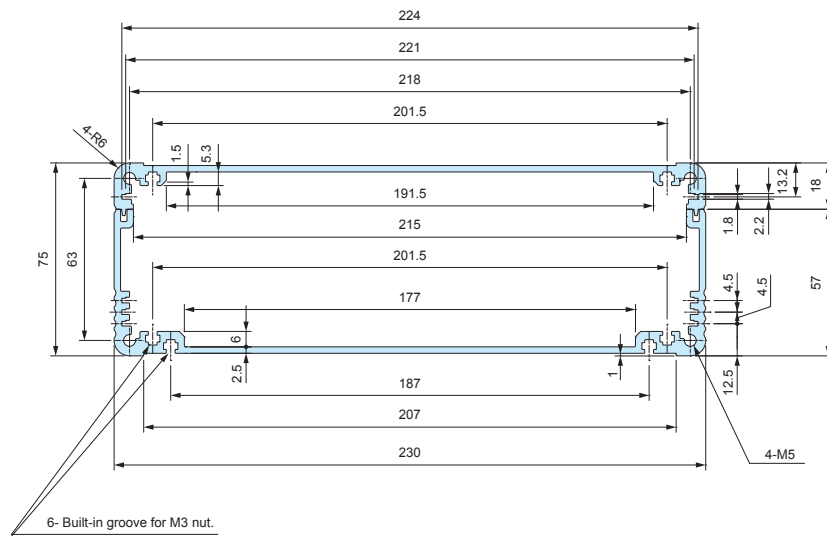
# Profilübersicht Ober- und Unterschale

EXP - EXPE - EXPF - EXEF - EX

# Cross-section View

EXP - EXPE - EXPF - EXEF - EX top / bottom covers

EXP • EXPE • EXPF • EXEF24-9-□  
EX23-8-□



EXP • EXPE24-11-□  
EXPF • EXEF24-12-□  
EX23-10-□

