



Serie PF PF Series



Netzwerk Kunststoffgehäuse Network Plastic Box



Technische Daten

Schutzklasse: IP40
Temperaturbereich: -10°C ~ +60°C

Technical Data

Protection class: IP40
Operating temperature: -10°C ~ +60°C

- Flaches Designergehäuse mit herausnehmbaren Deckelplatten.
- Schwer entflammables ABS UL94V-0 Material verfügbar in weiß und dunkelgrau.
- 22 neue Größen ergeben insgesamt 30 verschiedene Gehäusedimensionen.
- Mit integrierten Befestigungsdomen zur Leiterplattenmontage.
- Geeignet für Wi-Fi access point, wireless LAN, HUB, oder Controller Anwendungen.

- Flat designed plastic case with detachable panels.
- Made of flame-resistant ABS UL94V-0, and available in off-white and dark gray color.
- 22 new sizes added for a total of 30 available sizes.
- Equipped with built-in bosses for PCB mounting.
- Suitable for Wi-Fi access point, measuring equipment, controller or other various applications either desktop or wall mounting and so on.

Komponenten - Components

Nr. No.	Bezeichnung Part name	Stück Pcs	Material	Farbe / Oberfläche Color / Finish
1	Oberschale - Top cover	1	ABS UL94V-0	weiß • dunkelgrau - Off-white • Dark gray
2	Unterschale - Bottom base	1	ABS UL94V-0	weiß • dunkelgrau - Off-white • Dark gray
3	Deckelplatten - Panel	2	ABS UL94V-0	weiß • dunkelgrau - Off-white • Dark gray
4	Schraube - Self tapping screw	4	Stahl - Steel	vernickelt - Nickel plated
5	GummifüÙe - Rubber feet	4	TVP(UL94HB) - Elastomer	dunkelgrau - Dark gray

PF Zubehör (optional erhältlich)

(optional parts) PF Accessories



PCB Montageschraube
PCB mounting screw
Serie EM - EM series



TORX Schraube
TORX screw
Serie MR - MR series



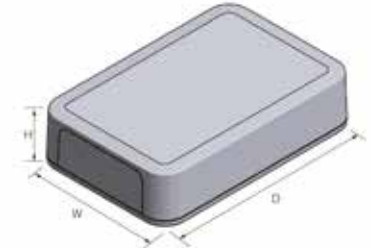
Abstandsbolzen
Tapping standoff
Serie TPS - TPS series



Wandaufhängung
Suspension bracket
Serie WM - WM series



Neodym Magnet
Neodymium magnet



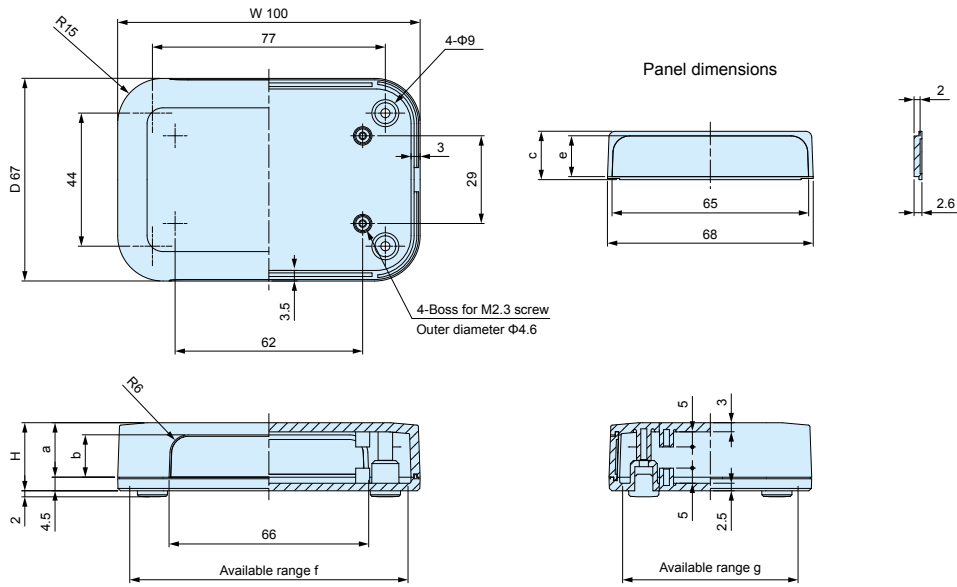
Bestellnummer / Maße Product no. / Dimensions

※ H Dimension ist ohne Gummifuß (Gummifuße = 2mm)
※ H dimension is without rubber feet. (Rubber feet height = 2mm)

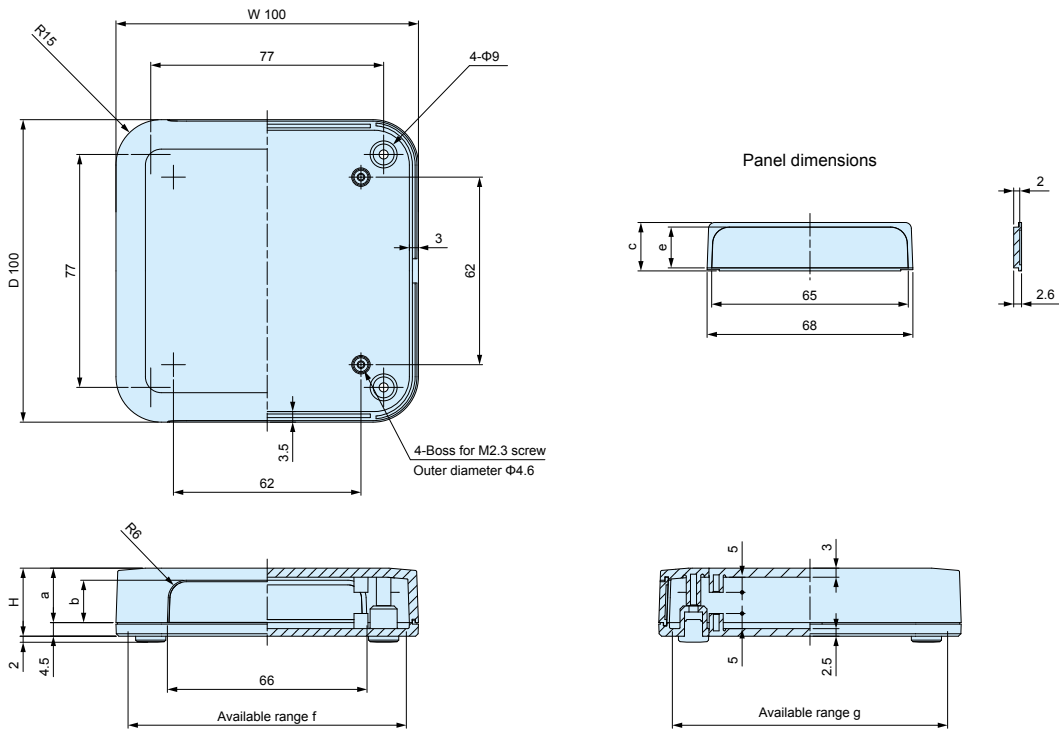
Best.-Nr. - Product no.		Maße - Dimensions			Schraube Screw	Gewicht Weight (g)
● Off-white	● Dark gray	W	H	D		
PF10- 2- 7W	PF10- 2- 7D	100	22.5	67	M2.5-8 x 4 pcs	60
PF10- 2-10W	PF10- 2-10D	100	22.5	100	M2.5-8 x 4 pcs	82.9
PF10- 2-15W	PF10- 2-15D	100	22.5	150	M2.5-8 x 4 pcs	120.2
PF10- 4- 7W	PF10- 4- 7D	100	35	67	M2.5-8 x 4 pcs	65
PF10- 4-10W	PF10- 4-10D	100	35	100	M2.5-8 x 4 pcs	97.1
PF10- 4-15W	PF10- 4-15D	100	35	150	M2.5-8 x 4 pcs	132.6
PF10- 6-15W	PF10- 6-15D	100	55	150	M2.5-8 x 4 pcs	169.1
PF13- 3- 9W	PF13- 3- 9D	125	25	85	M2.5-8 x 4 pcs	90.8
PF13- 3-13W	PF13- 3-13D	125	25	125	M2.5-8 x 4 pcs	127.5
PF13- 3-19W	PF13- 3-19D	125	25	190	M2.5-8 x 4 pcs	186.8
PF13- 4- 9W	PF13- 4- 9D	125	40	85	M2.5-8 x 4 pcs	108.4
PF13- 4-13W	PF13- 4-13D	125	40	125	M2.5-8 x 4 pcs	151.4
PF13- 4-19W	PF13- 4-19D	125	40	190	M2.5-8 x 4 pcs	214.9
PF13- 6-19W	PF13- 6-19D	125	60	190	M2.5-8 x 4 pcs	250.4
PF15- 3-10W	PF15- 3-10D	150	30	100	M2.5-8 x 4 pcs	145.5
PF15- 3-15W	PF15- 3-15D	150	30	150	M2.5-8 x 4 pcs	207.5
PF15- 5-10W	PF15- 5-10D	150	45	100	M2.5-8 x 4 pcs	166
PF15- 5-15W	PF15- 5-15D	150	45	150	M2.5-8 x 4 pcs	233.5
PF18- 4-12W	PF18- 4-12D	175	35	120	M2.5-8 x 4 pcs	188.7
PF18- 4-18W	PF18- 4-18D	175	35	175	M2.5-8 x 4 pcs	266.8
PF18- 5-12W	PF18- 5-12D	175	50	120	M2.5-8 x 4 pcs	213.6
PF18- 5-18W	PF18- 5-18D	175	50	175	M2.5-8 x 4 pcs	302.1
PF20- 4-13W	PF20- 4-13D	200	40	135	M3-8 x 4 pcs	264
PF20- 4-20W	PF20- 4-20D	200	40	200	M3-8 x 4 pcs	368.5
PF20- 6-13W	PF20- 6-13D	200	60	135	M3-8 x 4 pcs	302.5
PF20- 6-20W	PF20- 6-20D	200	60	200	M3-8 x 4 pcs	417
PF24- 4-17W	PF24- 4-17D	240	42.5	165	M3-8 x 4 pcs	370.4
PF24- 4-24W	PF24- 4-24D	240	42.5	240	M3-8 x 4 pcs	521.4
PF24- 6-17W	PF24- 6-17D	240	60	165	M3-8 x 4 pcs	408.8
PF24- 6-24W	PF24- 6-24D	240	60	240	M3-8 x 4 pcs	568.7
NEW PF28- 5-20W	NEW PF28- 5-20D	280	45	200	M3-8 x 4 pcs	536.9
NEW PF28- 7-20W	NEW PF28- 7-20D	280	65	200	M3-8 x 4 pcs	601.1
NEW PF28- 9-20W	NEW PF28- 9-20D	280	90	200	M3-8 x 4 pcs	677.6
NEW PF32- 5-23W	NEW PF32- 5-23D	320	45	225	M3-8 x 4 pcs	681.1
NEW PF32- 7-23W	NEW PF32- 7-23D	320	70	225	M3-8 x 4 pcs	764.4
NEW PF32-10-23W	NEW PF32-10-23D	320	100	225	M3-8 x 4 pcs	859.4

PF Maße

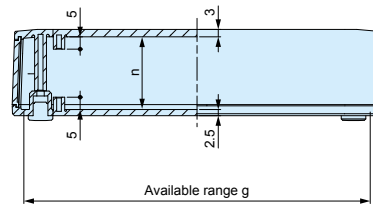
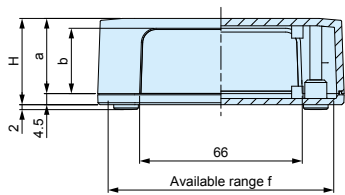
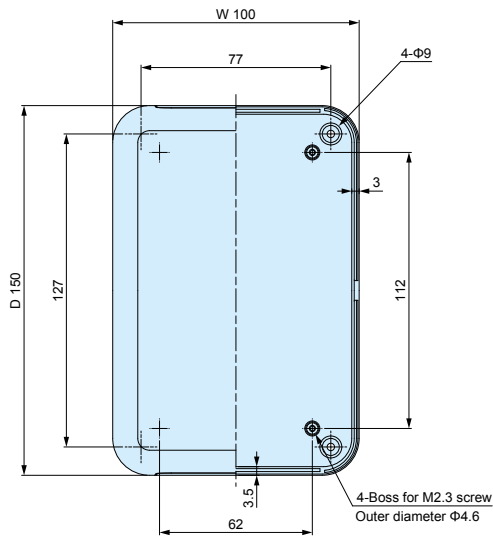
PF Dimensions



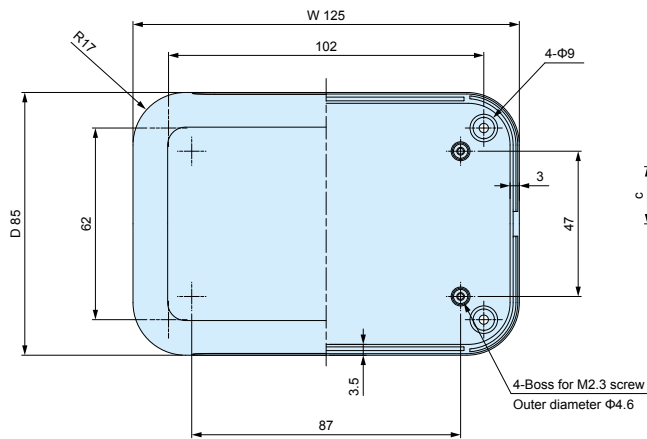
Best-Nr. Product no.	W	H	D	a	b	c	e	f	g
PF10-2-7□	100	22.5	67	18	14	16	13.5	92	58
PF10-4-7□	100	35	67	30.5	26.5	28.5	26	91	57



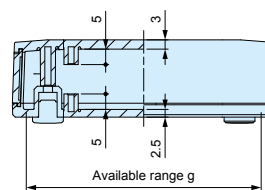
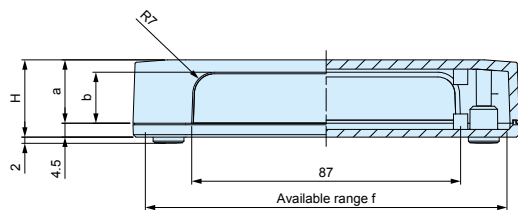
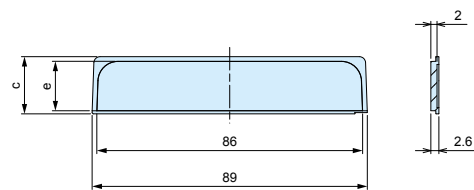
Best-Nr. Product no.	W	H	D	a	b	c	e	f	g
PF10-2-10□	100	22.5	100	18	14	16	13.5	92	91
PF10-4-10□	100	35	100	30.5	26.5	28.5	26	91	90



Best-Nr. Product no.	W	H	D	a	b	c	e	f	g
PF10-2-15□	100	22.5	150	18	14	16	13.5	92	141
PF10-4-15□	100	35	150	30.5	26.5	28.5	26	91	140
PF10-6-15□	100	55	150	50.5	46.5	48.5	46	90	139



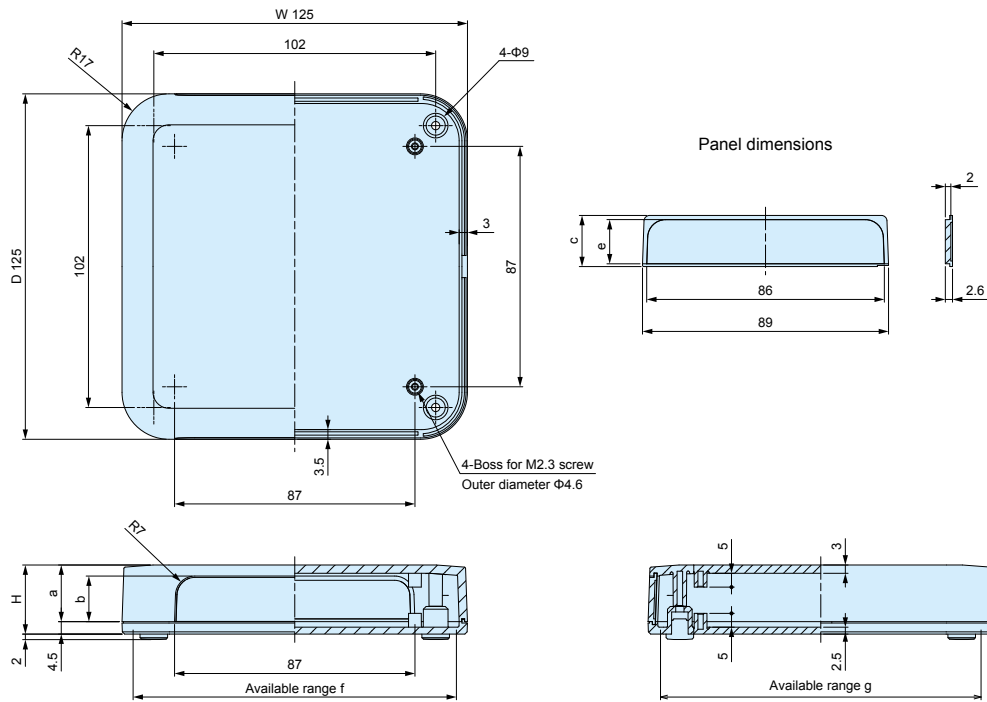
Panel dimensions



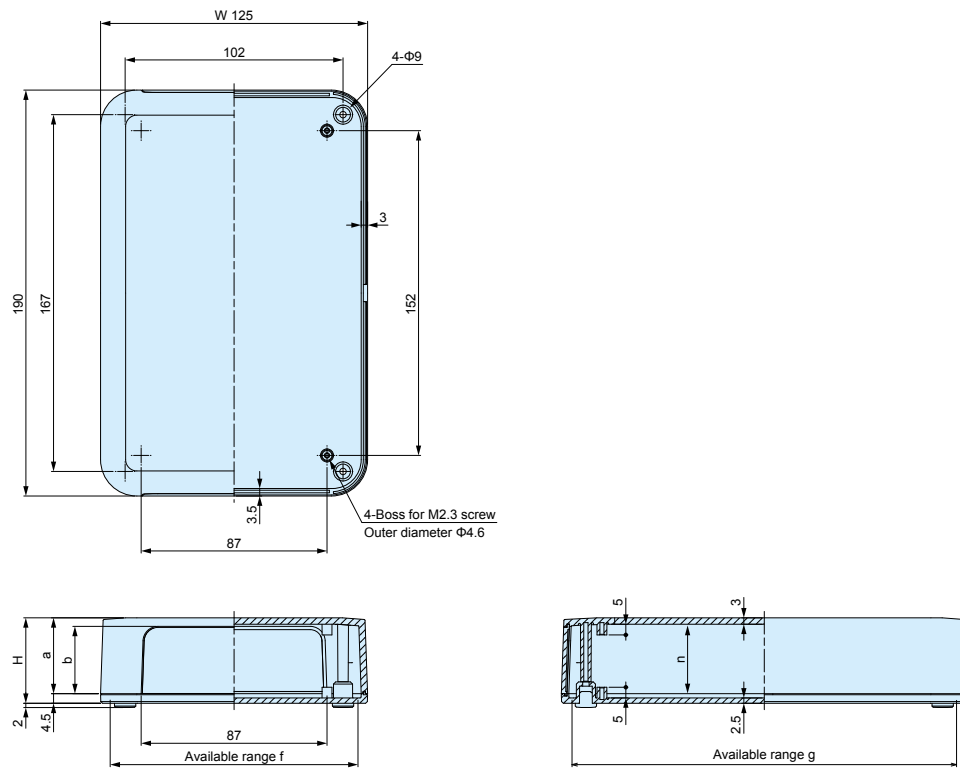
Best-Nr. Product no.	W	H	D	a	b	c	e	f	g
PF13-3-9□	125	25	85	20.5	16.5	18.5	16	117	76
PF13-4-9□	125	40	85	35.5	31.5	33.5	31	116	75

PF Maße

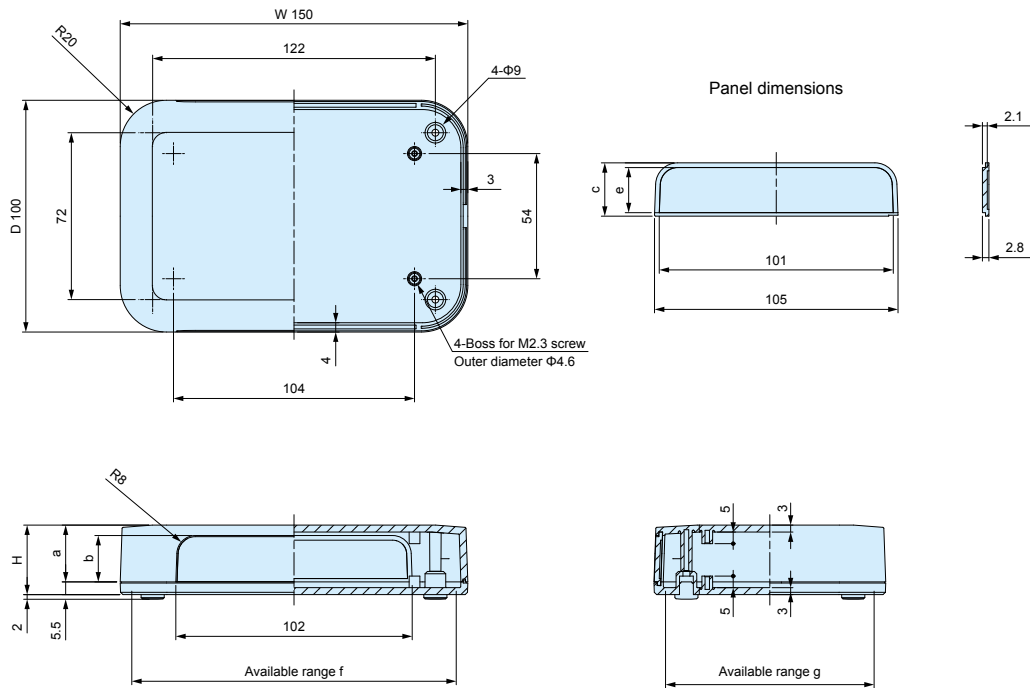
PF Dimensions



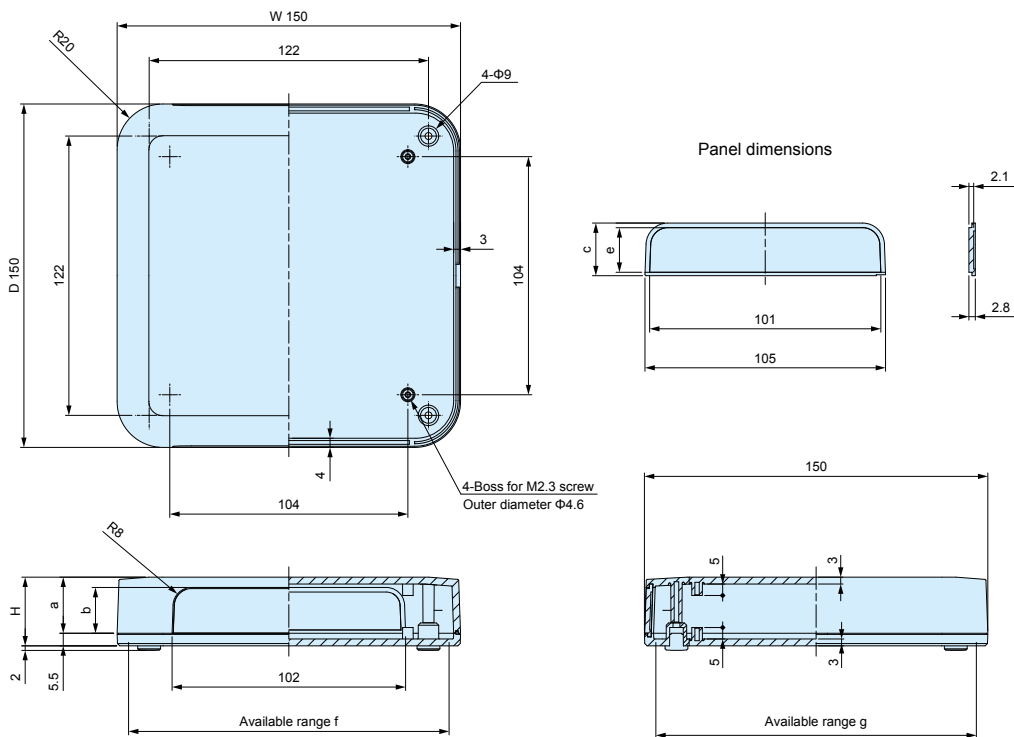
Best-Nr. Product no.	W	H	D	a	b	c	e	f	g
PF13-3-13□	125	25	125	20.5	16.5	18.5	16	117	116
PF13-4-13□	125	40	125	35.5	31.5	33.5	31	116	115



Best-Nr. Product no.	W	H	D	a	b	c	e	f	g
PF13-3-19□	125	25	190	20.5	16.5	18.5	16	117	181
PF13-4-19□	125	40	190	35.5	31.5	33.5	31	116	180
PF13-6-19□	125	60	190	55.5	51.5	53.5	51	115	179



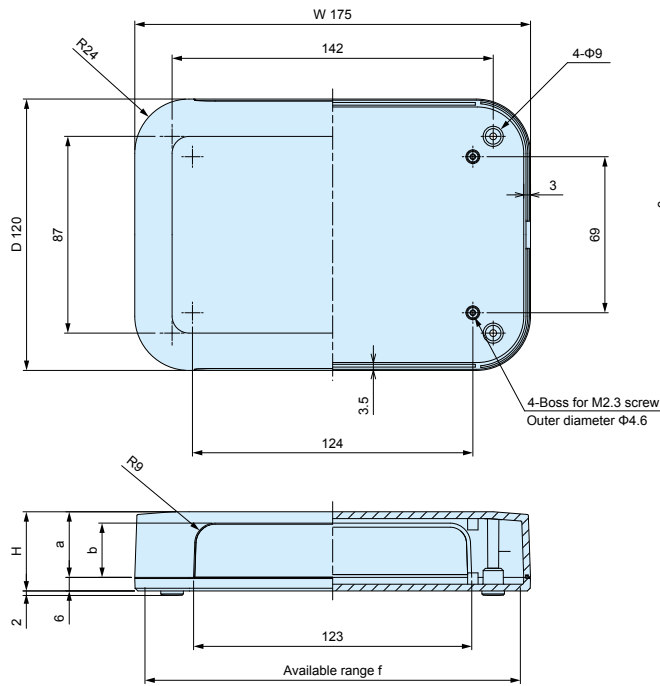
Best-Nr. Product no.	W	H	D	a	b	c	e	f	g
PF15-3-10 □	150	30	100	24.5	20	23	19.5	142	90
PF15-5-10 □	150	45	100	39.5	35	38	34.5	141	89



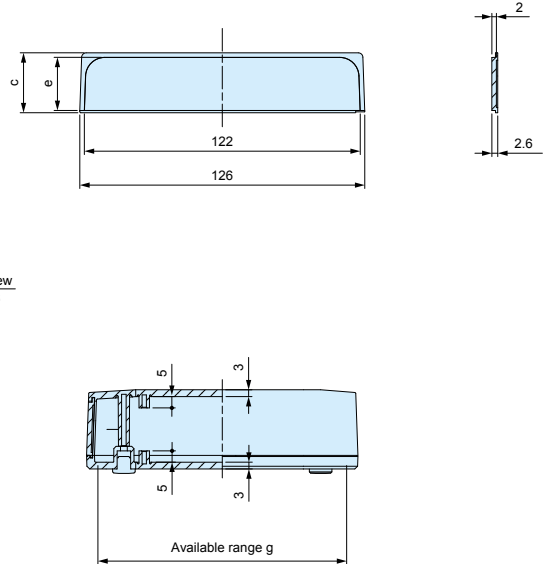
Best-Nr. Product no.	W	H	D	a	b	c	e	f	g
PF15-3-15 □	150	30	150	24.5	20	23	19.5	142	140
PF15-5-15 □	150	45	150	45	39.5	38	34.5	141	139

PF Maße

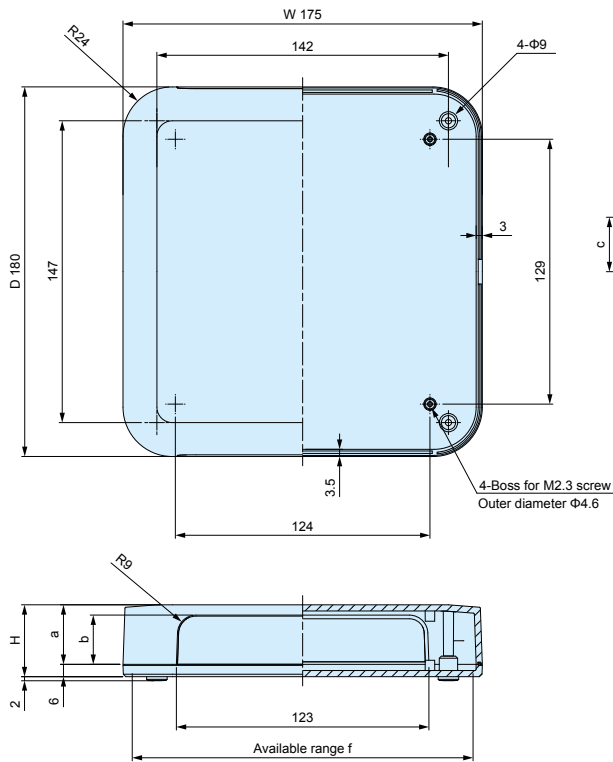
PF Dimensions



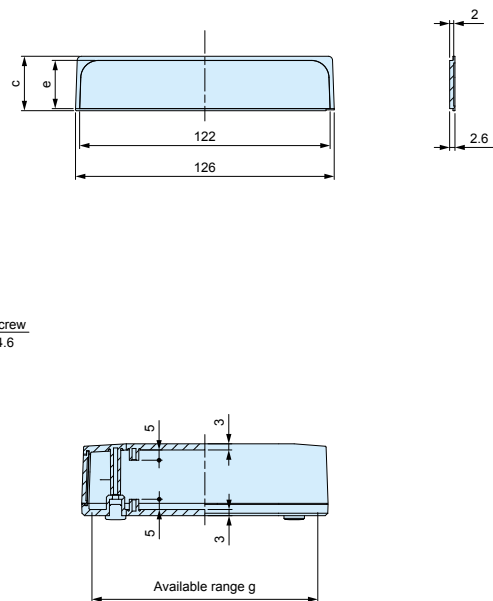
Panel dimensions



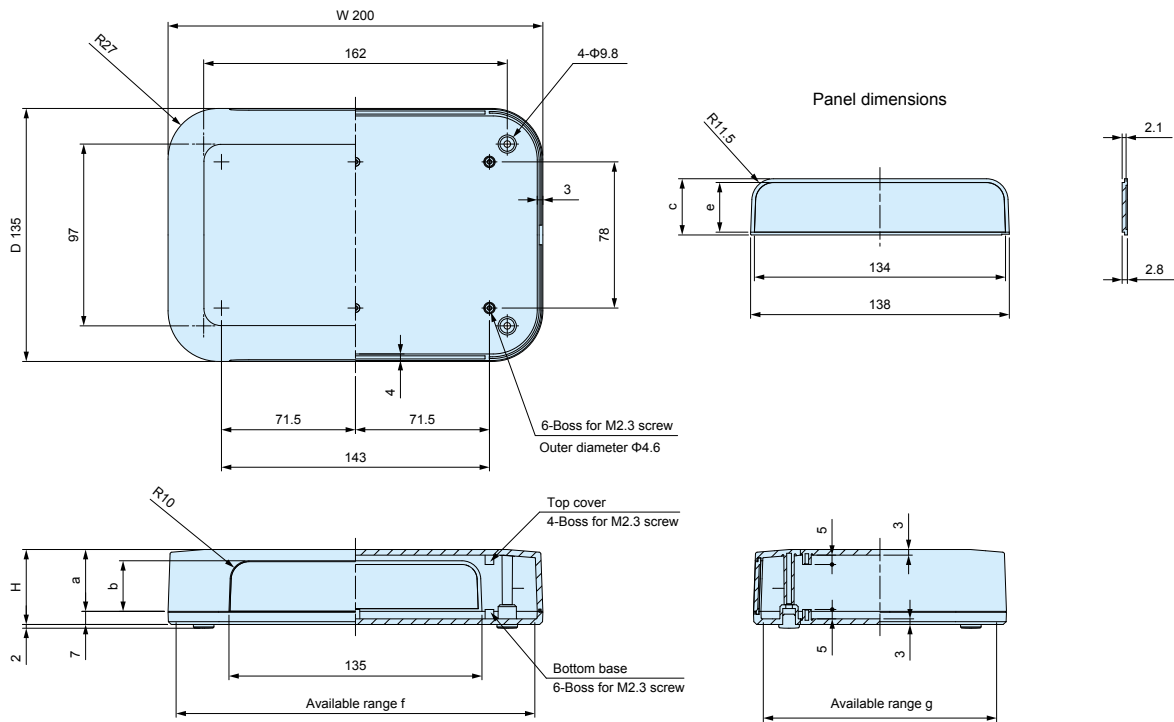
Best-Nr. Product no.	W	H	D	a	b	c	e	f	g
PF18-4-12□	175	35	120	29	24	26.5	23.5	166	110
PF18-5-12□	175	50	120	29	24	41.5	38.5	165	109



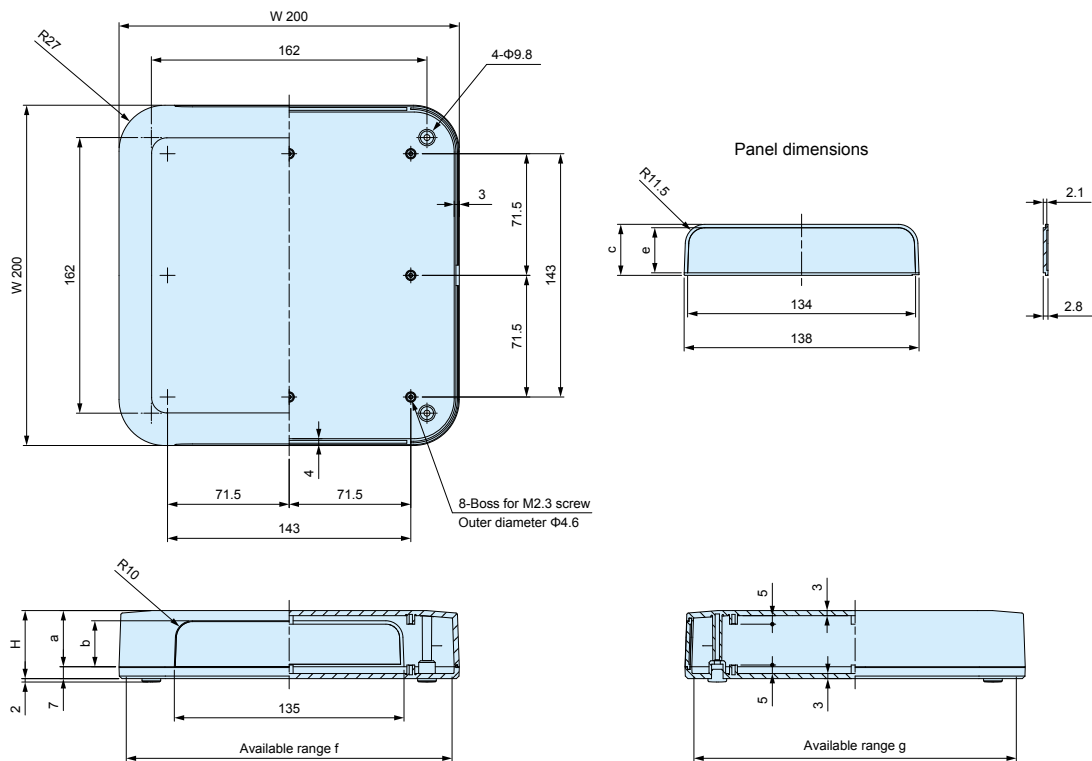
Panel dimensions



Best-Nr. Product no.	W	H	D	a	b	c	e	f	g
PF18-4-18□	175	35	175	29	24	26.5	23.5	166	165
PF18-5-18□	175	50	175	44	39	41.5	38.5	165	164



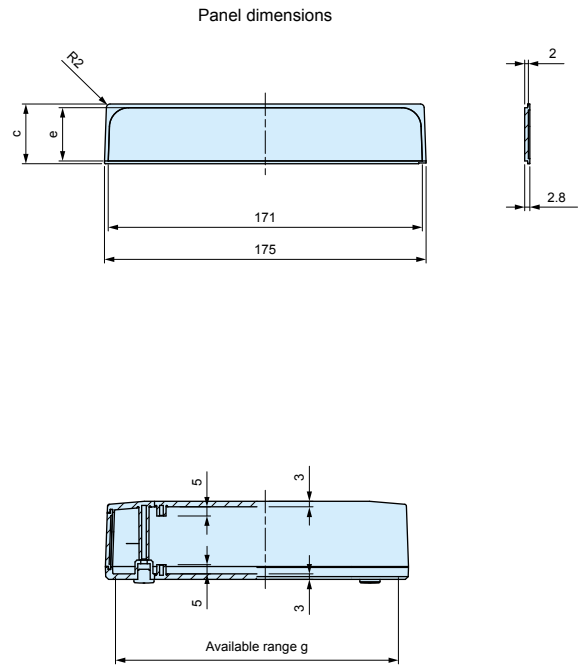
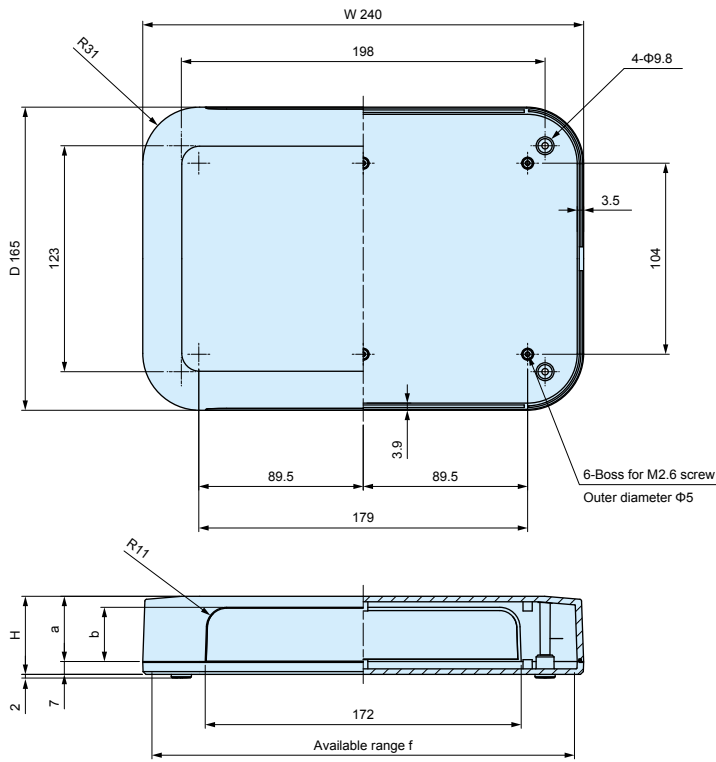
Best-Nr. Product no.	W	H	D	a	b	c	e	f	g
PF20-4-13□	200	40	135	33	27	30	26.5	191.5	124.5
PF20-6-13□	200	60	135	53	47	50	46.5	190	123



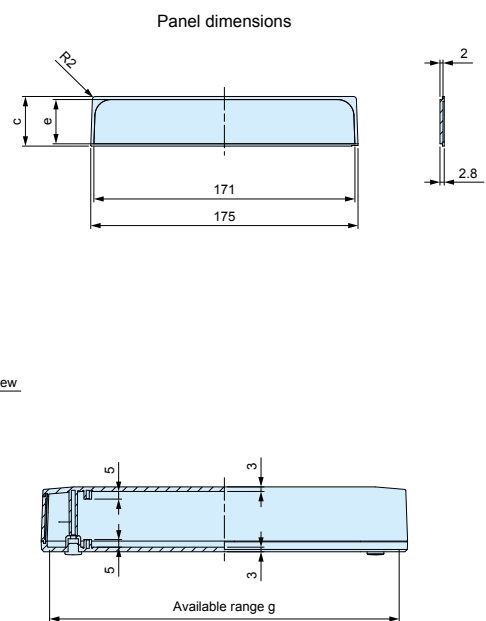
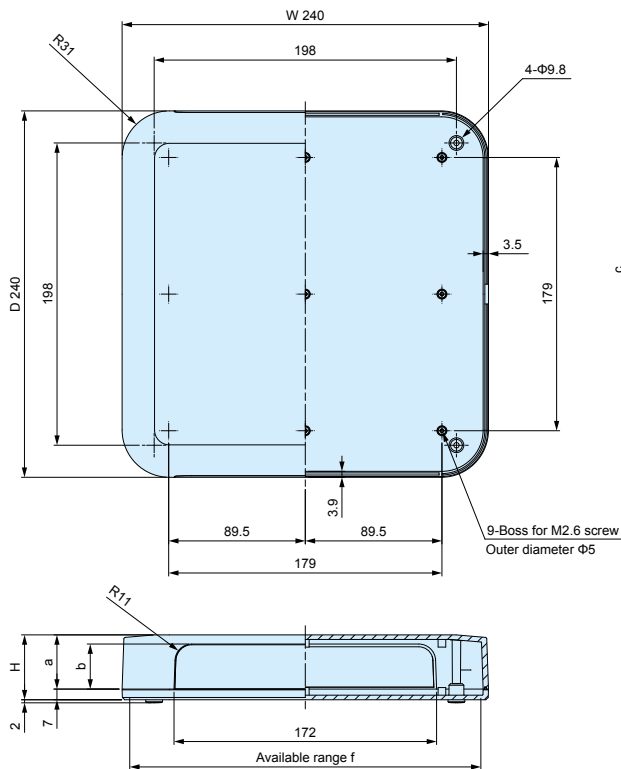
Best-Nr. Product no.	W	H	D	a	b	c	e	f	g
PF20-4-20□	200	40	200	33	27	30	26.5	191.5	189.5
PF20-6-20□	200	60	200	53	47	50	46.5	190	188

PF Maße

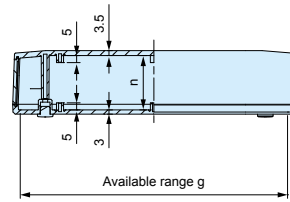
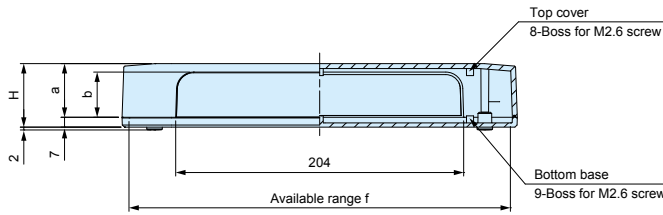
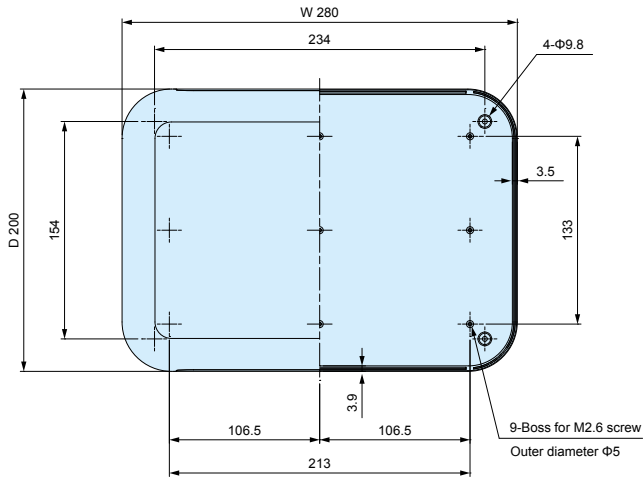
PF Dimensions



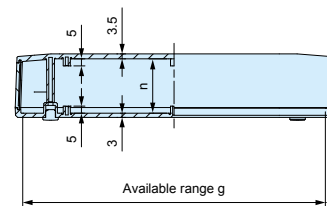
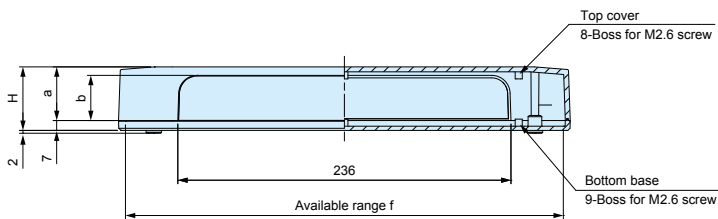
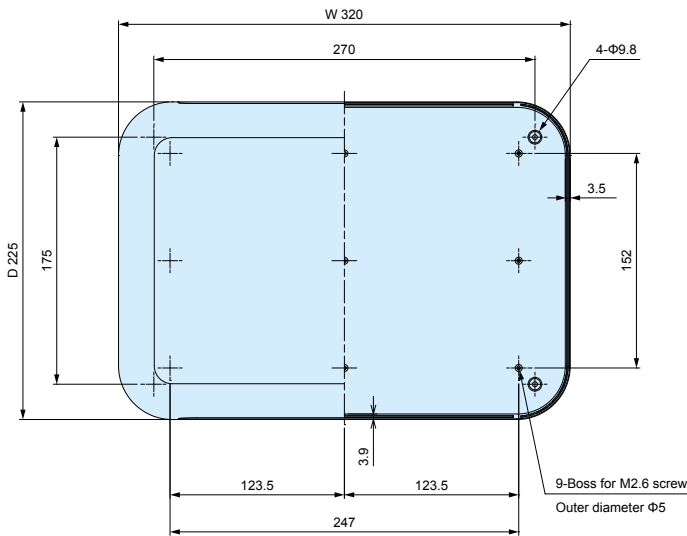
Best-Nr. Product no.	W	H	D	a	b	c	e	f	g
PF24-4-17□	240	42.5	165	35.5	29.5	32.5	29	230	154
PF24-6-17□	240	60	165	53	47	50	46.5	229	153



Best-Nr. Product no.	W	H	D	a	b	c	e	f	g
PF24-4-24□	240	42.5	240	35.5	29.5	32.5	29	230	229
PF24-6-24□	240	60	240	53	47	50	46.5	229	228



Best-Nr. Product no.	W	H	D	a	b	f	g	n
PF28-5-20□	280	45	200	38	32	269.5	189	38.5
PF28-7-20□	280	65	200	58	50	268.5	187.5	58.5
PF28-9-20□	280	90	200	83	75	266.5	185.5	83.5



Best-Nr. Product no.	W	H	D	a	b	f	g	n
PF32- 5-23□	320	45	225	38	32	309.5	214	38.5
PF32- 7-23□	320	70	225	63	57	308	212	63.5
PF32-10-23□	320	100	225	93	87	306	210	93.5

Serie PFE EMV geschirmtes Kunststoffgehäuse

PFE Series EMC shielded plastic box



- Serie PFE ist eine EMV abgeschirmte Version des Netzkunststoffgehäuses, Serie PF. Innenseitig beschichtet mit DOTITE leitfähiger Farbe (mit leitfähigen Nickelpartikeln).
- Flaches Designgehäuse mit herausnehmbaren Deckelplatten.
- Schwerentflammables ABS UL94V-0.
- Mit integrierten Befestigungsdomen zur Leiterplattenmontage.
- Geeignet für Wi-Fi access point, wireless LAN, HUB, oder Controller-Anwendungen.

- PFE series is an EMC shielded version of the PF series network plastic box coated internally with DOTITE conductive paint (acrylic paint mixed with nickel filler).
- Flat designed plastic case with detachable panels.
- Made of flame-resistant ABS UL94V-0.
- Equipped with built-in bosses for PCB mounting.
- Suitable for Wi-Fi access point, measuring equipment, controller or various other applications for desktop, wall mounting use and so on.

Technische Daten

Schutzklasse: IP40
Temperaturbereich: -10°C ~ +60°C

Inkl. Schrauben
PFE20-4-13 Version : M3-8 x 4 Stück
PFE andere Version : M2.5-8 x 4 Stück

Technical Data

Protection class: IP40
Operating temperature: -10°C ~ +60°C

Included screws
PFE20-4-13 model : M3-8 x 4 pcs
PFE other models : M2.5-8 x 4 pcs

Einzelteile - Components

No.	Best.-Nr. - Part name	Stück - Pcs	Material	Farbe / Oberfläche - Color / Finish	Leitfähige Farbe - Conductive paint
1	Oberschale - Top cover	1	ABS UL94V-0	Weiß - Off-white	DOTITE
2	Unterschale - Bottom base	1	ABS UL94V-0	Weiß - Off-white	DOTITE
3	Deckelplatten - Panel	2	ABS UL94V-0	Weiß - Off-white	DOTITE
4	Schraube Self - tapping screw	4	Stahl - Steel	Vernickelt - Nickel plated	-
5	GummifüÙe - Rubber feet	4	Elastomer	Dunkelgrau - Dark gray	-

Zubehör (optional erhältlich) - Accessories (optional parts)



Aufstellfuß - Tilt leg
TLW series



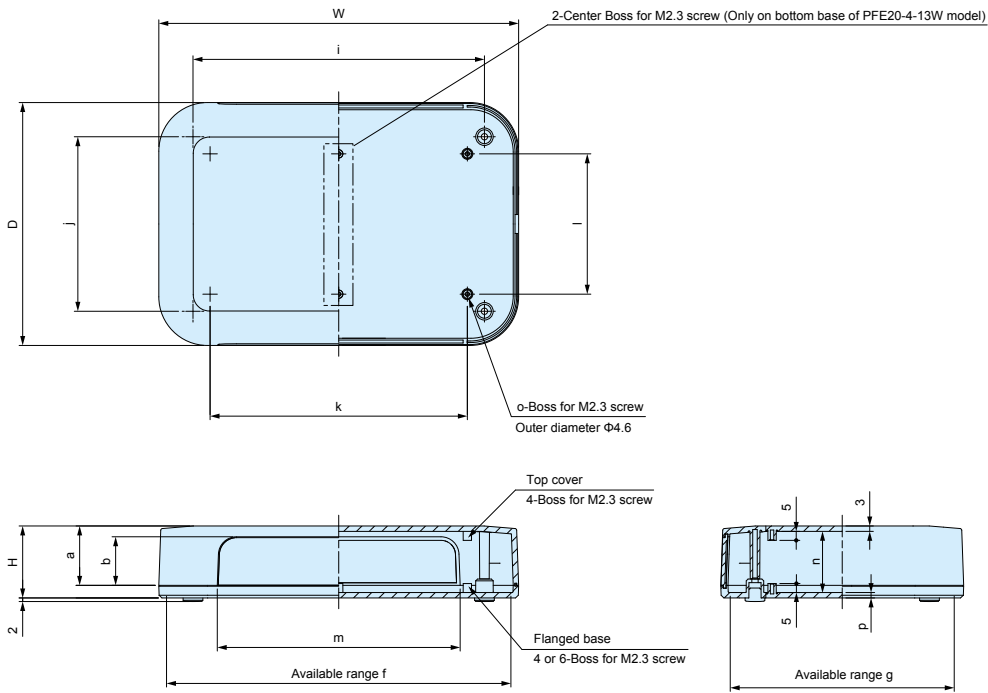
PCB Montageschraube
PCB mounting screw
EM series



Abstandsbolzen
Tapping standoff
TPS series

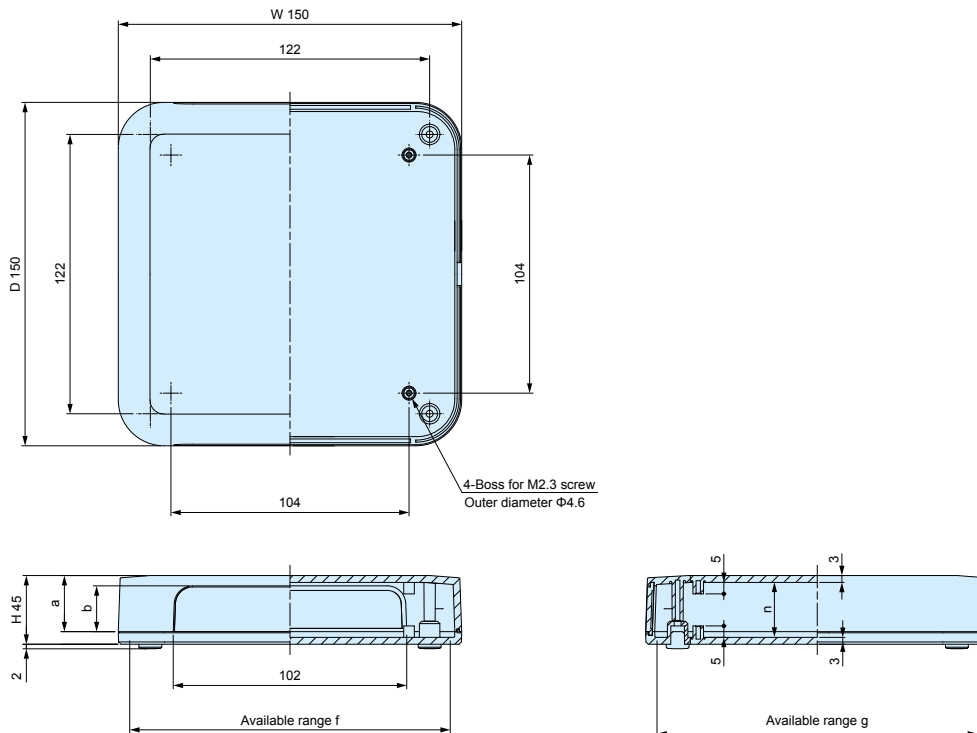


Wandaufhängung
Suspension bracket
WM series



Best.-Nr. / Maße - Product no. / Dimensions

Best.-Nr. - Product no.	Maße - Dimensions															Gewicht Weight (g)
● Off-white	W	H	D	a	b	f	g	i	j	k	l	m	n	o	p	
PFE13-4- 9W	125	40	85	35.5	31.5	116	75	102	62	87	47	87	34.5	4	2.5	114.0
PFE15-3-10W	150	30	100	24.5	20	142	90	122	72	104	54	102	24	4	3	152.0
PFE20-4-13W	200	40	135	33	27	191.5	124.5	162	97	143	78	135	34	6	3	274.5



Best.-Nr. / Maße - Product no. / Dimensions

Best.-Nr. - Product no.	Maße - Dimensions									Gewicht Weight (g)
● Off-white	W	H	D	a	b	f	g	n		
PFE15-5-15W	150	45	150	39.5	35	141	139	39	244.5	



Serie PFF PFF Series



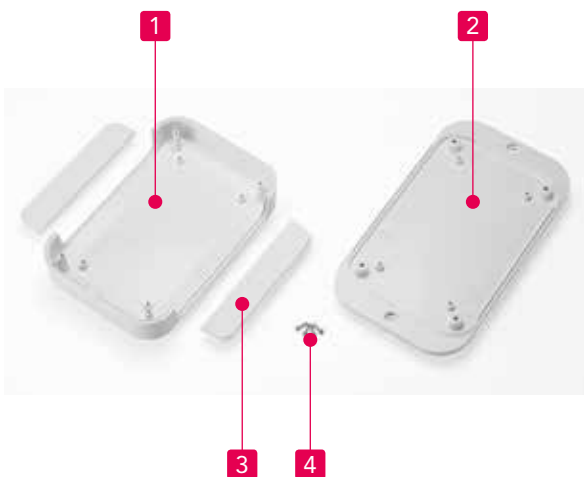
Netzwerk Kunststoffgehäuse zur Wandbefestigung Flanged Network Plastic Box

Technische Daten

Schutzklasse: IP40
Temperaturbereich: -10°C ~ +60°C

Technical Data

Protection class: IP40
Operating temperature: -10°C ~ +60°C



- Neues PF Kunststoffgehäuse mit Befestigungsflansch zur Wandmontage.
- Aus schwer entflammarem Material ABS UL94V-0.
- 24 verschiedene Größen erhältlich.
- Mit integrierten Befestigungsdomen zur Leiterplattenmontage.
- Geeignet für Wi-Fi access point, wireless LAN, HUB, oder Controller Anwendungen.
- New PF plastic case with wall mounting flange bottom design.
- Made of flame-resistant ABS UL94V-0 and available in off-white color.
- 24 different sizes available for selection.
- Equipped with built-in bosses for PCB mounting.
- Suitable for Wi-Fi access point, wireless LAN, HUB, controller or other applications.

Komponenten - Components

Nr. No.	Bezeichnung Part name	Stück Pcs	Material	Farbe Color / Finish
1	Oberschale - Top cover	1	ABS UL94V-0	weiß - Off-white
2	Unterschale mit Befestigungsflansch - Flanged base	1	ABS UL94V-0	weiß - Off-white
3	Frontplatten - Panel	2	ABS UL94V-0	weiß - Off-white
4	Schraube - Self tapping screw	4	Stahl - Steel	vernickelt - Nickel plated

PFF Zubehör (optional erhältlich)

(optional parts) PFF Accessories



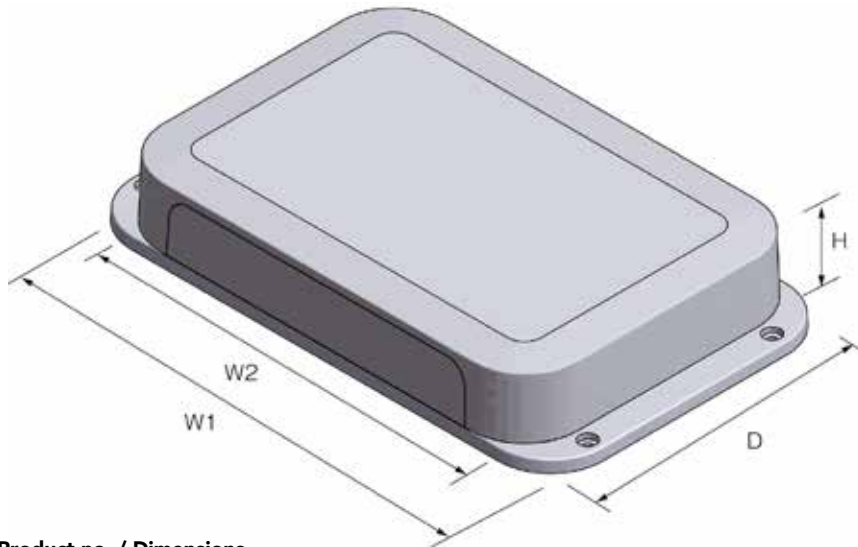
PCB Montageschraube
PCB mounting screw
Serie EM - EM series



TORX Schraube
TORX screw
Serie MR - MR series



Abstandsbolzen
Tapping standoff
Serie TPS - TPS series

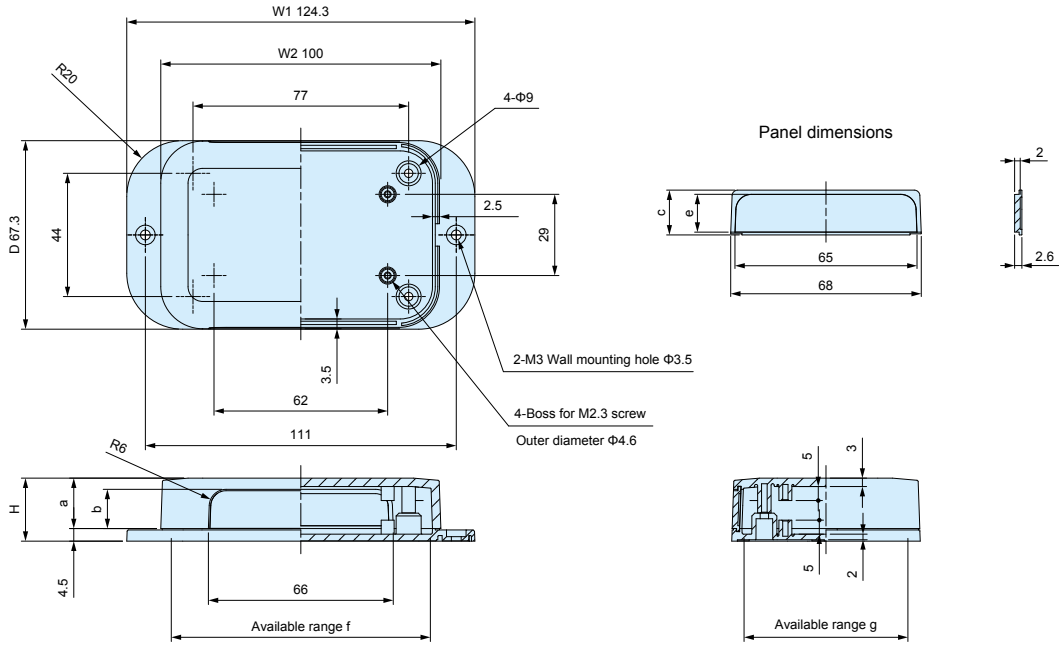


Bestellnummer / Maße - Product no. / Dimensions

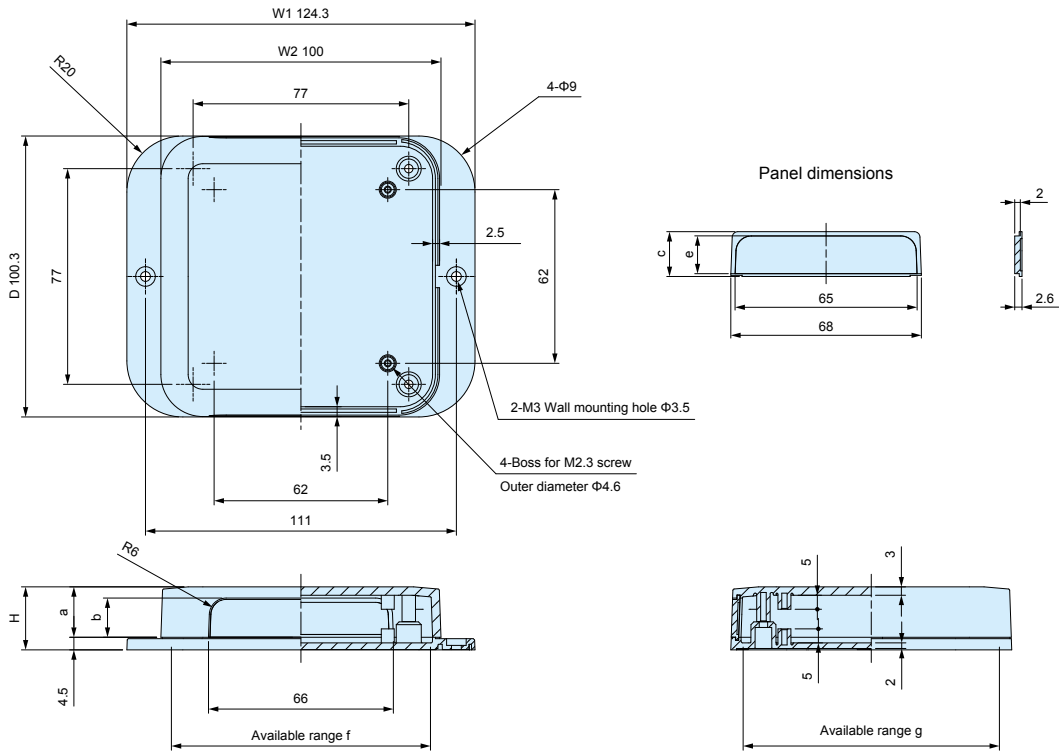
Best.-Nr. - Product no.	Maße - Dimensions				Schraube Screw	Gewicht Weight (g)
	W1	W2	H	D		
● Off-white						
PFF10- 2- 7W	124.3	100	22.5	67.3	M2.5-8 x 4 pcs	60.8
PFF10- 2-10W	124.3	100	22.5	100.3	M2.5-8 x 4 pcs	84.6
PFF10- 4- 7W	124.3	100	35	67.3	M2.5-8 x 4 pcs	72
PFF10- 4-10W	124.3	100	35	100.3	M2.5-8 x 4 pcs	99.1
PFF13- 3- 9W	149.3	125	25	85.3	M2.5-8 x 4 pcs	90.8
PFF13- 3-13W	155.3	125	25	125.3	M2.5-8 x 4 pcs	128.6
PFF13- 4- 9W	149.3	125	40	85.3	M2.5-8 x 4 pcs	108.4
PFF13- 4-13W	155.3	125	40	125.3	M2.5-8 x 4 pcs	152.3
PFF15- 3-10W	180.4	150	30	100.4	M2.5-8 x 4 pcs	145.2
PFF15- 3-15W	180.4	150	30	150.4	M2.5-8 x 4 pcs	211.3
PFF15- 5-10W	180.4	150	45	100.4	M2.5-8 x 4 pcs	168.6
PFF15- 5-15W	180.4	150	45	150.4	M2.5-8 x 4 pcs	235
PFF18- 4-12W	205.4	175	35	120.4	M2.5-8 x 4 pcs	192.1
PFF18- 4-18W	205.4	175	35	175.4	M2.5-8 x 4 pcs	209.8
PFF18- 5-12W	205.4	175	50	120.4	M2.5-8 x 4 pcs	215.8
PFF18- 5-18W	205.4	175	50	175.4	M2.5-8 x 4 pcs	299.7
PFF20- 4-13W	230.5	200	40	135.5	M3-8 x 4 pcs	267.7
PFF20- 4-20W	230.5	200	40	200.5	M3-8 x 4 pcs	376
PFF20- 6-13W	230.5	200	60	135.5	M3-8 x 4 pcs	309.7
PFF20- 6-20W	230.5	200	60	200.5	M3-8 x 4 pcs	422.9
PFF24- 4-17W	270.5	240	42.5	165.5	M3-8 x 4 pcs	366.9
PFF24- 4-24W	270.5	240	42.5	240.5	M3-8 x 4 pcs	513.5
PFF24- 6-17W	270.5	240	60	165.5	M3-8 x 4 pcs	403.8
PFF24- 6-24W	270.5	240	60	240.5	M3-8 x 4 pcs	560.8
NEW PFF28- 5-20W	310.5	280	45	200.5	M3-8 x 4 pcs	529
NEW PFF28- 7-20W	310.5	280	65	200.5	M3-8 x 4 pcs	593.4
NEW PFF28- 9-20W	310.5	280	90	200.5	M3-8 x 4 pcs	667.6
NEW PFF32- 5-23W	350.5	320	45	225.5	M3-8 x 4 pcs	665.7
NEW PFF32- 7-23W	350.5	320	70	225.5	M3-8 x 4 pcs	748
NEW PFF32-10-23W	350.5	320	100	225.5	M3-8 x 4 pcs	843.3

PFF Maße

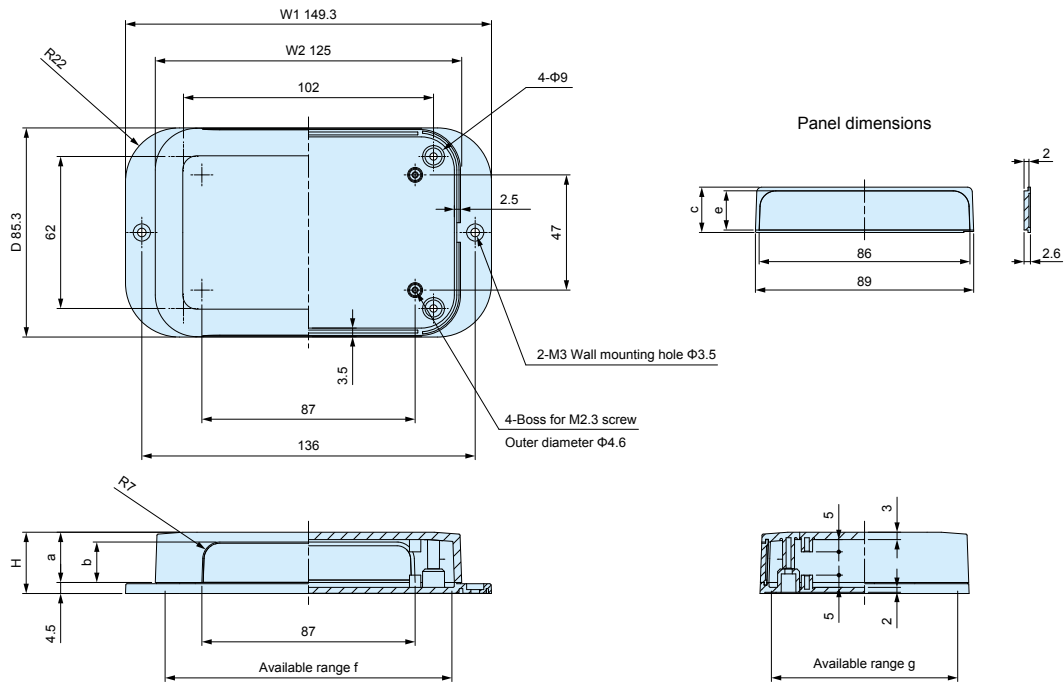
PFF Dimensions



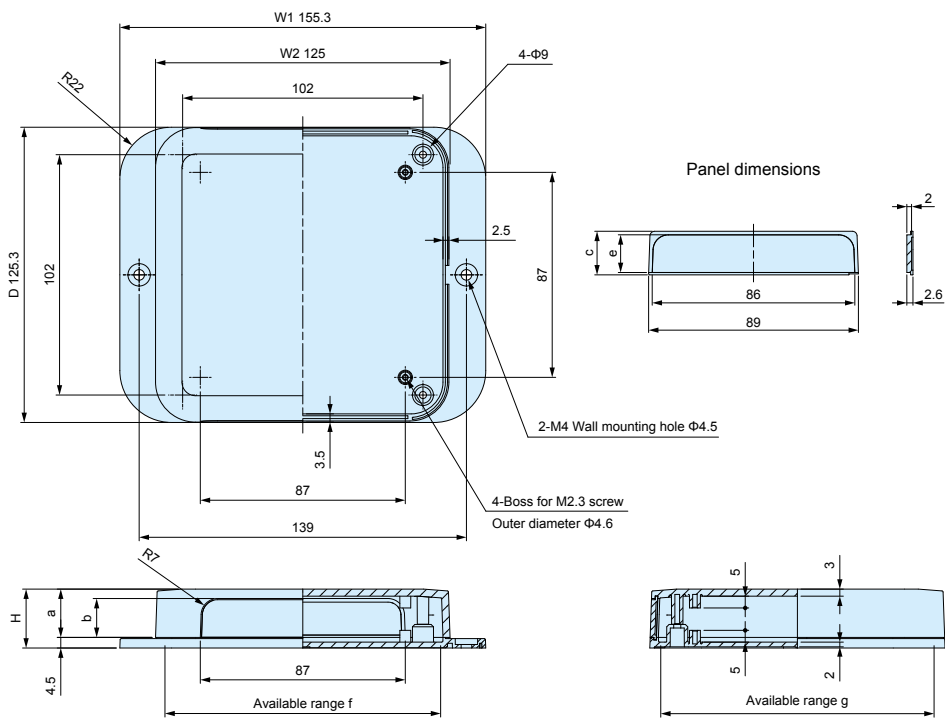
Best-Nr. Product no.	W1	W2	H	D	a	b	c	e	f	g
PFF10-2-7W	124.3	100	22.5	67.3	18	14	16	13.5	92	58
PFF10-4-7W	124.3	100	35	67.3	30.5	26.5	28.5	26	91	57



Best-Nr. Product no.	W1	W2	H	D	a	b	c	e	f	g
PFF10-2-10W	124.3	100	22.5	100.3	18	14	16	13.5	92	91
PFF10-4-10W	124.3	100	35	100.3	30.5	26.5	28.5	26	91	90



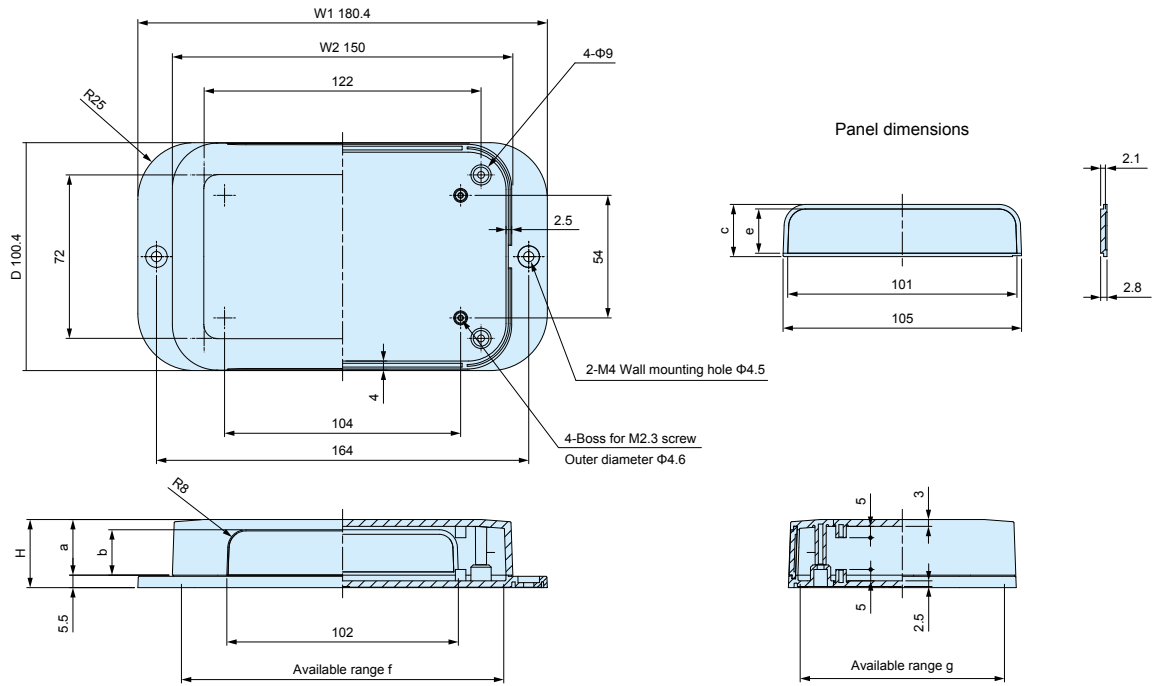
Best-Nr. Product no.	W1	W2	H	D	a	b	c	e	f	g
PFF13-3-9W	149.3	125	25	85.3	20.5	16.5	18.5	16	117	76
PFF13-4-9W	149.3	125	40	85.3	35.5	31.5	33.5	31	116	75



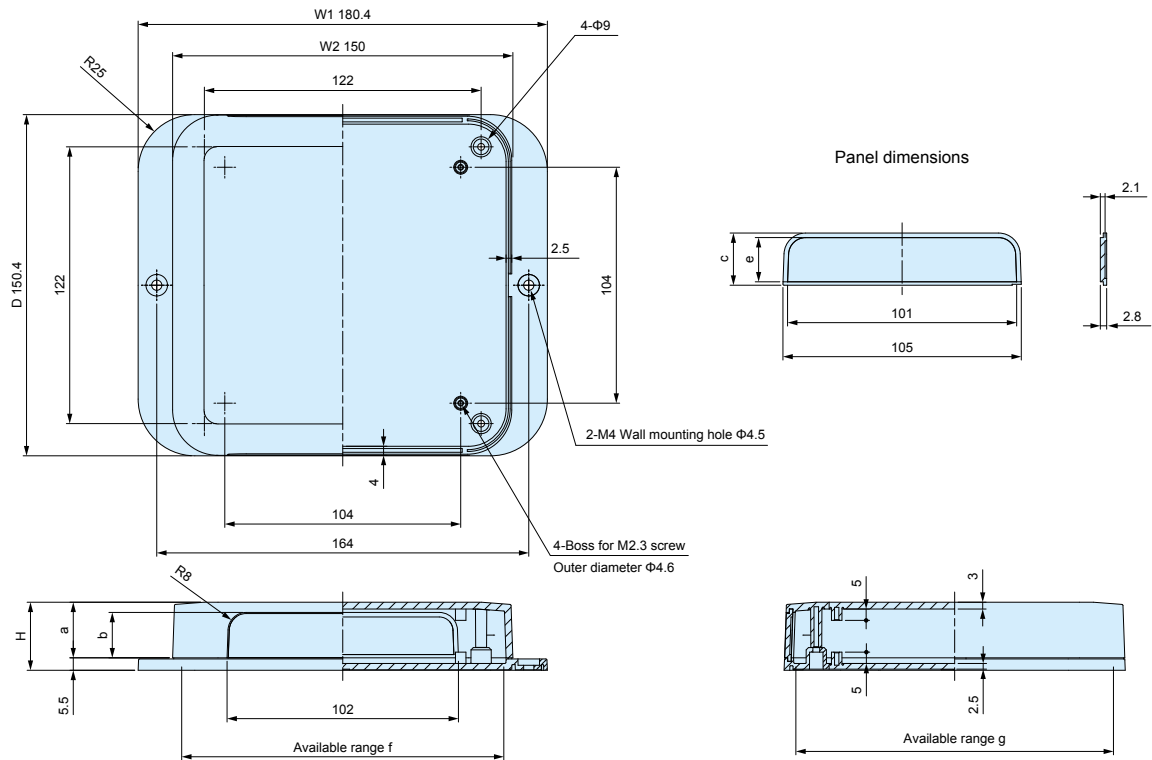
Best-Nr. Product no.	W1	W2	H	D	a	b	c	e	f	g
PFF13-3-13W	155.3	125	25	125.3	20.5	16.5	18.5	16	117	116
PFF13-4-13W	155.3	125	40	125.3	35.5	31.5	33.5	31	116	115

PFF Maße

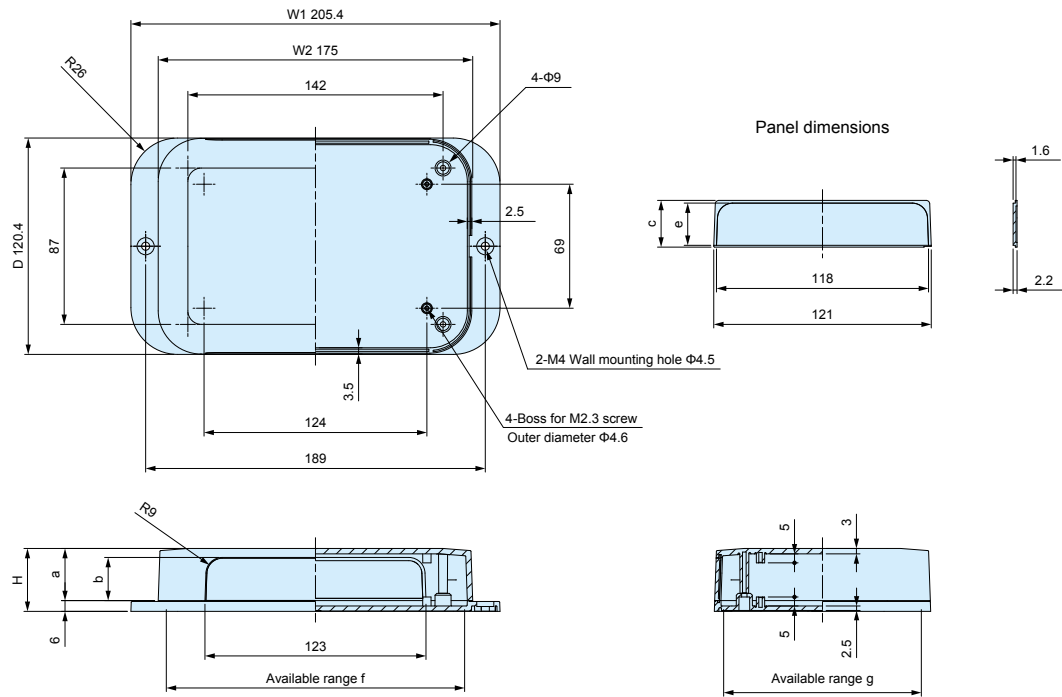
PFF Dimensions



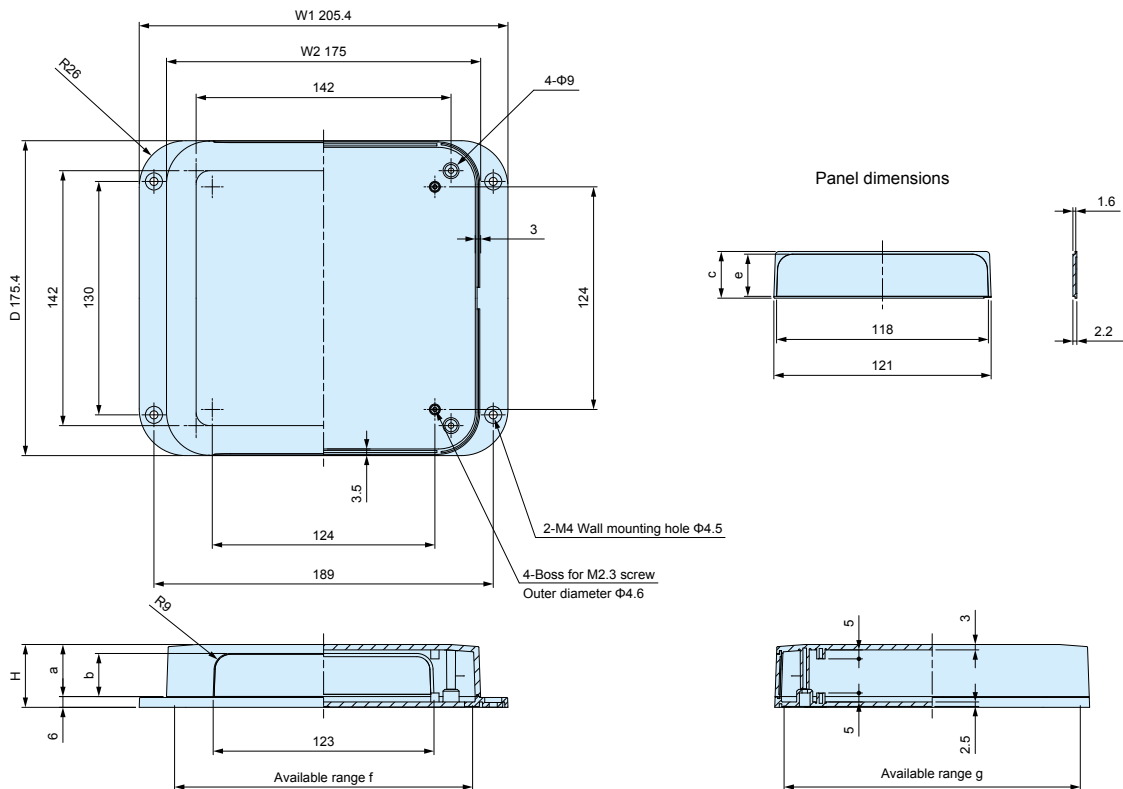
Best-Nr. Product no.	W1	W2	H	D	a	b	c	e	f	g
PFF15-3-10W	180.4	150	30	100.4	24.5	20	23	19.5	142	90
PFF15-5-10W	180.4	150	45	100.4	39.5	35	38	34.5	141	89



Best-Nr. Product no.	W1	W2	H	D	a	b	c	e	f	g
PFF15-3-15W	180.4	150	30	150.4	24.5	20	23	19.5	142	140
PFF15-5-15W	180.4	150	45	150.4	39.5	35	38	34.5	141	139



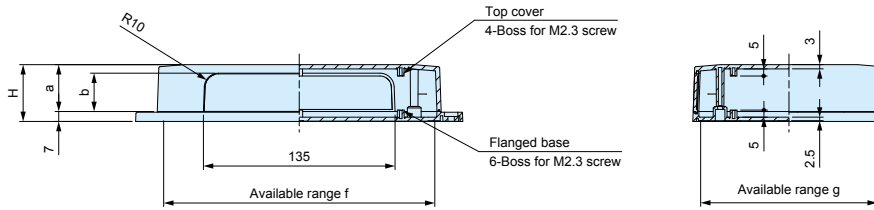
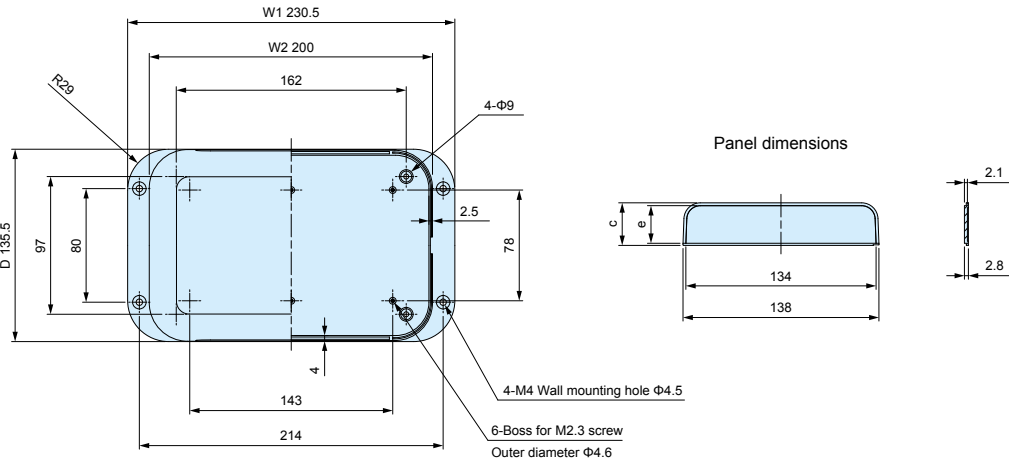
Best-Nr. Product no.	W1	W2	H	D	a	b	c	e	f	g
PFF18-4-12W	205.4	175	35	120.4	29	24	26.5	23.5	166	110
PFF18-5-12W	205.4	175	50	120.4	44	39	41.5	38.5	165	109



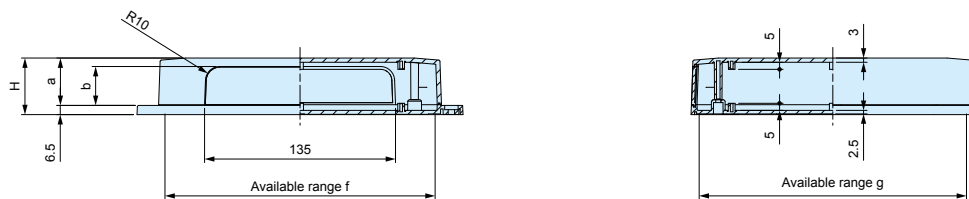
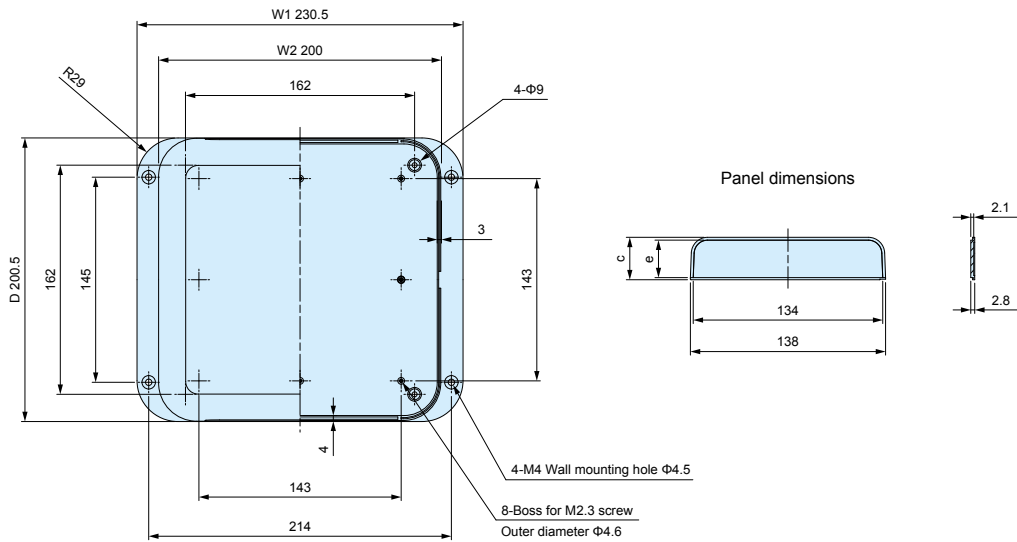
Best-Nr. Product no.	W1	W2	H	D	a	b	c	e	f	g
PFF18-4-18W	205.4	175	35	175.4	29	24	26.5	23.5	166	165
PFF18-5-18W	205.4	175	50	175.4	44.5	39.5	41.5	38.5	165	109

PFF Maße

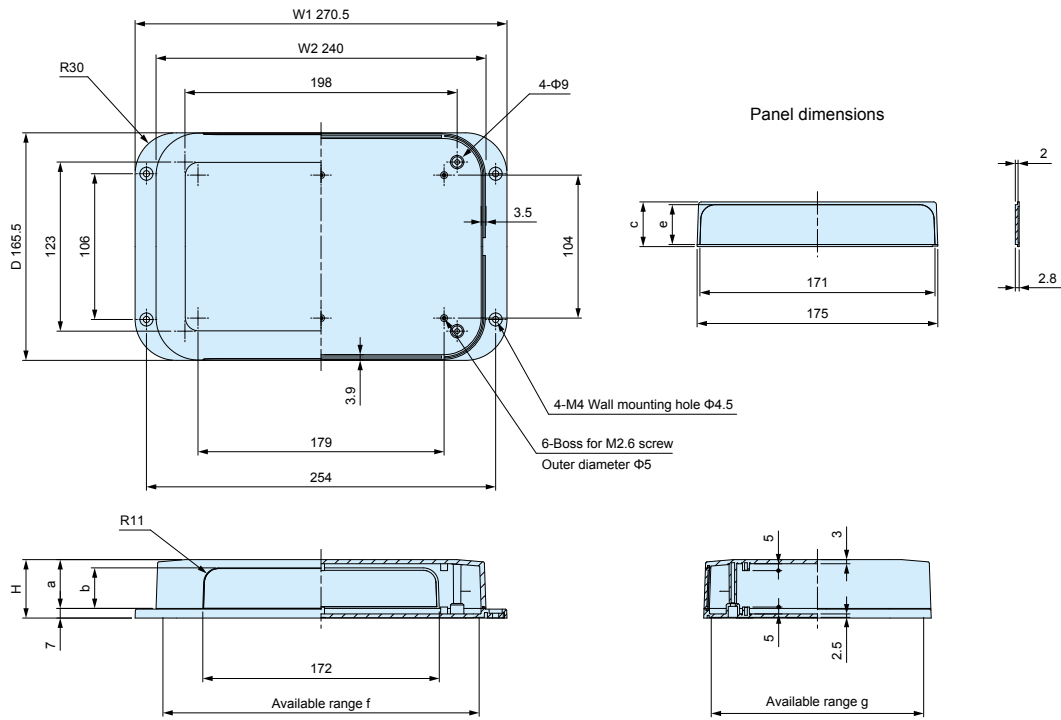
PFF Dimensions



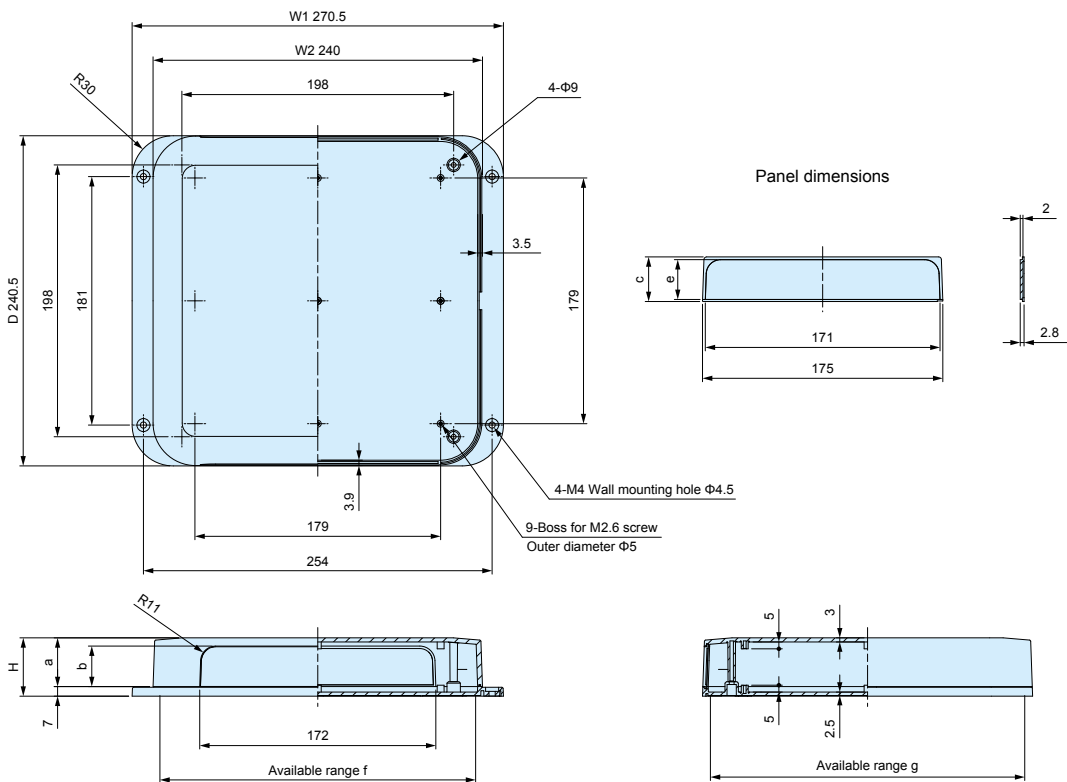
Best-Nr. Product no.	W1	W2	H	D	a	b	c	e	f	g
PFF20-4-13W	230.5	200	40	135.5	33	27	30	26.5	191	124
PFF20-6-13W	230.5	200	60	135.5	53	47	50	46.5	190	123



Best-Nr. Product no.	W1	W2	H	D	a	b	c	e	f	g
PFF20-4-20W	230.5	200	40	200.5	33	27	30	26.5	191	189
PFF20-6-20W	230.5	200	60	200.5	53	47	50	46.5	190	188



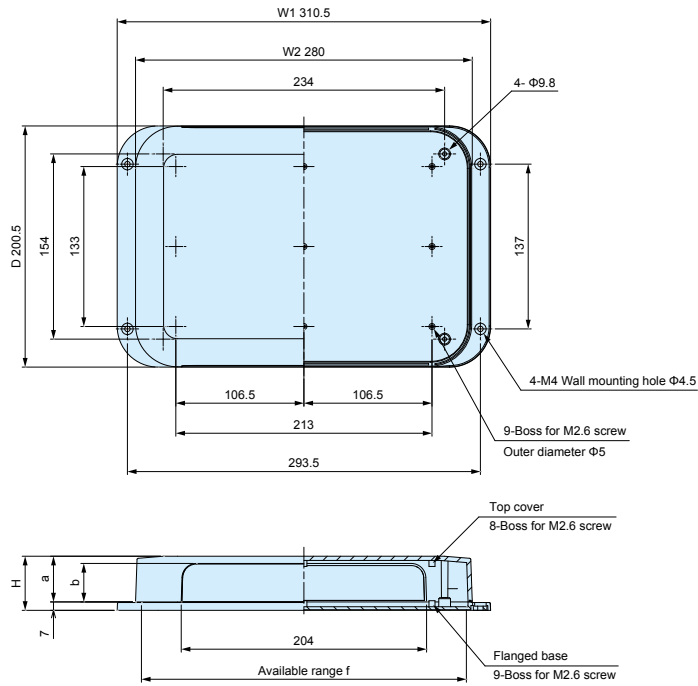
Best-Nr. Product no.	W1	W2	H	D	a	b	c	e	f	g
PFF24-4-17W	270.5	240	42.5	165.5	35.5	29.5	32.5	29	230	154
PFF24-6-17W	270.5	240	60	165.5	53	47	50	46.5	229	153



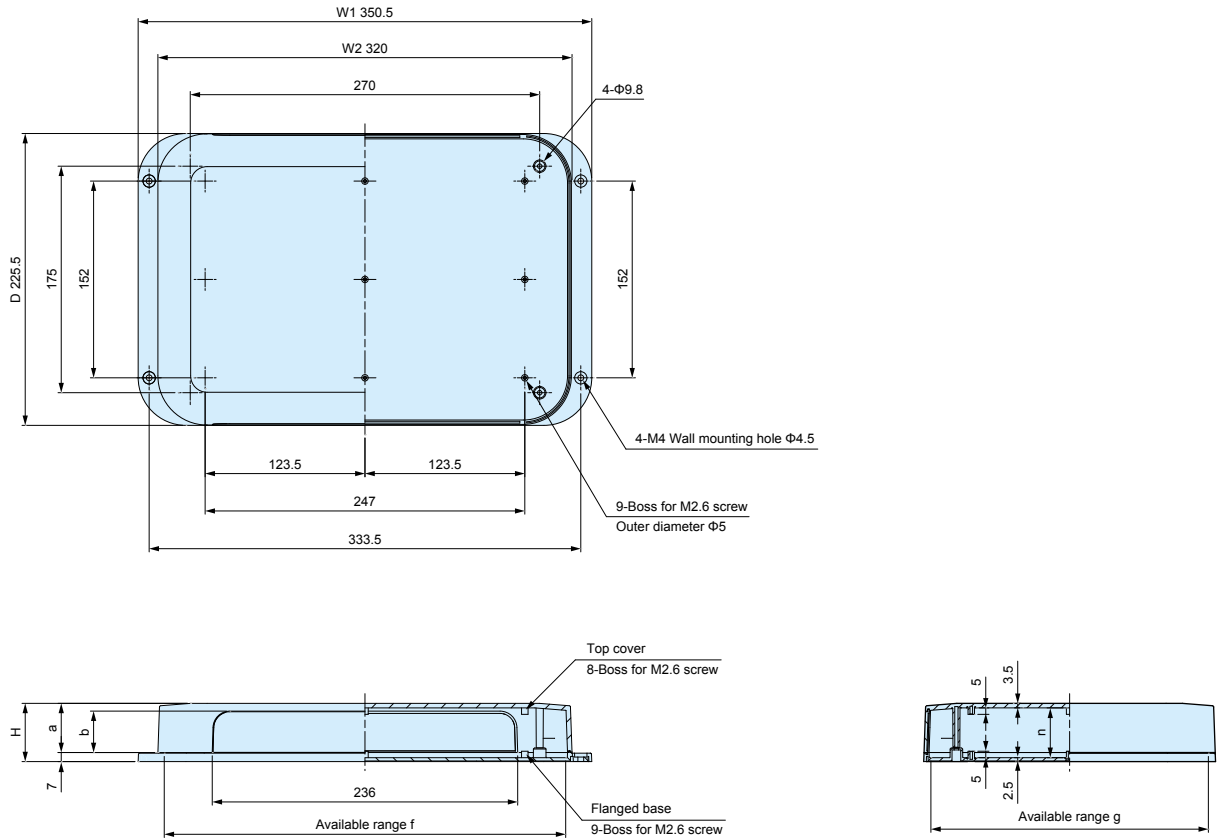
Best-Nr. Product no.	W1	W2	H	D	a	b	c	e	f	g
PFF24-4-24W	270.5	240	42.5	240.5	35.5	29.5	32.5	29	230	229
PFF24-6-24W	270.5	240	60	240.5	53	47	50	46.5	229	228

PFF Maße

PFF Dimensions



Best.-Nr. - Product no.	W1	W2	H	D	a	b	f	g	n
PFF28-5-20W	310.5	280	45	200.5	38	32	269.5	189	38.5
PFF28-7-20W	310.5	280	65	200.5	58	50	268.5	187.5	58.5
PFF28-9-20W	310.5	280	90	200.5	83	75	266.5	185.5	83.5



Best.-Nr. - Product no.	W1	W2	H	D	a	b	f	g	n
PFF32- 5-23W	350.5	320	45	225.5	38	32	309.5	214	38.5
PFF32- 7-23W	350.5	320	70	225.5	63	57	308	212	63.5
PFF32-10-23W	350.5	320	100	225.5	93	87	306	210	93.5