

## Serie AWP mit Silikon-Protektoren - Schutzart IP67

## Series AWP with silicon protectors - protection grade IP67

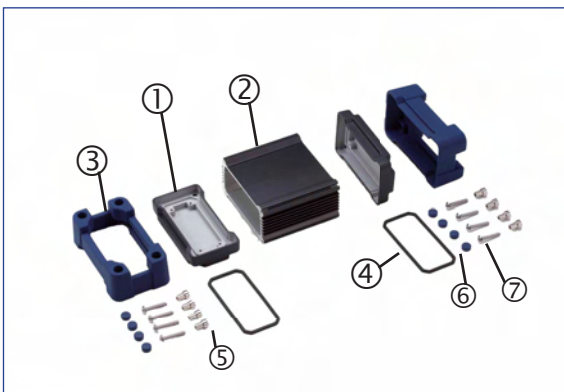


### Eigenschaften

- Wasserdichtes IP-67-Aluminiumgehäuse mit Wärmeabgabefunktion und optionalen EMV-Dichtungen.
- Hochleistungs-Kühlkörpergehäuse mit AL-Druckguss-Endplatten und Silikon-Protektoren.
- Integrierte Nuten dienen als Führung für Leiterplatten oder Montageplatten.
- Speziell für raue Umgebungen und große Temperaturbereiche.
- Besonders geeignet für die Verwendung von Frontfolien oder Folientastaturen.
- Individuelle Bearbeitung und Bedruckung auch im Express-Dienst möglich.
- Sonderlängen und andere Farben auf Anfrage.

### Features

- Shock- and waterproof aluminium enclosure with IP67 and heat-release effect.
- Heavy-duty enclosure, the extrusion body with heat-sink and al-die-casted end plates.
- PCBs or plates are mountable horizontally by sliding into the grooved inner body frame.
- Designed to use within a rough environment which required heavy duty, high waterproofing, and countermeasures against heat. Suitable for a measuring instrument, industrial control box, industrial camera housing and so on.
- Special lengths and colors on request.



Ref. Nr. Ref. no.	Bezeichnung Part Name	Stück Pcs	Material Material	Farbe / Oberfläche Color / Finish
1	Endplatte End panel	2	Aluminium-Druckguss aluminium Die-cast	silber / schwarz lackiert Innenseite blank silver / black painted inside unfinished
2	Tubus Body frame	1	Aluminium-Profil aluminium extrusion	silber / schwarz / eloxiert silver / black anodized
3	Protector Protector	2	Silikon silicon	grau / schwarz / navy / gelb gray / black / navy / yellow
4	EMV-Dichtung EMI gasket	2	Leitfähiges Silikon conductive silicone	schwarz black
5	Abstandshalter Spacer	8	Messing brass	vernickelt nickel plated
6	Blindstopfen Cap	8	Silikon silicone	grau / schwarz / navy / gelb gray / black / navy / yellow
7	Schraube Screw	8	Edelstahl stainless steel	ohne unfinished

			
silber schwarz / silver black SB	silber grau / silver gray SG	silber gelb / silver yellow SY	silber navy / silver navy SN
			
schwarz schwarz / black black BB	schwarz grau / black gray BG	schwarz gelb / black yellow BY	schwarz navy / black navy BN

Bitte geben Sie bei Bestellungen die Best.-Nr. so an wie hier gezeigt: AWP778□□

Please suffix color code at the end of part number as shown here: AWP778□□

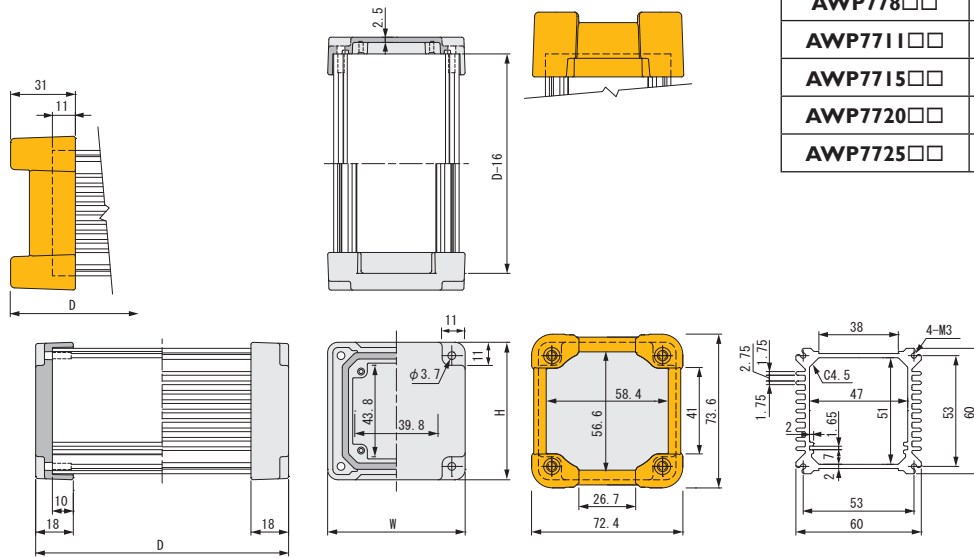
**Best.-Nr. / Abmessungen**

**Part no. / dimensions**

Best.-Nr. Part no.	W	H	D	Wärmewiderstand (°C / W) Thermal resistance rate (K / W)
AWP778□□	72.4(65.8)	73.6(65.8)	104(80)	4.41
AWP7711□□	72.4(65.8)	73.6(65.8)	134(110)	3.5
AWP7715□□	72.4(65.8)	73.6(65.8)	174(150)	2.83
AWP7720□□	72.4(65.8)	73.6(65.8)	224(200)	2.33
AWP7725□□	72.4(65.8)	73.6(65.8)	274(250)	2.02
AWP859□□	87.4(80.8)	53.6(45.8)	114(90)	5.97
AWP8512□□	87.4(80.8)	53.6(45.8)	139(115)	5.01
AWP8514□□	87.4(80.8)	53.6(45.8)	164(140)	4.37
AWP8518□□	87.4(80.8)	53.6(45.8)	199(175)	3.76
AWP9910□□	93.9(86.3)	95.1(86.3)	130(100)	3.1
AWP9913□□	93.9(86.3)	95.1(86.3)	155(125)	2.63
AWP9917□□	93.9(86.3)	95.1(86.3)	200(170)	2.12
AWP9922□□	93.9(86.3)	95.1(86.3)	250(220)	1.79
AWP9928□□	93.9(86.3)	95.1(86.3)	305(275)	1.54
AWP11611□□	113.9(106.3)	65.1(56.3)	140(110)	4.52
AWP11615□□	113.9(106.3)	65.1(56.3)	180(150)	3.62
AWP11619□□	113.9(106.3)	65.1(56.3)	220(190)	3.08
AWP11624□□	113.9(106.3)	65.1(56.3)	270(240)	2.64
AWP12811□□	127.6(120)	80.1(71,3)	135(105)	3.6
AWP12814□□	127.6(120)	80.1(71,3)	170(140)	2.93
AWP12817□□	127.6(120)	80.1(71,3)	209.5(179.5)	2.47
AWP12822□□	127.6(120)	80.1(71,3)	245(215)	2.18
AWP16914□□	163.9(156.3)	90.1(81.3)	165(135)	2.64
AWP16918□□	163.9(156.3)	90.1(81.3)	205(175)	2.2
AWP16923□□	163.9(156.3)	90.1(81.3)	255(225)	1.86
AWP16928□□	163.9(156.3)	90.1(81.3)	305(275)	1.63
AWP21917□□	213.9(206.3)	90.1(81.3)	202(170)	2.3
AWP21921□□	213.9(206.3)	90.1(81.3)	242(210)	1.99
AWP21926□□	213.9(206.3)	90.1(81.3)	292(260)	1.72
AWP21931□□	213.9(206.3)	90.1(81.3)	342(310)	1.54

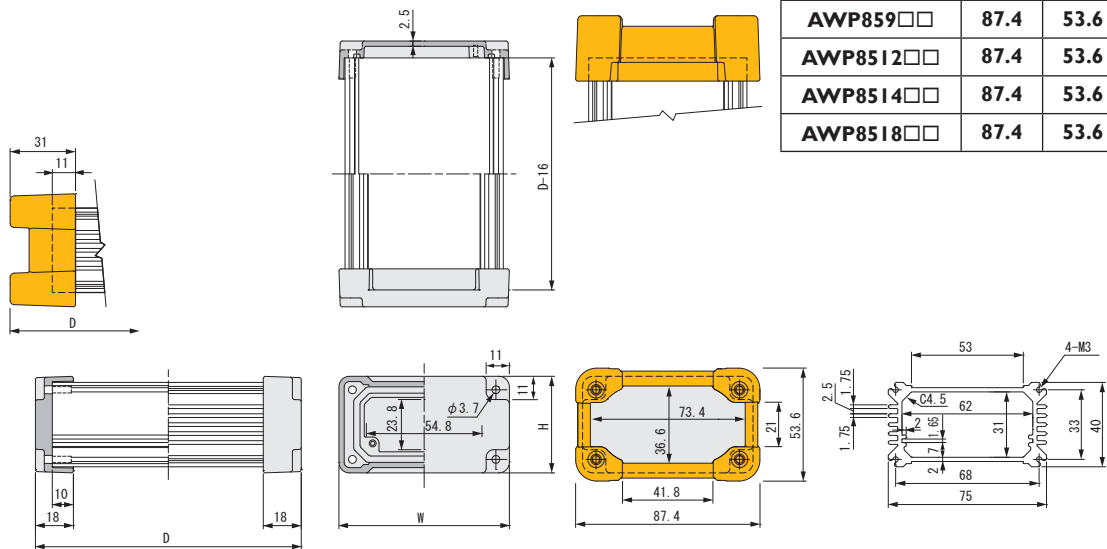
Maße in ( ) zeigen die Gehäusegröße ohne die Silikon-Protectoren.  
Numbers in ( ) show enclosure size without silicone protectors.

## AWP77□



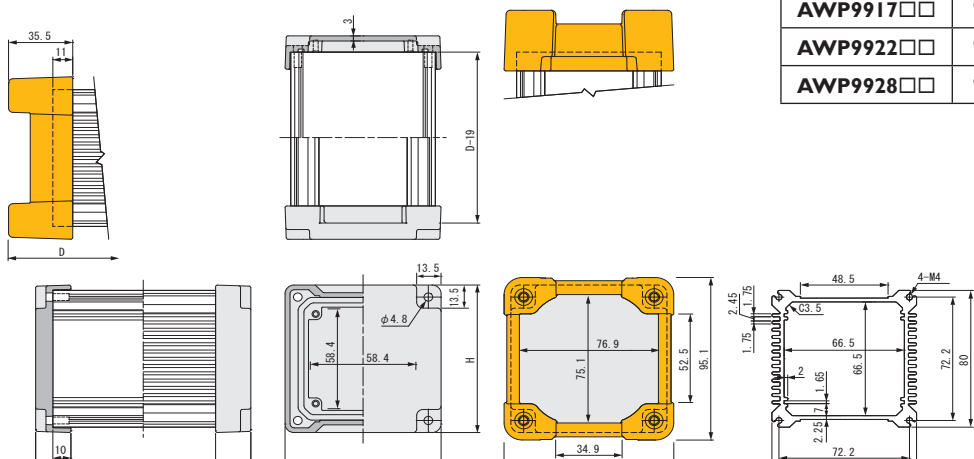
Best.-Nr. Part no.	W	H	D
AWP778□□	72.4	73.6	104
AWP7711□□	72.4	73.6	134
AWP7715□□	72.4	73.6	174
AWP7720□□	72.4	73.6	224
AWP7725□□	72.4	73.6	274

## AWP85□



Best.-Nr. Part no.	W	H	D
AWP859□□	87.4	53.6	114
AWP8512□□	87.4	53.6	139
AWP8514□□	87.4	53.6	164
AWP8518□□	87.4	53.6	199

## AWP99□

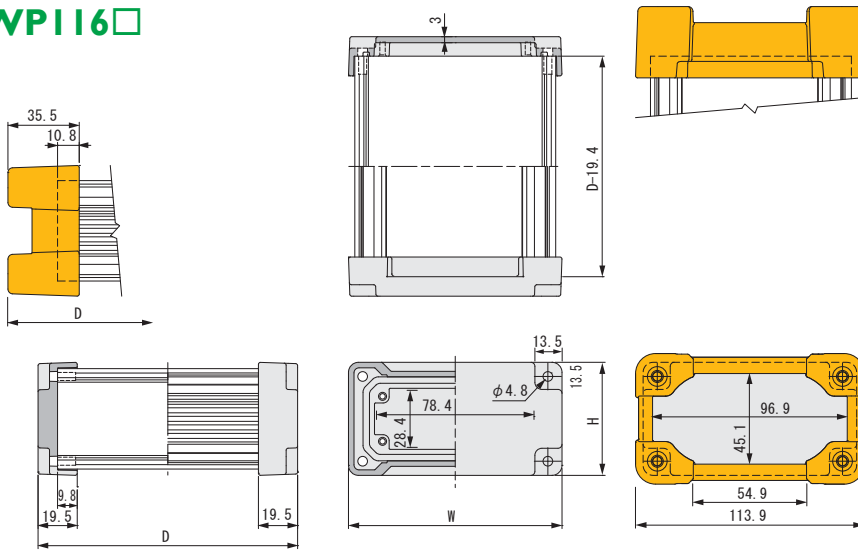


Best.-Nr. Part no.	W	H	D
AWP9910□□	93.9	95.1	130
AWP9913□□	93.9	95.1	155
AWP9917□□	93.9	95.1	200
AWP9922□□	93.9	95.1	250
AWP9928□□	93.9	95.1	305

# Serie AWP Abmessungen

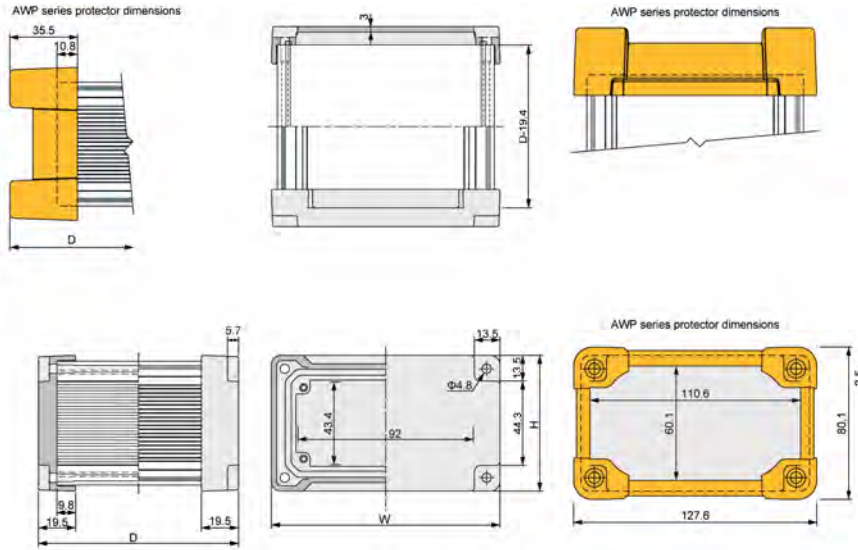
# series AWP dimensions

## AWP I 16 □



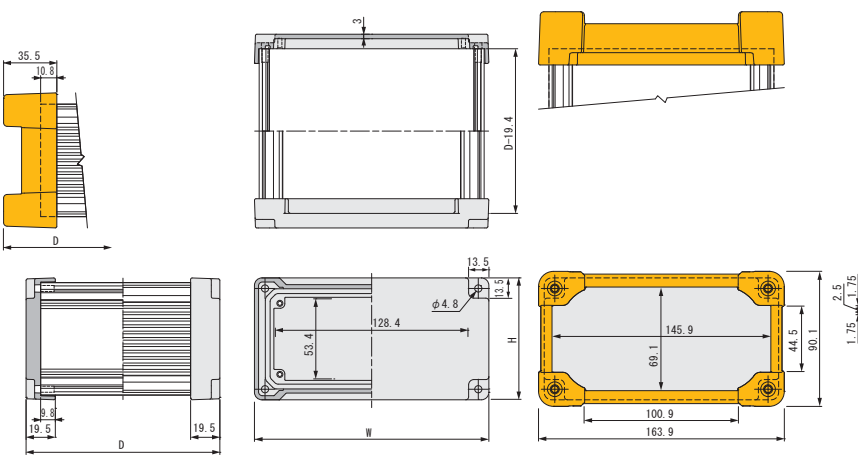
Best.-Nr. Part no.	W	H	D
AWP I 1611 □ □	113.9	65.1	140
AWP I 1615 □ □	113.9	65.1	180
AWP I 1619 □ □	113.9	65.1	220
AWP I 1624 □ □	113.9	65.1	270

## AWP I 28 □



Best.-Nr. Part no.	W	H	D
AWP I 2811	120	71.3	135
AWP I 2814	120	71.3	170
AWP I 2817	120	71.3	209.5
AWP I 2822	120	71.3	245

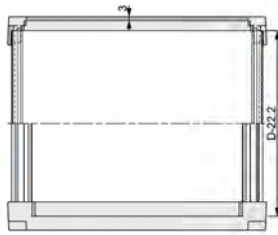
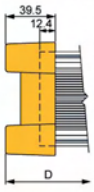
## AWP I 69 □



Best.-Nr. Part no.	W	H	D
AWP I 6914 □ □	163.9	90.1	165
AWP I 6918 □ □	163.9	90.1	205
AWP I 6923 □ □	163.9	90.1	255
AWP I 6928 □ □	163.9	90.1	305

## AWP219□

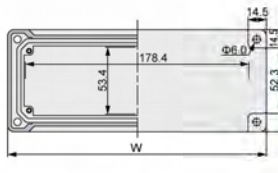
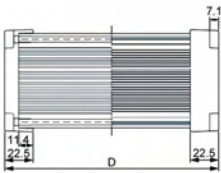
AWP series protector dimensions



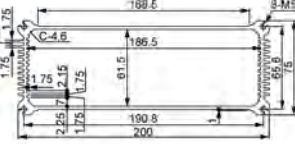
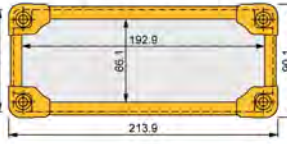
AWP series protector dimensions



Best.-Nr. Part no.	W	H	D
<b>AWP 21917</b>	<b>206.3</b>	<b>81.3</b>	<b>202</b>
<b>AWP 21921</b>	<b>206.3</b>	<b>81.3</b>	<b>242</b>
<b>AWP 21926</b>	<b>206.3</b>	<b>81.3</b>	<b>292</b>
<b>AWP 21931</b>	<b>206.3</b>	<b>81.3</b>	<b>342</b>



AWP series protector dimensions



## AWP Explosions Zeichnung AWP Exploded view

