

# Serie AW Aluminium-Gehäuse mit Wandbefestigung IP67

# Series AW aluminium enclosure with wall mounting flange IP67



### Technische Daten

Schutzklasse: IP67  
 Temperaturbereich:  
 -40°C ~ +105°C  
 Empfohlenes Drehmoment:  
 1.0N • m (10kgf • cm)

### Technical Data

Protection class: IP67  
 Operating temperature:  
 -40°C ~ +105°C  
 Recommended torque:  
 1.0N • m (10kgf • cm)

- Wasserdichtes IP-67-Aluminiumgehäuse mit Kühlrippen und Befestigungsflansch.
- Integrierte Nuten dienen als Führung für Leiterplatten oder Montageplatten.
- Speziell konzipiert für raue Umgebungen und große Temperaturbereiche.
- Geeignet für Outdoor-Anwendungen oder als Netzteilgehäuse.
- IP67 and heat dissipation enclosure. Designed with flanged end panels.
- PCB or chassis is mounted by sliding it horizontally into an inner-grooved body frame.
- Designed for a tough environment where waterproof and heat countermeasures are required.
- Suitable for outdoor use such as LED power supply and junction boxes.

### N Version Einzelteile

Nr.	Bezeichnung	Stück	Material	Farbe / Oberfläche
1	Deckel mit Flanschbefestigung	2	Aluminium-Druckguss	Metallic-Grau • Schwarz pulverbeschichtet
2	Tubus	1	Aluminiumprofil	Silber • Schwarz eloxiert
3	Dichtung	2	Silikon	Schwarz
4	Schraube	8	Edelstahl	-

### Normal N type Components

No.	Part name	Pcs	Material	Color / Finish
1	Flanged end panel	2	Diecast aluminium ADC12	Metallic gray • Black / Powder coated
2	Body frame	1	Extruded aluminium A6063S-T5	Silver • Black / Anodized
3	Gasket	2	Silicone	Black
4	Screw	8	Stainless steel	Unfinished

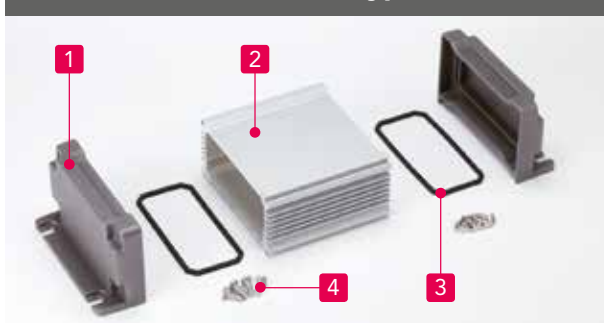
### EMV geschützte Ausführung Typ E

Nr.	Part name	Pcs	Material	Color / Finish
1	Deckel mit Flanschbefestigung	2	Aluminium Druckguss	Silber • Schwarz / pulverbeschichtet
2	Tubus	1	Aluminium Profil	Silber • Schwarz eloxiert
3	leitfähige Dichtung	2	leitfähiges Silikon	Schwarz
4	Schraube	8	Edelstahl	-

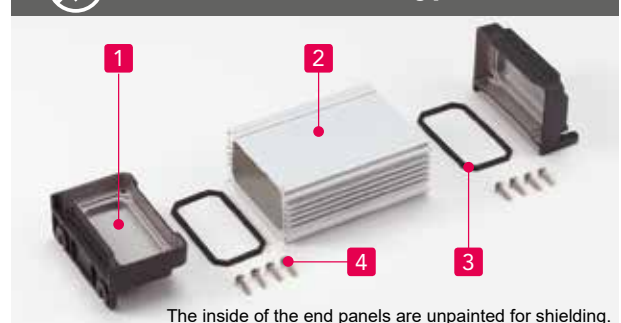
### EMC Shielded E type Components

No.	Part name	Pcs	Material	Color / Finish
1	Flanged end panel	2	Diecast aluminium ADC12	Silver • Black / Painted (unfinished inside)
2	Body frame	1	Extruded aluminium A6063S-T5	Silver • Black / Anodized
3	Conductive gasket	2	Conductive silicone	Black
4	Screw	8	Stainless steel	Unfinished

### Normal - N type



### EMC Shielded - E type



## Zubehör (Optional erhältlich)

## Accessories (optional parts)



Montageplatte - Serie AWC  
Mounting plate - AWC series



Insechskantschraube - Serie HCS  
Hexagon socket head screw  
HCS series



Kabelverschraubungen  
Cable gland



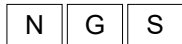
Protective vent - PMF Series

### Normal / EMC Shielded • Color Code

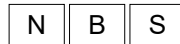
#### Normal - N type



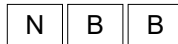
Metallic gray / Silver



Black / Silver



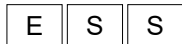
Black / Black



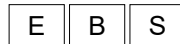
#### EMC Shielded - E type



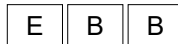
Silver / Silver



Black / Silver



Black / Black



- ※ Thermal resistance test condition
  - Ambient air cooling
  - Heat-sink fins are set perpendicular to the ground with temperature at 60°C.
  - Anodized aluminium extrusion
  - Heat source is applied on the opposite side (inner side) of the fins.

### Bestellnummer / Maße Product no. / Dimensions

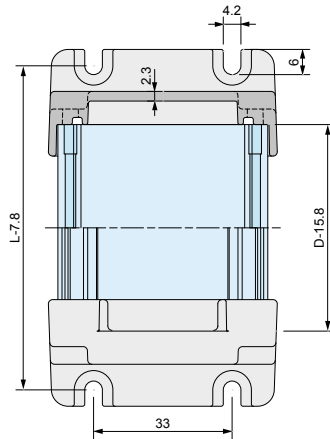
Best-Nr. Product no.	W	H	D	※Wärmewiderstand (°C/W) ※Thermal resistance (°C/W)	Gewicht (g) Weight (g)
AW 5-4-7□□□	54.6	38.6	65	11.2	128.5
AW 5-4-9□□□	54.6	38.6	85	9.18	149
AW 5-4-11□□□	54.6	38.6	110	7.64	175
AW 5-4-14□□□	54.6	38.6	135	6.63	201.5
AW 7-7-8□□□	65.8	70.8	80	4.41	294.5
AW 7-7-11□□□	65.8	70.8	110	3.5	350
AW 7-7-15□□□	65.8	70.8	150	2.83	424.5
AW 7-7-20□□□	65.8	70.8	200	2.33	517
AW 7-7-25□□□	65.8	70.8	250	2.02	610
AW 8-5-9□□□	80.8	50.8	90	5.97	289.5
AW 8-5-12□□□	80.8	50.8	115	5.01	330.5
AW 8-5-14□□□	80.8	50.8	140	4.37	372
AW 8-5-18□□□	80.8	50.8	175	3.76	429.5
AW 9-9-10□□□	86.3	92	100	3.1	560.5
AW 9-9-13□□□	86.3	92	125	2.63	633.5
AW 9-9-17□□□	86.3	92	170	2.12	764.5
AW 9-9-22□□□	86.3	92	220	1.79	910.5
AW 9-9-28□□□	86.3	92	275	1.54	1,071
AW11-6-11□□□	106.3	62	110	4.52	526.5
AW11-6-15□□□	106.3	62	150	3.62	625
AW11-6-19□□□	106.3	62	190	3.08	723.5
AW11-6-24□□□	106.3	62	240	2.64	847
AW12-8-11□□□	120	77	105	3.6	614.5
AW12-8-14□□□	120	77	140	2.93	720.5
AW12-8-17□□□	120	77	179.5	2.47	840
AW12-8-22□□□	120	77	215	2.18	947.5
AW16-9-14□□□	156.3	87	135	2.64	945.5
AW16-9-18□□□	156.3	87	175	2.2	1,092.5
AW16-9-23□□□	156.3	87	225	1.86	1,275.5
AW16-9-28□□□	156.3	87	275	1.63	1,459
AW21-9-17□□□	206.3	87	170	2.3	1,303
AW21-9-21□□□	206.3	87	210	1.99	1,473.5
AW21-9-26□□□	206.3	87	260	1.72	1,686.5
AW21-9-31□□□	206.3	87	310	1.54	1,899.5

- Bitte ergänzen Sie den Farbcode am Ende der Bestell-Nr.
- Please suffix color code at the end of the product number.

# AW Dimensionen

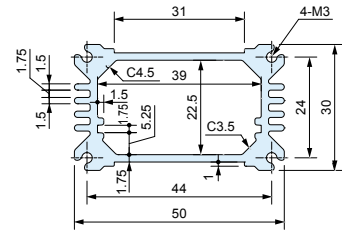
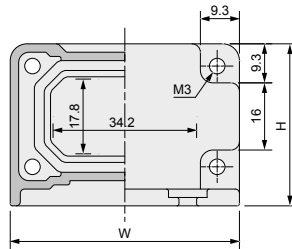
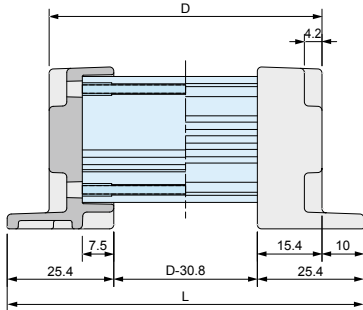
# AW dimensions

## AW5-4-□

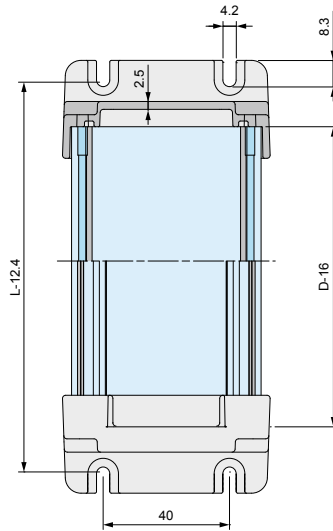


Best-Nr.	W	H	D (Profil Länge)	L (Gesamt Länge)
Product no.			D (Body length)	L (Overall length)
AW5-4- 7	54.6	38.6	65	85
AW5-4- 9	54.6	38.6	85	105
AW5-4-11	54.6	38.6	110	130
AW5-4-14	54.6	38.6	135	155

- Profillänge = D - 15.8
- Body frame length = D - 15.8

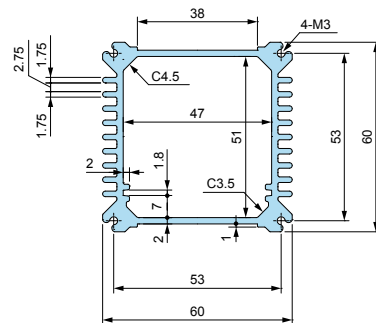
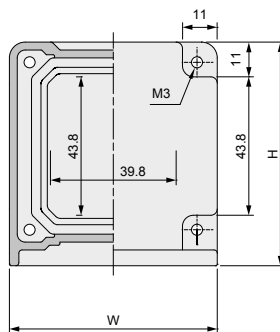
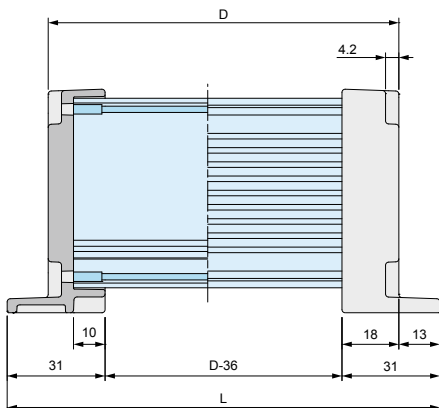


## AW7-7-□



Best-Nr.	W	H	D (Profil Länge)	L (Gesamt Länge)
Product no.			D (Body length)	L (Overall length)
AW7-7- 8	65.8	70.8	80	106
AW7-7-11	65.8	70.8	110	136
AW7-7-15	65.8	70.8	150	176
AW7-7-20	65.8	70.8	200	226
AW7-7-25	65.8	70.8	250	276

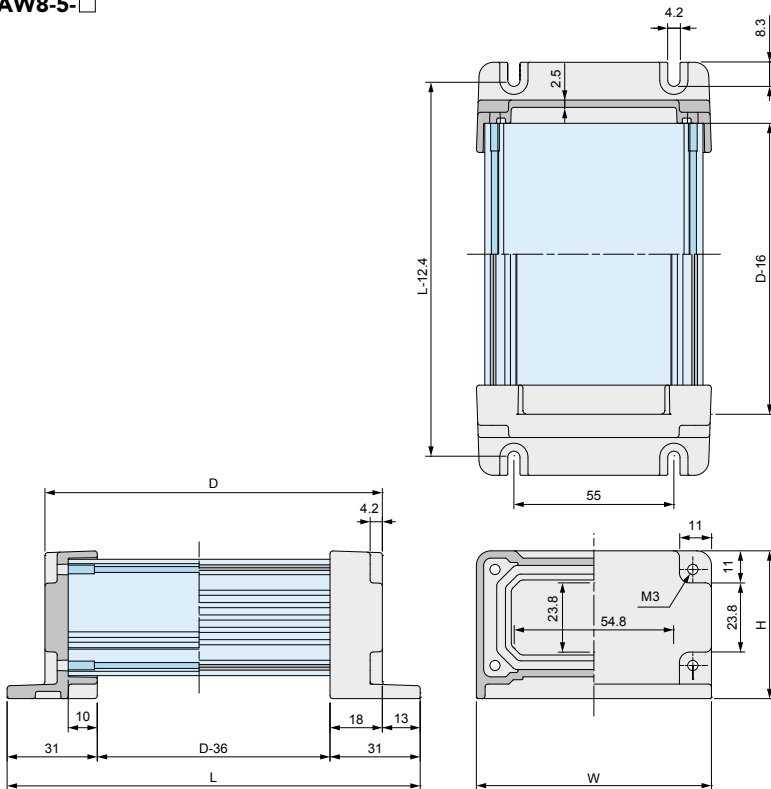
- Profillänge = D - 16
- Body frame length = D - 16



# AW Dimensionen

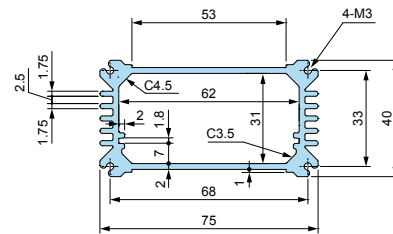
# AW dimensions

## AW8-5-□

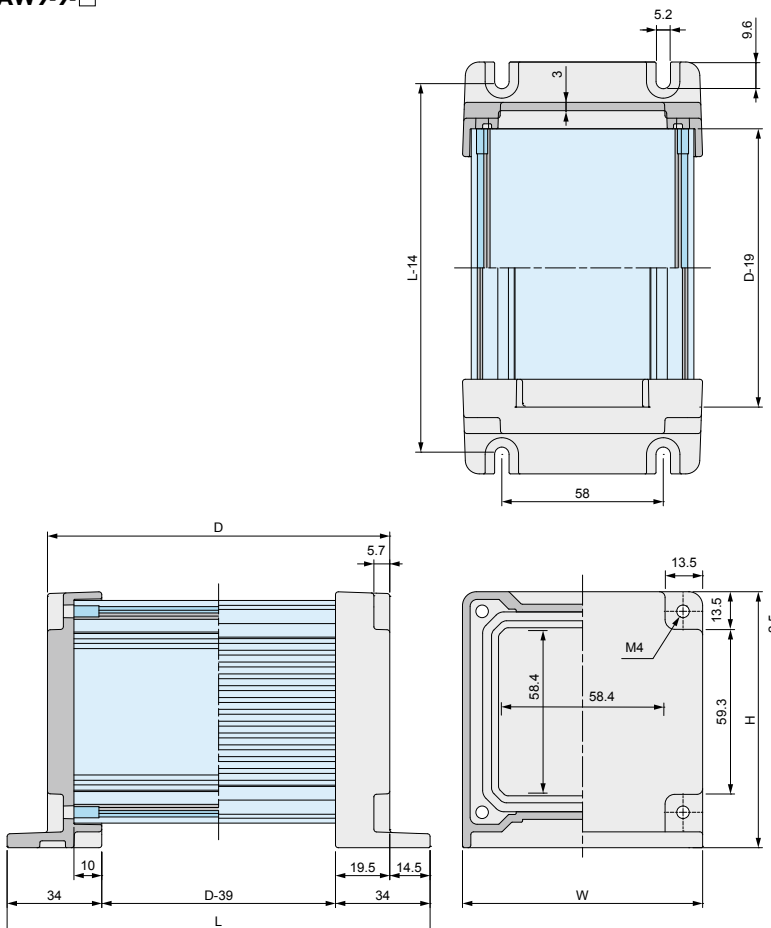


Best-Nr.	W	H	D (Profil Länge)	L (Gesamt Länge)
Product no.			D (Body length)	L (Overall length)
AW8-5- 9	80.8	50.8	90	116
AW8-5-12	80.8	50.8	115	141
AW8-5-14	80.8	50.8	140	166
AW8-5-18	80.8	50.8	175	201

- Profillänge = D - 16
- Body frame length = D - 16

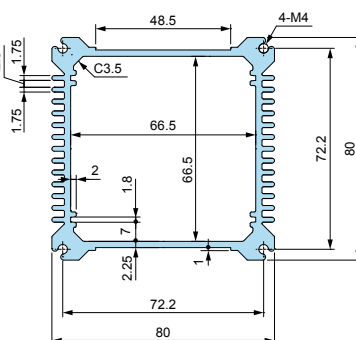


## AW9-9-□



Best-Nr.	W	H	D (Profil Länge)	L (Gesamt Länge)
Product no.			D (Body length)	L (Overall length)
AW9-9-10	86.3	92	100	129
AW9-9-13	86.3	92	125	154
AW9-9-17	86.3	92	170	199
AW9-9-22	86.3	92	220	249
AW9-9-28	86.3	92	275	304

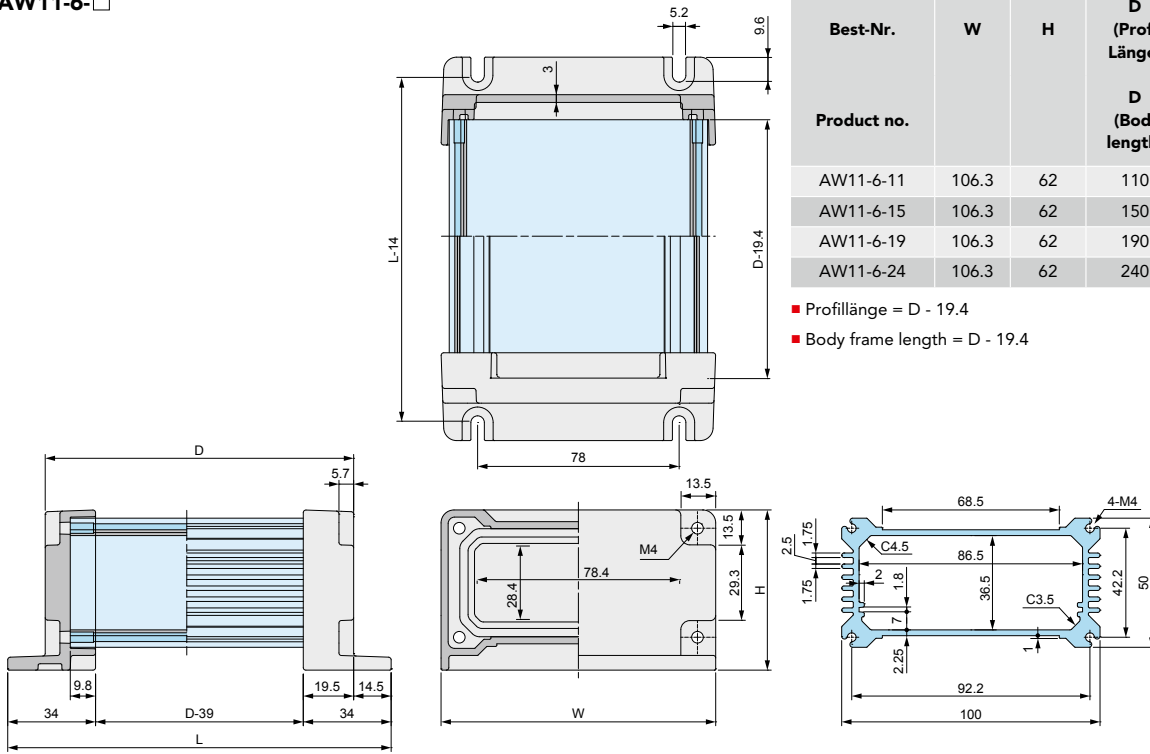
- Profillänge = D - 19
- Body frame length = D - 19



# AW Dimensionen

# AW dimensions

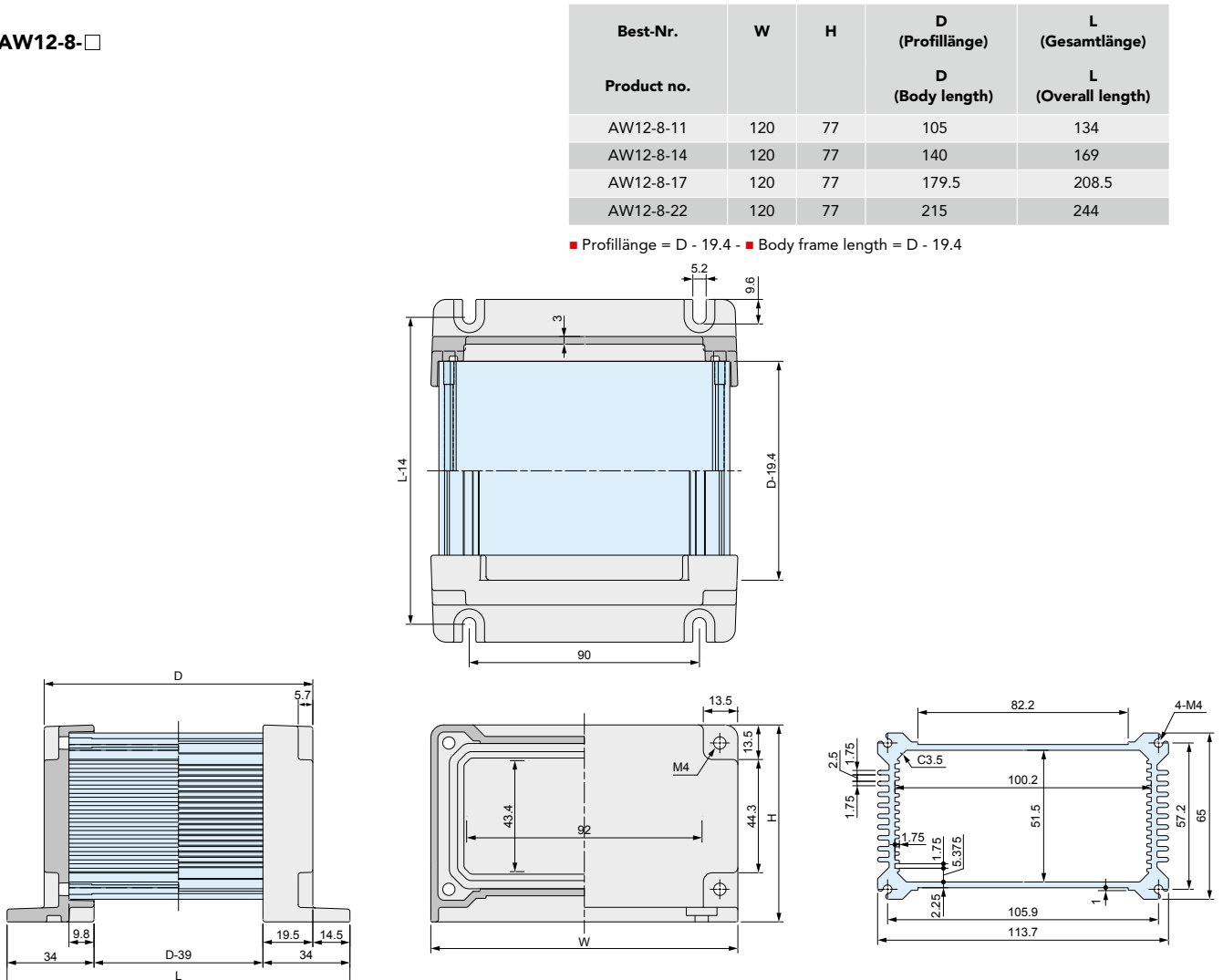
## AW11-6-□



Best-Nr.	W	H	D (Profil Länge)	L (Gesamt Länge)
Product no.			D (Body length)	L (Overall length)
AW11-6-11	106.3	62	110	139
AW11-6-15	106.3	62	150	179
AW11-6-19	106.3	62	190	219
AW11-6-24	106.3	62	240	269

- Profillänge = D - 19.4
- Body frame length = D - 19.4

## AW12-8-□



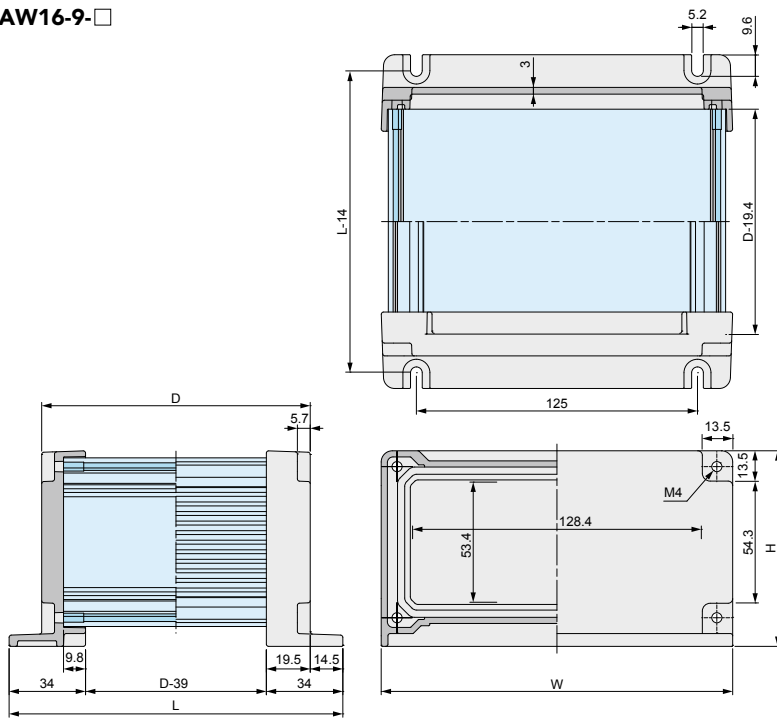
Best-Nr.	W	H	D (Profillänge)	L (Gesamtlänge)
Product no.			D (Body length)	L (Overall length)
AW12-8-11	120	77	105	134
AW12-8-14	120	77	140	169
AW12-8-17	120	77	179.5	208.5
AW12-8-22	120	77	215	244

- Profillänge = D - 19.4
- Body frame length = D - 19.4

# AW Dimensionen

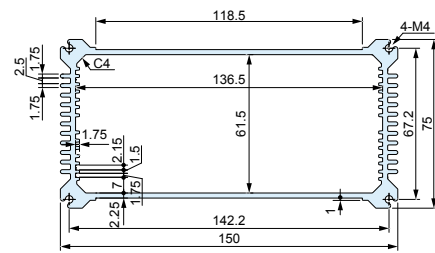
# AW dimensions

## AW16-9-□

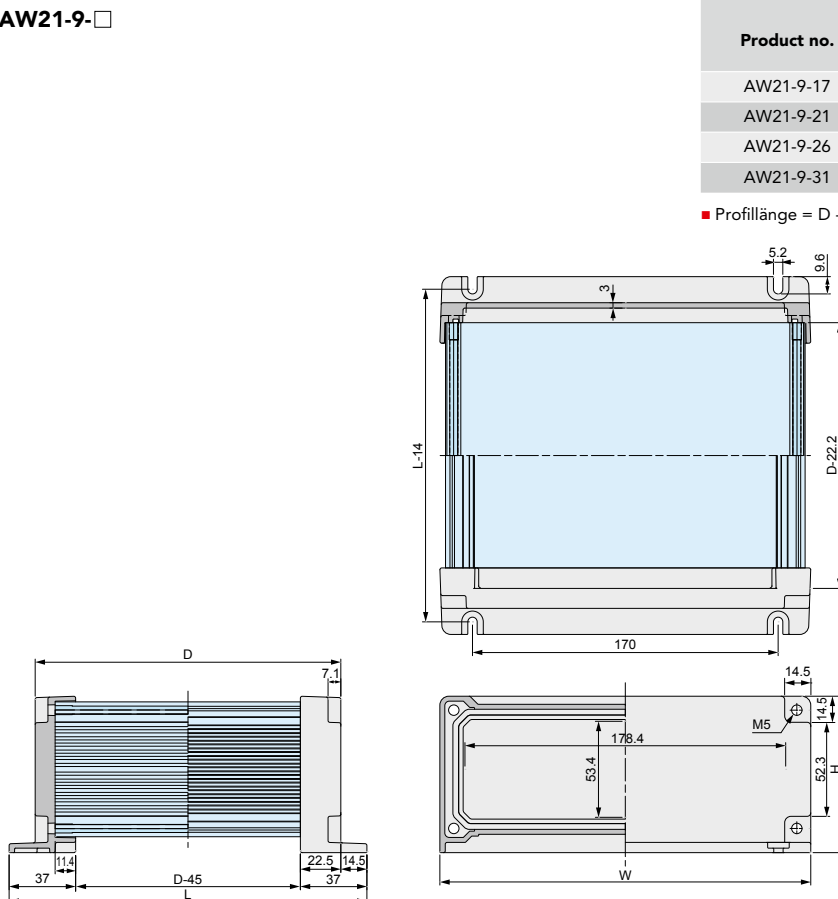


Best-Nr.	W	H	D (Profil Länge)	L (Gesamt Länge)
Product no.			D (Body length)	L (Overall length)
AW16-9-14	156.3	87	135	164
AW16-9-18	156.3	87	175	204
AW16-9-23	156.3	87	225	254
AW16-9-28	156.3	87	275	304

- Profilänge = D - 19.4
- Body frame length = D - 19.4

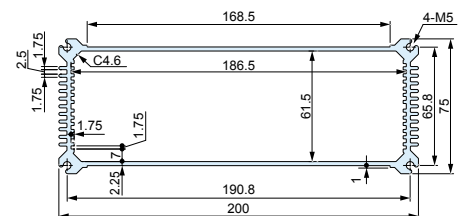


## AW21-9-□



Best-Nr.	W	H	D (Profilänge)	L (Gesamtlänge)
Product no.			D (Body length)	L (Overall length)
AW21-9-17	206.3	87	170	199
AW21-9-21	206.3	87	210	239
AW21-9-26	206.3	87	260	289
AW21-9-31	206.3	87	310	339

- Profilänge = D - 22.2
- Body frame length = D - 22.2

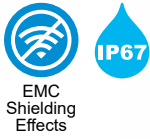


# Serie AWN

## IP 67 Aluminium-Kühlkörpergehäuse

# Series AWN

## IP 67 heatsink aluminium enclosure



### Technische Daten

Schutzklasse: IP67  
 Temperaturbereich: -40°C ~ +105°C  
 Empfohlenes Drehmoment:  
 1.0N • m (10kgf • cm)

### Technical Data

Protection class: IP67  
 Operating temperature: -40°C ~ +105°C  
 Recommended torque:  
 1.0N • m (10kgf • cm)

- IP67 Aluminiumgehäuse mit Kühlrippen verfügbar als normal und EMV geschützte Version.
- Aluminiumprofil und Druckguss-Deckelplatten geeignet für raue Umgebungen und große Temperaturbereiche.
- Integrierte Nuten dienen als Führung für Leiterplatten oder Montageplatten.
- Geeignet für Messgeräte, Industriegehäuse, Kameragehäuse uvm.
- IP67 and heat dissipation enclosure design. Selectable in both Normal or EMC Shielded type.
- The extruded aluminium frame and diecast aluminium panels makes it extremely suitable to be used in harsh environments where waterproofing and heat dissipation is essential.
- PCB or chassis can be mounted by sliding it horizontally into inner-grooved body frame.
- Suitable for measuring instruments, industrial control box, and industrial camera housing, among others.

### N Version Einzelteile

Nr.	Bezeichnung	Stück	Material	Farbe / Oberfläche
1	Endplatte	2	Aluminiumdruckguss	Metallic Grau • Schwarz / pulverbeschichtet
2	Profil	1	Aluminiumprofil	Silber • Schwarz / eloxiert
3	Dichtung	2	Silikon	Schwarz
4	Schraube	8	Edelstahl	-
5	GummifüÙe	4	Polyurethane	Schwarz

### Normal N type Components

No.	Part name	Pcs	Material	Color / Finish
1	End panel	2	Diecast aluminium ADC12	Metallic gray • Black / Powder coated
2	Body frame	1	Extruded aluminium A6063S-T5	Silver • Black / Anodized
3	Gasket	2	Silicone	Black
4	Screw	8	Stainless steel	Unfinished
5	Rubber feet	4	Polyurethane	Black

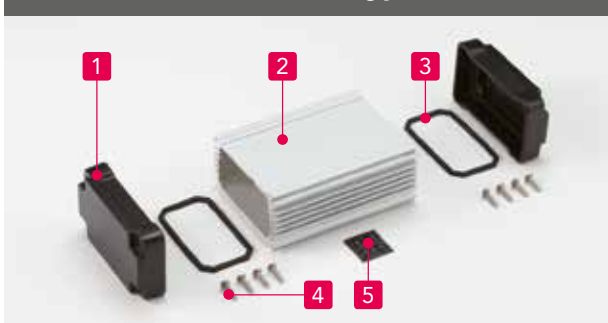
### EMV geschützte Ausführung Typ E

Nr.	Bezeichnung	Stück	Material	Farbe / Oberfläche
1	Endplatte	2	Aluminiumdruckguss	Silber • Schwarz / lackiert
2	Profil	1	Aluminiumprofil	Silber • Schwarz / eloxiert
3	leitfähige Dichtung	2	leitfähiges Silikon	Schwarz
4	Schraube	8	Edelstahl	-
5	GummifüÙe	4	Polyurethane	Schwarz

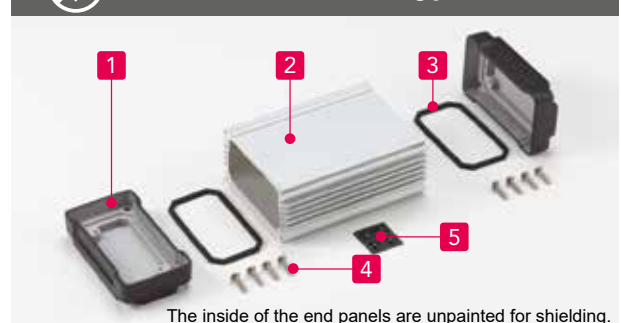
### EMC Shielded E type Components

No.	Part name	Pcs	Material	Color / Finish
1	Flanged end panel	2	Diecast aluminium ADC12	Silver • Black / Painted (unfinished inside)
2	Body frame	1	Extruded aluminium A6063S-T5	Silver • Black / Anodized
3	Conductive gasket	2	Conductive silicone	Black
4	Screw	8	Stainless steel	Unfinished
5	Rubber	4	Polyurethane	Black

### Normal - N type

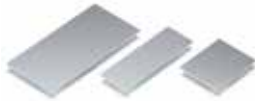


### EMC Shielded - E type



# Zubehör (Optional erhältlich)

# Accessories (optional parts)



Montageplatte Serie AWC  
Mounting plate AWC series



Innensechskant Schraube  
Serie HCS  
Hexagon socket head screw  
HCS series



Kabelverschraubungen  
Cable gland



Silikonenschutz Serie AWSP  
Silicone protector  
AWSP series



Protective vent  
PMF Series

## Normal / EMC Shielded • Color Code

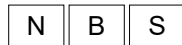
### Normal - N type



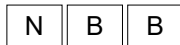
Metallic gray / Silver



Black / Silver



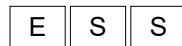
Black / Black



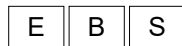
### EMC Shielded - E type



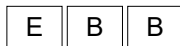
Silver / Silver



Black / Silver



Black / Black



- ※ Thermal resistance test condition
  - Ambient air cooling
  - Heat-sink fins are set perpendicular to the ground with temperature at 60°C.
  - Anodized aluminium extrusion
  - Heat source is applied on the opposite side (inner side) of the fins.

## Best-Nr. / Maße Product no. / Dimensions

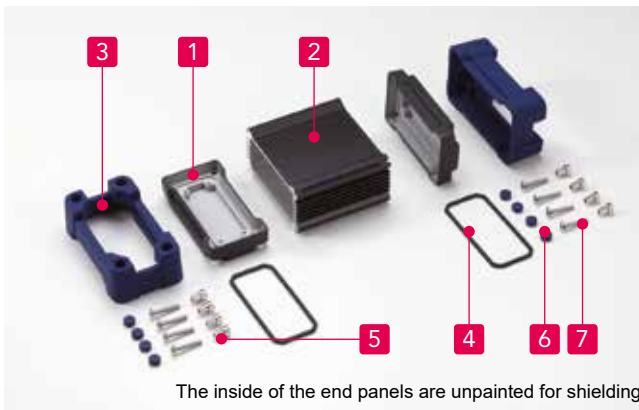
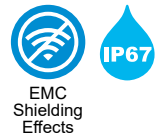
- Bitte ergänzen Sie den Farbcode am Ende der Bestell-Nr.
- Please suffix color code at the end of the product number.

Best-Nr. Product no.	W	H	D	※Wärmewiderstand (°C/W) ※Thermal resistance (°C/W)	Gewicht (g) Weight (g)
AWN 5-4- 7□□□	54.6	34.6	65	11.2	118.5
AWN 5-4- 9□□□	54.6	34.6	85	9.18	139
AWN 5-4-11□□□	54.6	34.6	110	7.64	165
AWN 5-4-14□□□	54.6	34.6	135	6.63	191.5
AWN 7-7- 8□□□	65.8	65.8	80	4.41	272.5
AWN 7-7-11□□□	65.8	65.8	110	3.5	328
AWN 7-7-15□□□	65.8	65.8	150	2.83	402.5
AWN 7-7-20□□□	65.8	65.8	200	2.33	495
AWN 7-7-25□□□	65.8	65.8	250	2.02	588
AWN 8-5- 9□□□	80.8	45.8	90	5.97	259.5
AWN 8-5-12□□□	80.8	45.8	115	5.01	300.5
AWN 8-5-14□□□	80.8	45.8	140	4.37	342
AWN 8-5-18□□□	80.8	45.8	175	3.76	399.5
AWN 9-9-10□□□	86.3	86.3	100	3.1	521.5
AWN 9-9-13□□□	86.3	86.3	125	2.63	594.5
AWN 9-9-17□□□	86.3	86.3	170	2.12	725.5
AWN 9-9-22□□□	86.3	86.3	220	1.79	871.5
AWN 9-9-28□□□	86.3	86.3	275	1.54	1,032
AWN11-6-11□□□	106.3	56.3	110	4.52	479.5
AWN11-6-15□□□	106.3	56.3	150	3.62	578
AWN11-6-19□□□	106.3	56.3	190	3.08	676.5
AWN11-6-24□□□	106.3	56.3	240	2.64	800
AWN12-8-11□□□	120	71.3	105	3.6	590.5
AWN12-8-14□□□	120	71.3	140	2.93	696.5
AWN12-8-17□□□	120	71.3	179.5	2.47	816
AWN12-8-22□□□	120	71.3	215	2.18	923.5
AWN16-9-14□□□	156.3	81.3	135	2.64	871.5
AWN16-9-18□□□	156.3	81.3	175	2.2	1,018.5
AWN16-9-23□□□	156.3	81.3	225	1.86	1,201.5
AWN16-9-28□□□	156.3	81.3	275	1.63	1,385
AWN21-9-17□□□	206.3	81.3	170	2.3	1,261
AWN21-9-21□□□	206.3	81.3	210	1.99	1,431.5
AWN21-9-26□□□	206.3	81.3	260	1.72	1,644.5
AWN21-9-31□□□	206.3	81.3	310	1.54	1,857.5



## Serie AWP mit Silikon- Protektoren - Schutzart IP67

## Series AWP with silicon protectors - protection grade IP67



### Technische Daten

Schutzklasse: IP67  
 Temperaturbereich: -40°C ~ +105°C  
 Empfohlenes Drehmoment: 1.0N  
 • m (10kgf • cm)

### Technical Data

Protection class: IP67  
 Operating temperature: -40°C ~ +105°C  
 Recommended torque: 1.0N  
 • m (10kgf • cm)

- Schlagfestes Gehäuse mit Silikonenschutz-Protektoren.
- Speziell konzipiert zur Kühlung, EMV-Schutz und Schutzklasse IP67.
- Integrierte Nuten dienen als Führung für Leiterplatten oder Montageplatten.
- Verfügbar in 30 Größen und 8 Farbvarianten, insgesamt 240 Auswahlmöglichkeiten.
- Geeignet für Messgeräte, Industriegehäuse, Kameragehäuse uvm.

- Strong impact resistant enclosure with tough silicone boot protectors.
- Specifically designed with heat dissipation effect, EMC shielding and IP67 rating.
- PCB or chassis can be horizontally mounted by sliding into an inner-grooved body frame.
- Available in 30 sizes and 8 different color combinations. Selectable from a total of 240 different combinations.
- Suitable for measuring instruments, industrial control box, industrial camera housing, etc.

### Einzelteile

Nr.	Bezeichnung	Stück	Material	Farbe / Oberfläche
1	Endplatte	2	Aluminiumdruckguss	Silber • Schwarz / lackiert
2	Profil	1	Aluminiumprofil	Silber • Schwarz / eloxiert
3	Protektor	2	Silikon	Schwarz • Grau • Navy • Gelb
4	leitfähige Dichtung	2	leitfähiges Silikon	Schwarz
5	Abstandshalter	8	Messing	vernickelt
6	Blindstopfen	8	Silikon	Schwarz • Grau • Navy • Gelb
7	Schraube	8	Edelstahl	-

### Components

No.	Part name	Pcs	Material	Color / Finish
1	End panel	2	Diecast aluminium ADC12	Silver • Black / Painted (unfinished inside)
2	Body frame	1	Extruded aluminium A6063S-T5	Silver • Black / Anodized
3	Protector	2	Silicone	Black • Gray • Navy • Yellow
4	Conductive gasket	2	Conductive silicone	Black
5	Spacer	8	Brass	Nickel plated
6	Blind cap	8	Silicone	Black • Gray • Navy • Yellow
7	Screw	8	Stainless steel	Unfinished

# Serie AWP mit Silikon- Protektoren - Schutzart IP67

# Series AWP with silicon protectors - protection grade IP67

## Farbvariante - Color Type

Code	<b>S</b> <b>B</b> Silber / Schwarz Silver / Black	<b>S</b> <b>G</b> Silber / Grau Silver / Gray	<b>S</b> <b>N</b> Silber / Navy Silver / Navy	<b>S</b> <b>Y</b> Silber / Gelb Silver / Yellow
	<b>S</b> <b>B</b> Silber / Schwarz Silver / Black	<b>S</b> <b>G</b> Silber / Grau Silver / Gray	<b>S</b> <b>N</b> Silber / Navy Silver / Navy	<b>S</b> <b>Y</b> Silber / Gelb Silver / Yellow
Color - Farbe				
Code	<b>B</b> <b>B</b> Schwarz / Schwarz Black / Black	<b>B</b> <b>G</b> Schwarz / Grau Black / Gray	<b>B</b> <b>N</b> Schwarz / Navy Black / Navy	<b>B</b> <b>Y</b> Schwarz / Gelb Black / Yellow
	<b>B</b> <b>B</b> Schwarz / Schwarz Black / Black	<b>B</b> <b>G</b> Schwarz / Grau Black / Gray	<b>B</b> <b>N</b> Schwarz / Navy Black / Navy	<b>B</b> <b>Y</b> Schwarz / Gelb Black / Yellow
Color - Farbe				

Produkt-Nr. / Product no. : AWP7-7-8

**B** **N**

Farbcode SB, SG, SN, SY, BB, BG, BN or BY.  
Color code SB, SG, SN, SY, BB, BG, BN or BY.

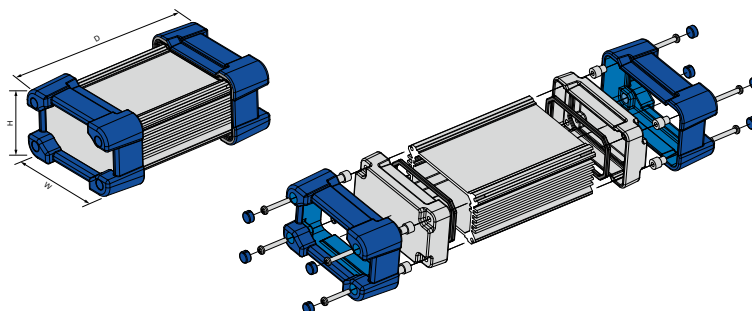
※ Thermal resistance test condition

- Ambient air cooling
- Heat-sink fins are set perpendicular to the ground with temperature at 60°C.
- Anodized aluminium extrusion
- Heat source is applied on the opposite side (inner side) of the fins.

## Best-Nr. / Maße - Product no. / Dimensions

Best-Nr. Product no.	W	H	D	※Wärmewiderstand (°C/W) ※Thermal resistance rate (°C/W)	Gewicht (g) Weight (g)
AWP 7-7- 8□□	72.4(65.8)	73.6(65.8)	104 (80)	4.41	363.5
AWP 7-7-11□□	72.4(65.8)	73.6(65.8)	134(110)	3.5	419
AWP 7-7-15□□	72.4(65.8)	73.6(65.8)	174(150)	2.83	493.5
AWP 7-7-20□□	72.4(65.8)	73.6(65.8)	224(200)	2.33	586
AWP 7-7-25□□	72.4(65.8)	73.6(65.8)	274(250)	2.02	679
AWP 8-5- 9□□	87.4(80.8)	53.6(45.8)	114 (90)	5.97	353.5
AWP 8-5-12□□	87.4(80.8)	53.6(45.8)	139(115)	5.01	394.5
AWP 8-5-14□□	87.4(80.8)	53.6(45.8)	164(140)	4.37	436
AWP 8-5-18□□	87.4(80.8)	53.6(45.8)	199(175)	3.76	493.5
AWP 9-9-10□□	93.9(86.3)	95.1(86.3)	130(100)	3.1	693
AWP 9-9-13□□	93.9(86.3)	95.1(86.3)	155(125)	2.63	766
AWP 9-9-17□□	93.9(86.3)	95.1(86.3)	200(170)	2.12	897
AWP 9-9-22□□	93.9(86.3)	95.1(86.3)	250(220)	1.79	1,043
AWP 9-9-28□□	93.9(86.3)	95.1(86.3)	305(275)	1.54	1,203.5
AWP11-6-11□□	113.9(106.3)	65.1(56.3)	140(110)	4.52	652.5
AWP11-6-15□□	113.9(106.3)	65.1(56.3)	180(150)	3.62	751.5
AWP11-6-19□□	113.9(106.3)	65.1(56.3)	220(190)	3.08	850
AWP11-6-24□□	113.9(106.3)	65.1(56.3)	270(240)	2.64	973
AWP12-8-11□□	127.6(120)	80.1(71.3)	135(105)	3.6	778.5
AWP12-8-14□□	127.6(120)	80.1(71.3)	170(140)	2.93	885
AWP12-8-17□□	127.6(120)	80.1(71.3)	209.5(179.5)	2.47	1,004.5
AWP12-8-22□□	127.6(120)	80.1(71.3)	245(215)	2.18	1,112
AWP16-9-14□□	163.9(156.3)	90.1(81.3)	165(135)	2.64	1,094
AWP16-9-18□□	163.9(156.3)	90.1(81.3)	205(175)	2.2	1,240.5
AWP16-9-23□□	163.9(156.3)	90.1(81.3)	255(225)	1.86	1,424
AWP16-9-28□□	163.9(156.3)	90.1(81.3)	305(275)	1.63	1,607.5
AWP21-9-17□□	213.9(206.3)	90.1(81.3)	202(170)	2.3	1,571.5
AWP21-9-21□□	213.9(206.3)	90.1(81.3)	242(210)	1.99	1,742
AWP21-9-26□□	213.9(206.3)	90.1(81.3)	292(260)	1.72	1,955.5
AWP21-9-31□□	213.9(206.3)	90.1(81.3)	342(310)	1.54	2,168.5

■ ( ) value = enclosure dimension.



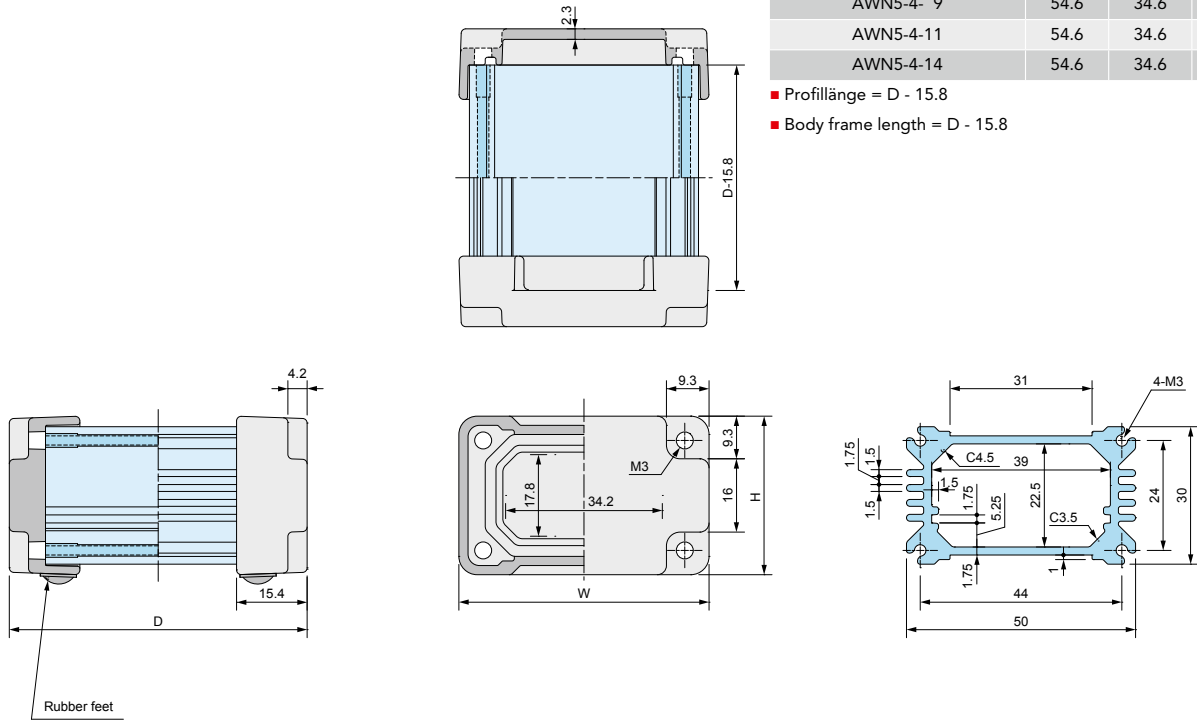
Serie AWN / AWP Maße

Series AWN / AWP dimensions

AWN5-4-□

Best-Nr. - Product no.	W	H	D
AWN5-4- 7	54.6	34.6	65
AWN5-4- 9	54.6	34.6	85
AWN5-4-11	54.6	34.6	110
AWN5-4-14	54.6	34.6	135

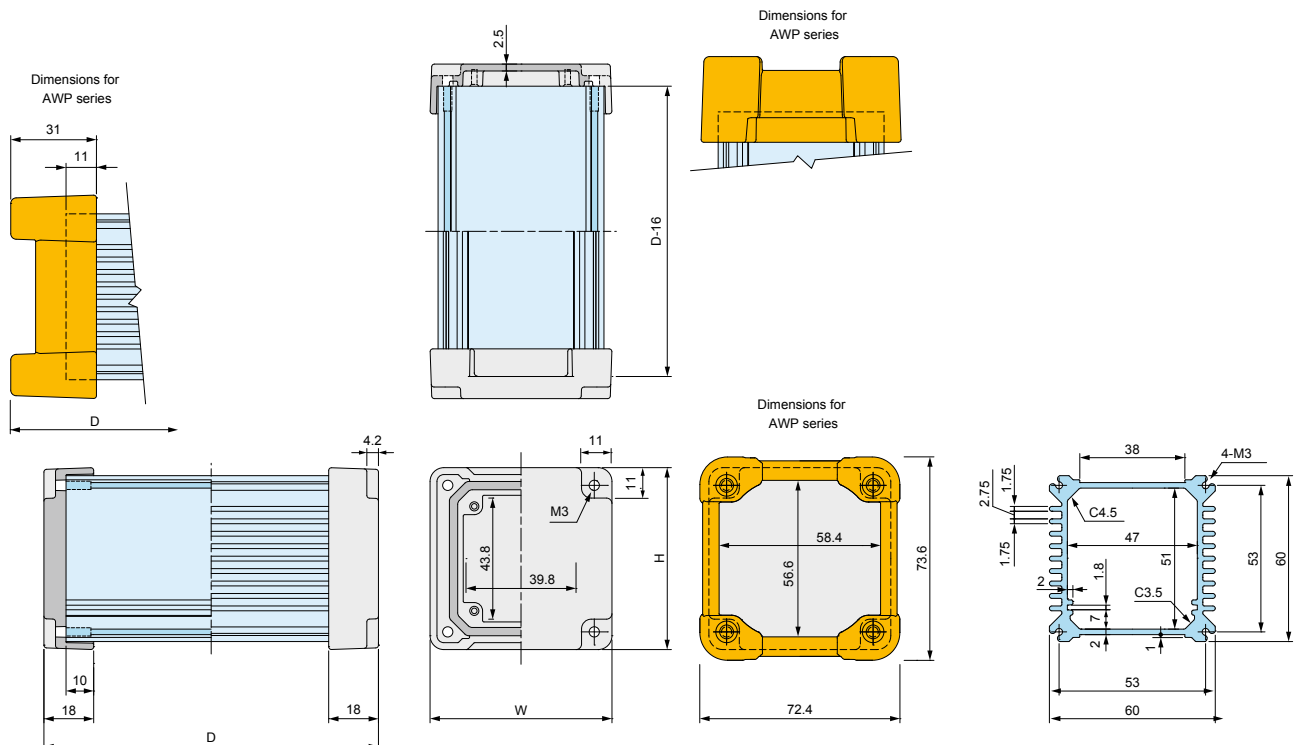
- Profillänge = D - 15.8
- Body frame length = D - 15.8



AWN / AWP7-7-□

Best-Nr. - Product no.	W	H	D
AWN / AWP7-7- 8	65.8	65.8	80 (104)
AWN / AWP7-7-11	65.8	65.8	110 (134)
AWN / AWP7-7-15	65.8	65.8	150 (174)
AWN / AWP7-7-20	65.8	65.8	200 (224)
AWN / AWP7-7-25	65.8	65.8	250 (274)

- ( ) Wert = Gehäuselänge mit Silikon-Protetktor.
- Profillänge = D - 16
- ( ) value = enclosure dimensions with silicone cover.
- Body frame length = D - 16



# Serie AWN / AWP Maße

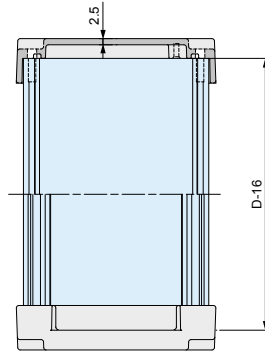
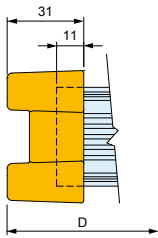
# Series AWN / AWP dimensions

Best-Nr. - Product no.	W	H	D
AWN / AWP 8-5- 9	80.8	45.8	90 (114)
AWN / AWP 8-5-12	80.8	45.8	115 (139)
AWN / AWP 8-5-14	80.8	45.8	140 (164)
AWN / AWP 8-5-18	80.8	45.8	175 (199)

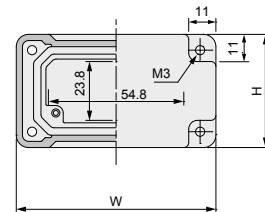
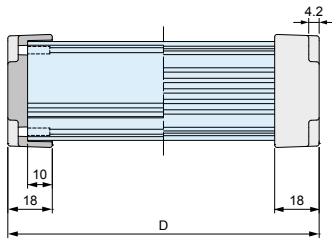
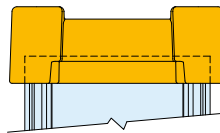
## AWN / AWP8-5-□

- ( ) Wert = Gehäuselänge mit Silikon-Protector.
- Profillänge = D - 16
- ( ) value = enclosure length with silicone cover.
- Body frame length = D - 16

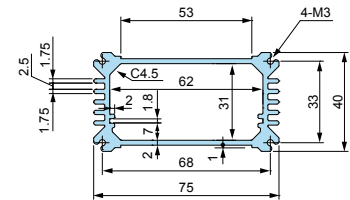
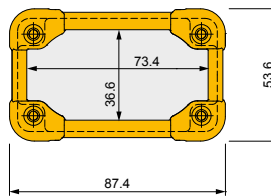
Dimensions for AWP series



Dimensions for AWP series



Dimensions for AWP series

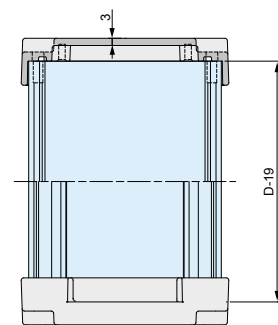
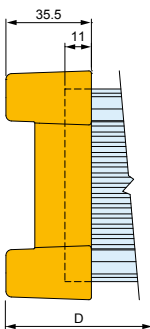


Best-Nr. - Product no.	W	H	D
AWN / AWP 9-9-10	86.3	86.3	100 (130)
AWN / AWP 9-9-13	86.3	86.3	125 (155)
AWN / AWP 9-9-17	86.3	86.3	170 (200)
AWN / AWP 9-9-22	86.3	86.3	220 (250)
AWN / AWP 9-9-28	86.3	86.3	275 (305)

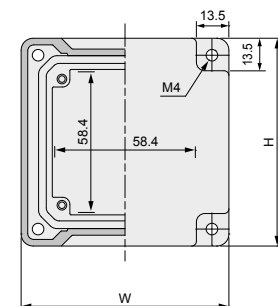
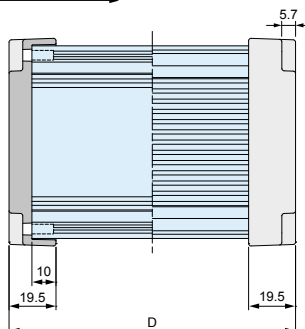
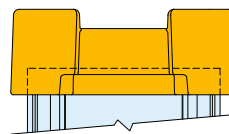
## AWN / AWP9-9-□

- ( ) Wert = Gehäuselänge mit Silikon-Protector.
- Profillänge = D - 19
- ( ) value = enclosure length with silicone cover.
- Body frame length = D - 19

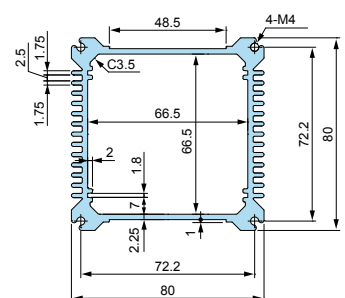
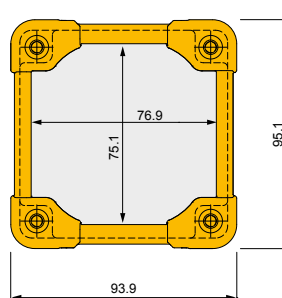
Dimensions for AWP series



Dimensions for AWP series



Dimensions for AWP series



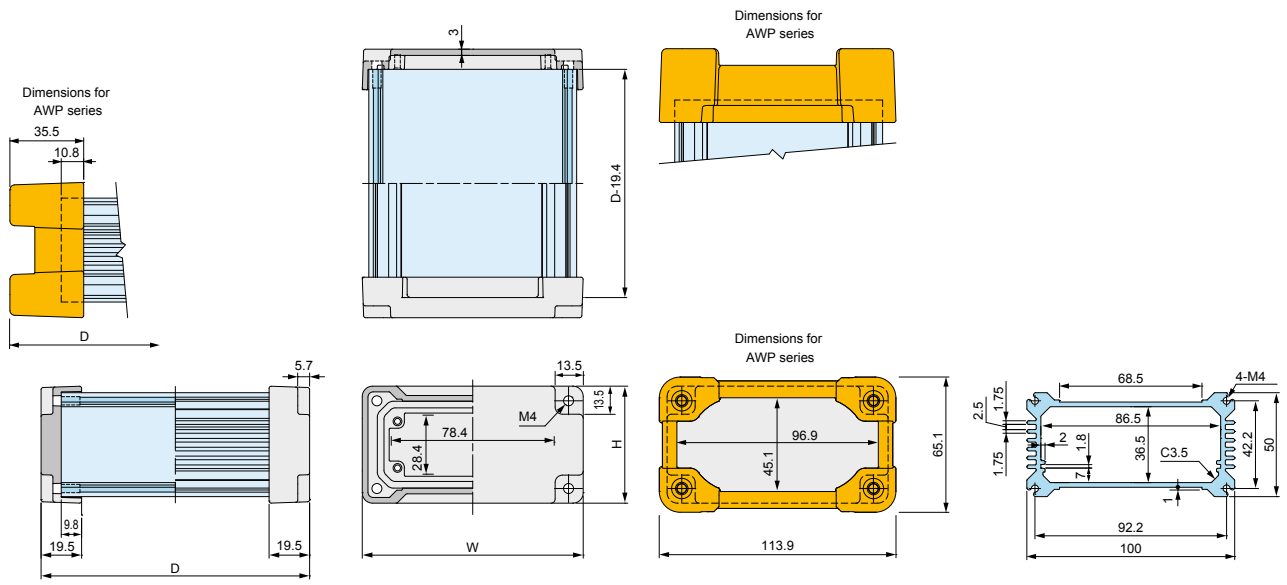
# Serie AWN / AWP Maße

# Series AWN / AWP dimensions

## AWN / AWP11-6-□

Best-Nr. - Product no.	W	H	D
AWN / AWP11-6-11	106.3	56.3	110 (140)
AWN / AWP11-6-15	106.3	56.3	150 (180)
AWN / AWP11-6-19	106.3	56.3	190 (220)
AWN / AWP11-6-24	106.3	56.3	240 (270)

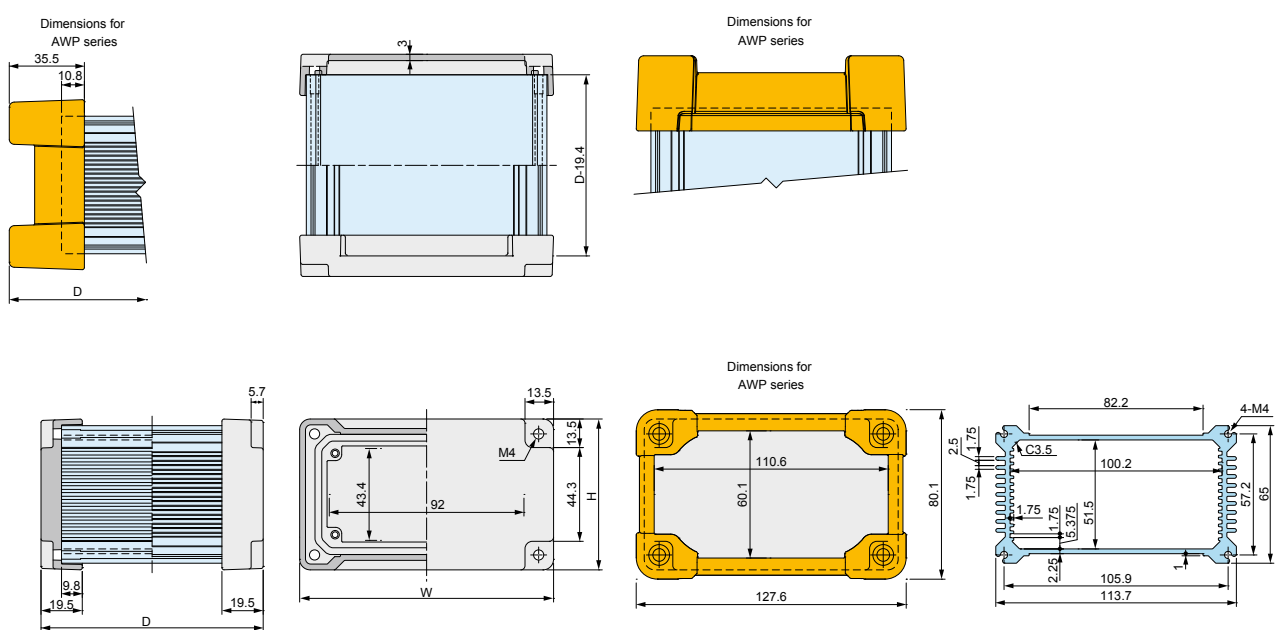
- ( ) Wert = Gehäuselänge mit Silikon-Protector.
- Profillänge = D - 19,4
- ( ) value = enclosure length with silicone cover.
- Body frame length = D - 19.4



## AWN / AWP12-8-□

Best-Nr. - Product no.	W	H	D
AWN / AWP12-8-11	120	71.3	105 (135)
AWN / AWP12-8-14	120	71.3	140 (170)
AWN / AWP12-8-17	120	71.3	179.5 (209.5)
AWN / AWP12-8-22	120	71.3	215 (245)

- ( ) Wert = Gehäuselänge mit Silikon-Protector.
- Profillänge = D - 16
- ( ) value = enclosure length with silicone cover.
- Body frame length = D - 19.4



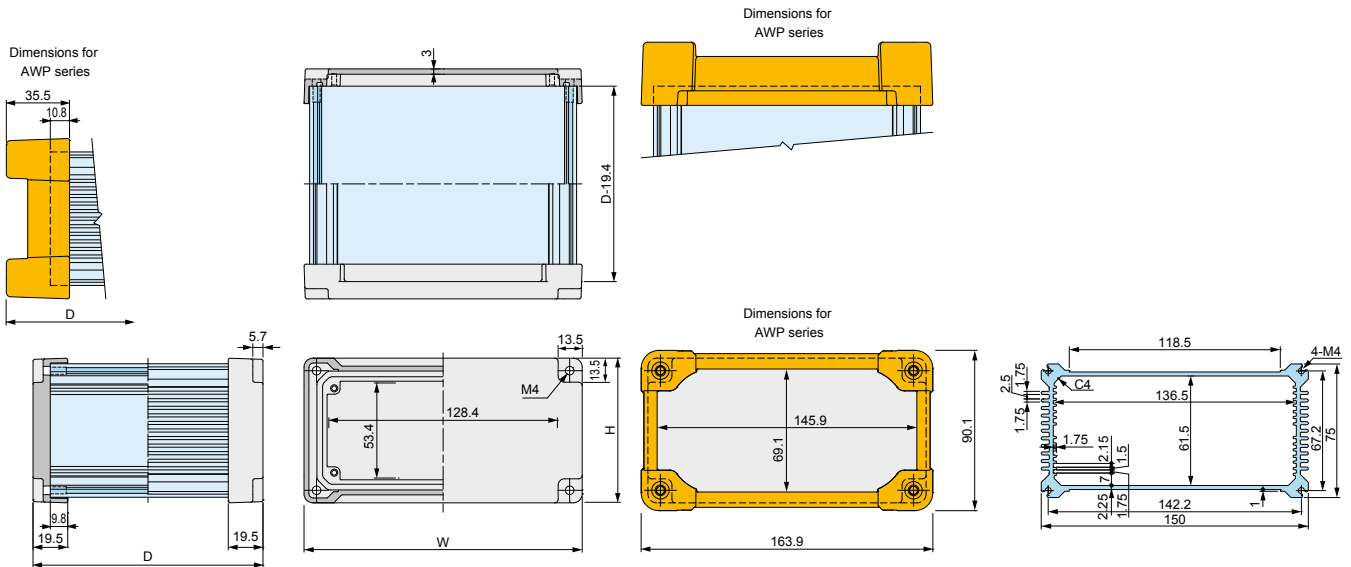
# Serie AWN / AWP Maße

# Series AWN / AWP dimensions

## AWN / AWP16-9-□

Best-Nr. - Product no.	W	H	D
AWN / AWP16-9-14	156.3	81.3	135 (165)
AWN / AWP16-9-18	156.3	81.3	175 (205)
AWN / AWP16-9-23	156.3	81.3	225 (255)
AWN / AWP16-9-28	156.3	81.3	275 (305)

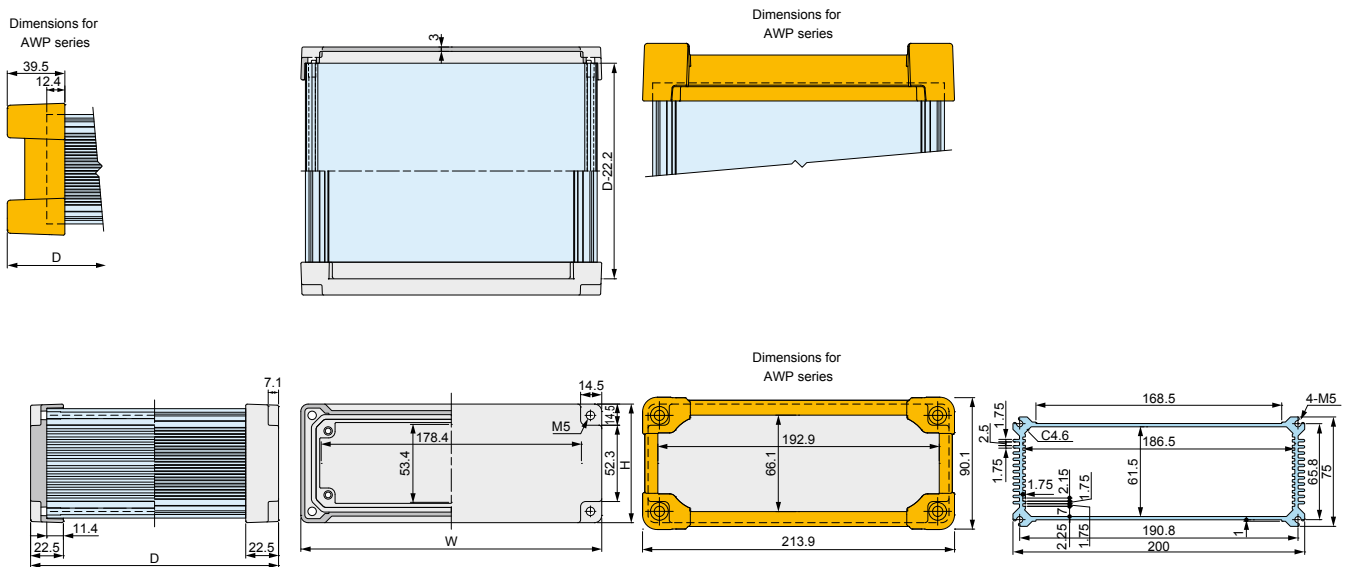
- ( ) Wert = Gehäuselänge mit Silikon-Protector.
- Profilänge = D - 19.4
- ( ) value = enclosure length with silicone cover.
- Body frame length = D - 19.4



## AWN / AWP21-9-□

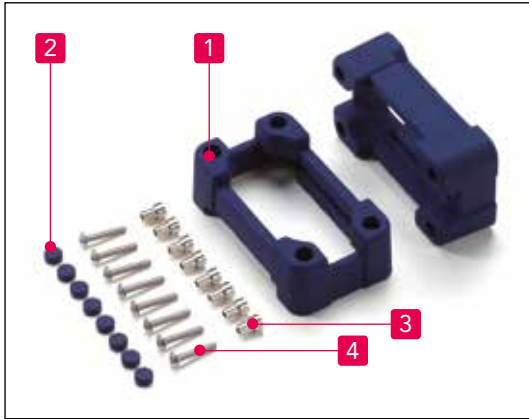
Best-Nr. - Product no.	W	H	D
AWN / AWP21-9-17	206.3	81.3	170 (202)
AWN / AWP21-9-21	206.3	81.3	210 (242)
AWN / AWP21-9-26	206.3	81.3	260 (292)
AWN / AWP21-9-31	206.3	81.3	310 (342)

- ( ) Wert = Gehäuselänge mit Silikon-Protector.
- Profilänge = D - 22.2
- ( ) value = enclosure length with silicone cover.
- Body frame length = D - 22.2



## Serie AWSP Silikonschutz

## Series AWSP Silicone Protector



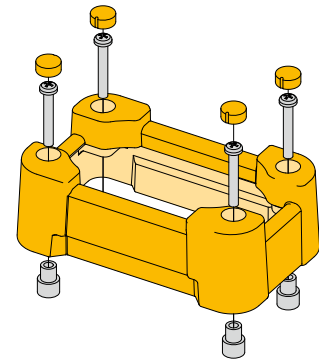
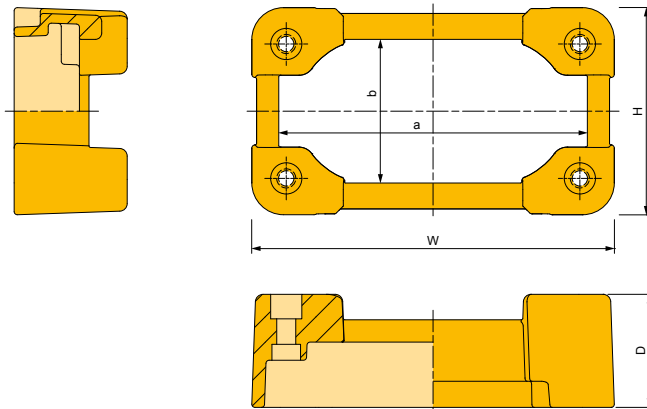
### Farbvariante - Color Type

Code	B Schwarz B Black	G Grau G Gray	N Navy N Navy	Y Gelb Y Yellow
Farbe - Color				

- Silikonschutz für Serie AWN.
- Schützt Schalter und/oder Steckverbindungen in den Deckelplatten bei einem Sturz.
- Silicone protector for AWN series.
- Protect switches and/or connectors on end panels from impact when dropped, etc.

## AWSP Maße

## AWSP dimensions



### Einzelteile

Nr.	Bezeichnung	Stück	Material	Farbe / Oberfläche
1	Protector	2	Silikon	Schwarz • Grau • Navy • Gelb
2	Blindstopfen	8	Silikon	Schwarz • Grau • Navy • Gelb
3	Abstandshalter	8	Messing	vernickelt
4	Schraube	8	Edelstahl	-

### Components

No.	Part name	Pcs	Material	Color / Finish
1	Protector	2	Silicone	Black • Gray • Navy • Yellow
2	Blind cap	8	Silicone	Black • Gray • Navy • Yellow
3	Spacer	8	Brass	Nickel plated
4	Screw	8	Stainless steel	Unfinished

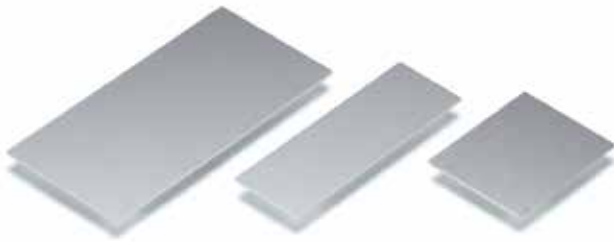
### Best-Nr. / Maße Product no. / Dimensions

- Bitte ergänzen Sie den Farbcode am Ende der Bestell-Nr.
- Please suffix color code at the end of the product number.

Best-Nr. Product no.	W	H	D	a	b	Schraubengr. Screw size	Passendes Gehäuse Suitable enclosure	Gewicht (g) Weight (g)
AWSP 7-7□	72.4	73.6	31	58.4	56.6	M3	AWN 7-7-□	99
AWSP 8-5□	87.4	53.6	31	73.4	36.6	M3	AWN 8-5-□	100.5
AWSP 9-9□	93.9	95.1	35.5	76.9	75.1	M4	AWN 9-9-□	184.5
AWSP11-6□	113.9	65.1	35.5	96.9	45.1	M4	AWN11-6-□	186
AWSP12-8□	127.6	80.1	35.5	110.6	60.1	M4	AWN12-8-□	201
AWSP16-9□	163.9	90.1	35.5	145.9	69.1	M4	AWN16-9-□	235
AWSP21-9□	213.9	90.1	39.5	192.9	66.1	M5	AWN21-9-□	333

## Serie AWC Montageplatte aus Aluminium

## Series AWC Aluminium Mounting Plate



### APPLICATION EXAMPLE

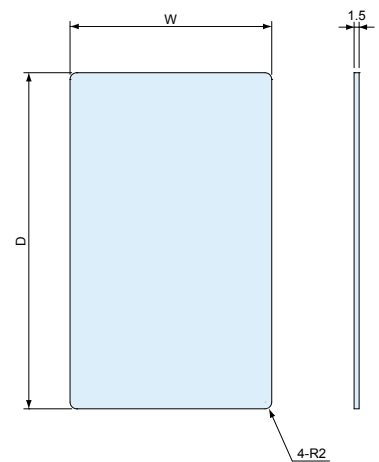


- Material: Aluminium A1050P t=1.5 / silber eloxiert.
- Montageplatte für Serien AW, AWN, and AWP.
- Geeignet für Montage und Leiterplatten, Netzteilen uvm.

- Material: Aluminium A1050P t=1.5 / silver anodized
- Mounting plate for AW, AWN, and AWP series enclosures.
- Utilize for mounting PCB, power supply, terminal blocks, etc.

### Best-Nr. / Maße - Product no. / Dimensions

Best-Nr. - Product no.	W	D	Passendes Gehäuse - Suitable enclosure
AWC 5- 7	38.9	49.2	AW • AWN 5-4-7
AWC 5- 9	38.9	69.2	AW • AWN 5-4-9
AWC 5-11	38.9	94.2	AW • AWN 5-4-11
AWC 5-14	38.9	119.2	AW • AWN 5-4-14
AWC 7- 8	47	64	AW • AWN • AWP 7-7-8
AWC 7-11	47	94	AW • AWN • AWP 7-7-11
AWC 7-15	47	134	AW • AWN • AWP 7-7-15
AWC 7-20	47	184	AW • AWN • AWP 7-7-20
AWC 7-25	47	234	AW • AWN • AWP 7-7-25
AWC 8- 9	61.8	74	AW • AWN • AWP 8-5-9
AWC 8-12	61.8	99	AW • AWN • AWP 8-5-12
AWC 8-14	61.8	124	AW • AWN • AWP 8-5-14
AWC 8-18	61.8	159	AW • AWN • AWP 8-5-18
AWC 9-10	66.5	81	AW • AWN • AWP 9-9-10
AWC 9-13	66.5	106	AW • AWN • AWP 9-9-13
AWC 9-17	66.5	151	AW • AWN • AWP 9-9-17
AWC 9-22	66.5	201	AW • AWN • AWP 9-9-22
AWC 9-28	66.5	256	AW • AWN • AWP 9-9-28
AWC11-11	86.5	90.6	AW • AWN • AWP11-6-11
AWC11-15	86.5	130.6	AW • AWN • AWP11-6-15
AWC11-19	86.5	170.6	AW • AWN • AWP11-6-19
AWC11-24	86.5	220.6	AW • AWN • AWP11-6-24
AWC12-11	100.2	85.6	AW • AWN • AWP12-8-11
AWC12-14	100.2	120.6	AW • AWN • AWP12-8-14
AWC12-17	100.2	160.1	AW • AWN • AWP12-8-17
AWC12-22	100.2	195.6	AW • AWN • AWP12-8-22
AWC16-14	136.3	115.6	AW • AWN • AWP16-9-14
AWC16-18	136.3	155.6	AW • AWN • AWP16-9-18
AWC16-23	136.3	205.6	AW • AWN • AWP16-9-23
AWC16-28	136.3	255.6	AW • AWN • AWP16-9-28
AWC21-17	186.1	147.8	AW • AWN • AWP21-9-17
AWC21-21	186.1	187.8	AW • AWN • AWP21-9-21
AWC21-26	186.1	237.8	AW • AWN • AWP21-9-26
AWC21-31	186.1	287.8	AW • AWN • AWP21-9-31



## Serie HCS Innensechskantschraube

## Series HCS Hexagon Socket Head Screw

- Innensechskantschraube zur Befestigung der Deckelplatten.
- Manipulationssicher und schlichtes Design.
- Hexagon socket head screws for fastening the end panels of AW and AWN enclosures.
- Utilize for tamper-resistance functionality or for an elegant sleek look.

### Best-Nr. / Maße - Product no. / Dimensions

Best-Nr. Product no.	M	L	S	Material	VPE Pack of
HCS3-12S	3	12	2.5	Edelstahl	8
HCS3-12S	3	12	2.5	Stainless steel	8
HCS4-12S	4	12	3	Edelstahl	8
HCS4-12S	4	12	3	Stainless steel	8
HCS5-12S	5	12	4	Edelstahl	8
HCS5-12S	5	12	4	Stainless steel	8

